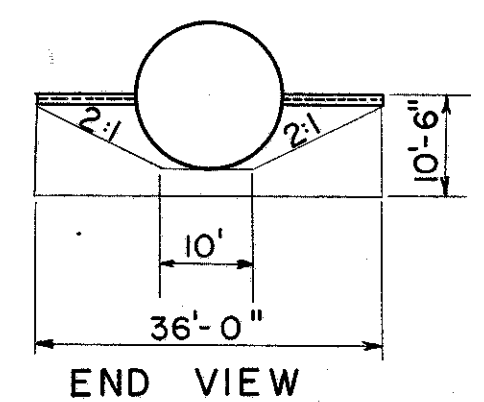
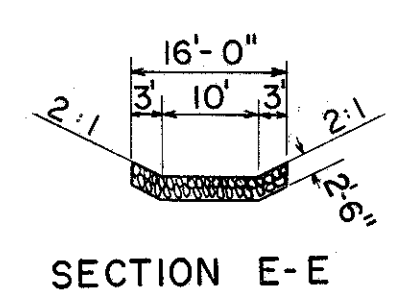
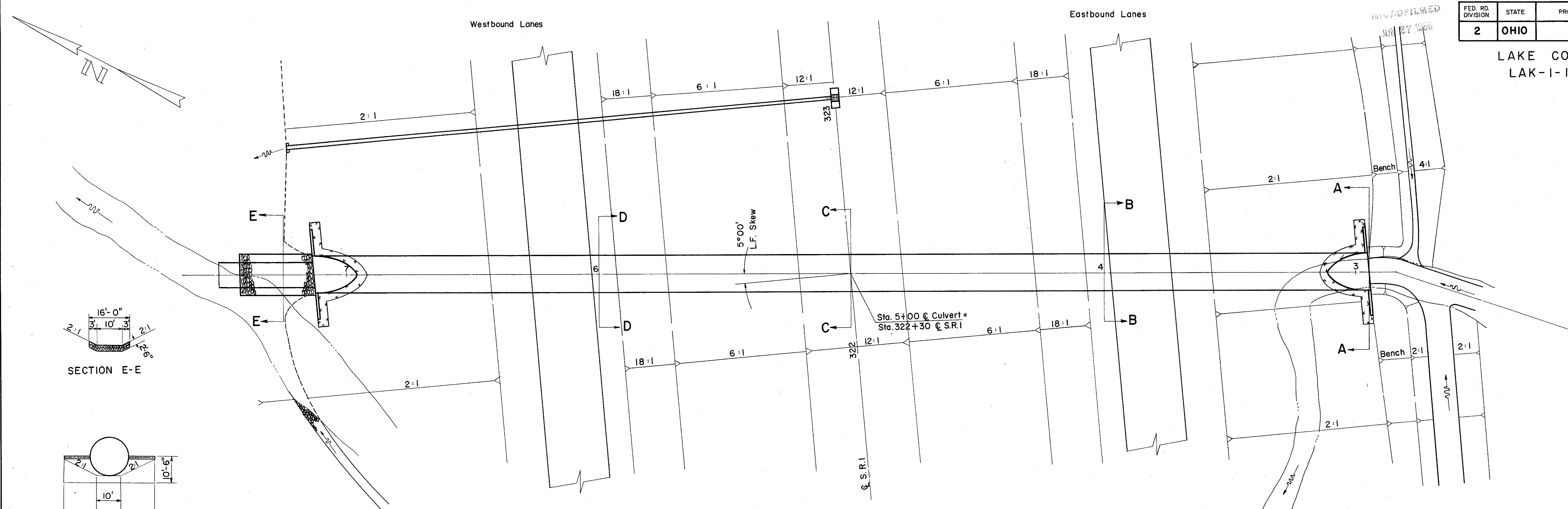


LAKE COUNTY
LAK-1-1038



S.P. 53 HEADWALL
For further details, see Standard Drawing No. S.P. 53.

AREA = 3650 ACRES
Q₅₀ = 1100 C.F.S.

SCALE: 1" = 20'

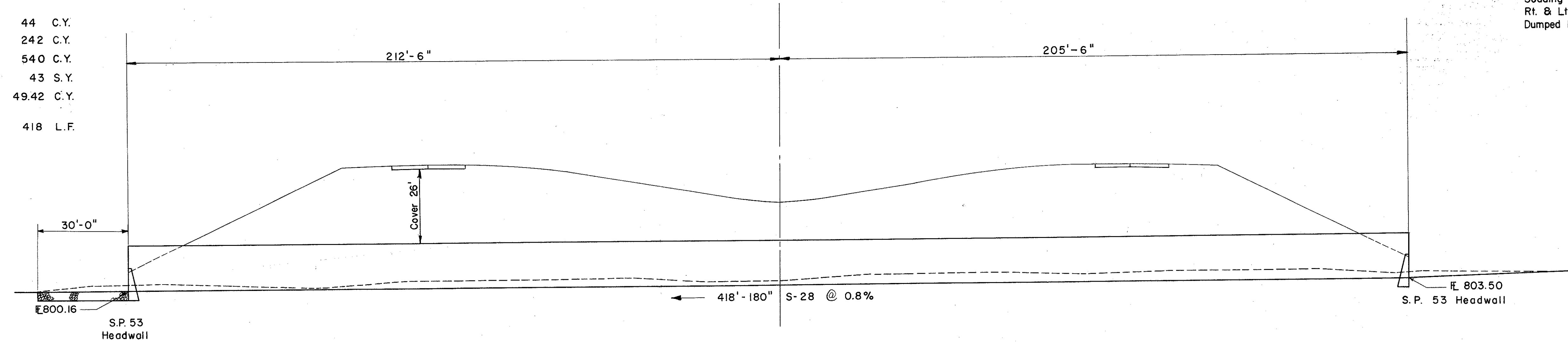
HEADWATER = 10.5 FT.
OUTLET VELOCITY = 11.6 F.P.S.

CULVERT DATA
TYPE: S-28 Sec. M-6.4(g) I-1 Ga.
SIZE: 48" x 180"
WORK REQ'D: Build a Pipe Culvert with SP 53 Headwalls. Place Sodding and Excavate Channel Rt. & Lt. as shown. Place Dumped Rock at Outlet.

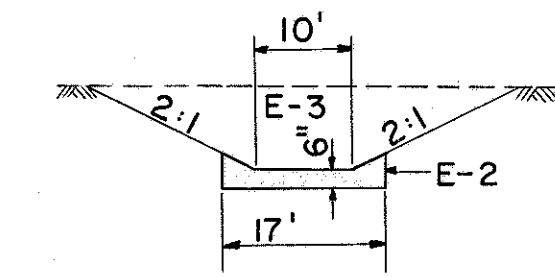
ESTIMATED QUANTITIES

I-10	Dumped Rock Channel Protection	44	C.Y.
*E-2	Excavation for Structures	242	C.Y.
E-3	Channel Excavation	540	C.Y.
L-10	Sodding	43	S.Y.
S-1	Concrete for Structures Class "E"	49.42	C.Y.
S-28	180" Sectional Corrugated Metal Structures Sec. M-6.4(g) I-1 Gage	418	L.F.

* Includes Excavation for Headwalls



SEC. A-A	C=23 SQ.FT.	SEC. B-B	C=46 SQ.FT.	SEC. C-C	C=24 SQ.FT.	SEC. D-D	C=33 SQ.FT.	SEC. E-E	C=27 SQ.FT.
Sta. 2+94.5		Sta. 4+00		Sta. 5+00		Sta. 6+00		Sta. 7+25	



METHOD OF ESTIMATING E-2, EXCAVATION FOR STRUCTURES

STRUCTURE NO. LAK-1-1279

PIPE CULVERT STA. 322 + 30