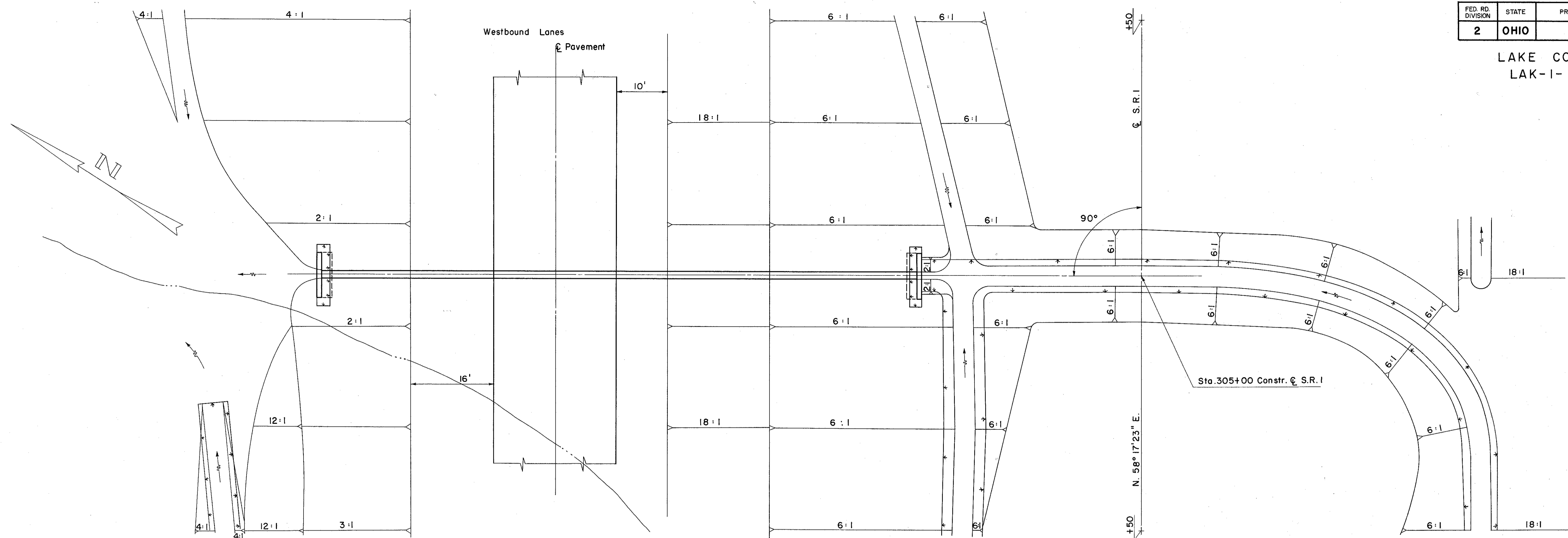


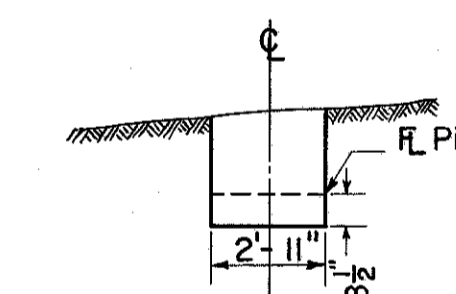
LAKE COUNTY
LAK-1-1038



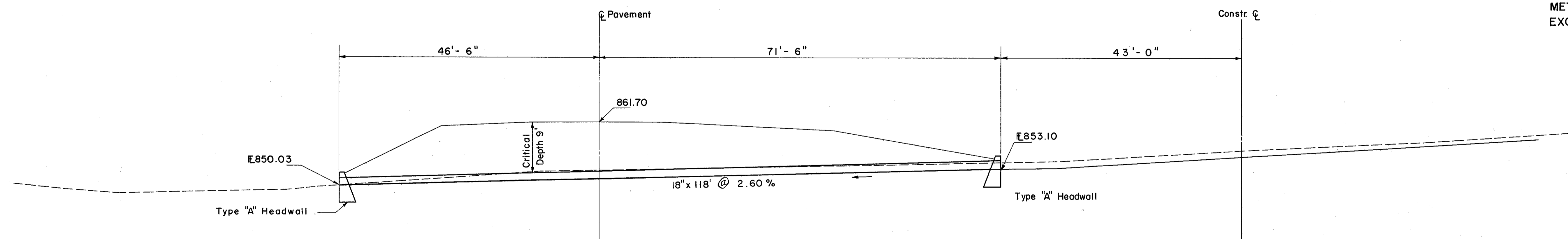
HEADWATER 1.80 FT.
OUTLET VELOCITY 98 F.P.S.

SCALE: 1" = 10'

AREA 3.7 ACRES
Q₅₀ 8.3 C.F.S.



METHOD OF ESTIMATING E-2,
EXCAVATION FOR STRUCTURES



ESTIMATED QUANTITIES

* E-2	Excavation for Structures	39 Cu.Yd.
S-1	Concrete for Structures Class "C"	6.2 Cu.Yd.
S-27	18" Pipe for Roadway Culverts Sec. M-6.6 (b) or Sec. M-6.8 (b)	118 L.F.
L-10	Sodding	5 Sq.Yd.
S-4	Reinforcing Steel	2.92 Lbs.

* Includes Excavation for Headwall

CULVERT DATA

TYPE: Pipe Culvert S-27 Sec. M-6.6(b)
or Sec. M-6.8(b)

SIZE: 18" x 118"

WORK REQUIRED: Build a Pipe Culvert with
Type "A" Headwalls and sodding Lt.
and Rt. as shown.

STRUCTURE NO. LAK.-1-1249

PIPE CULVERT STA. 305+00