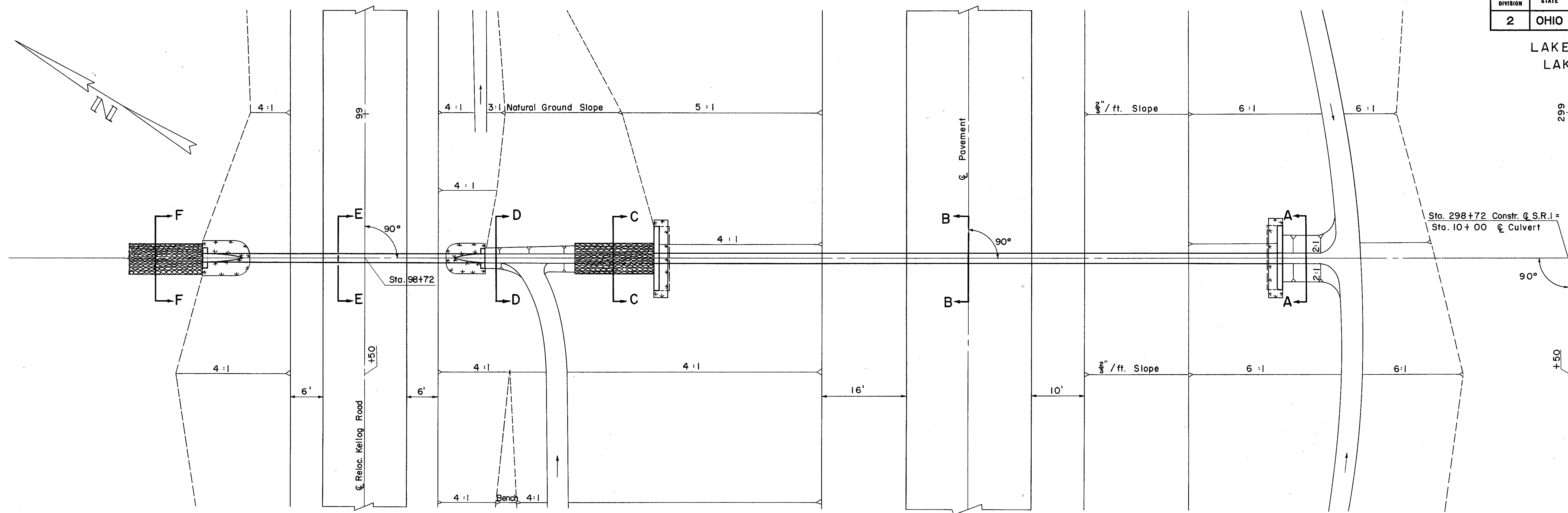


LAKE COUNTY
LAK-1-1038



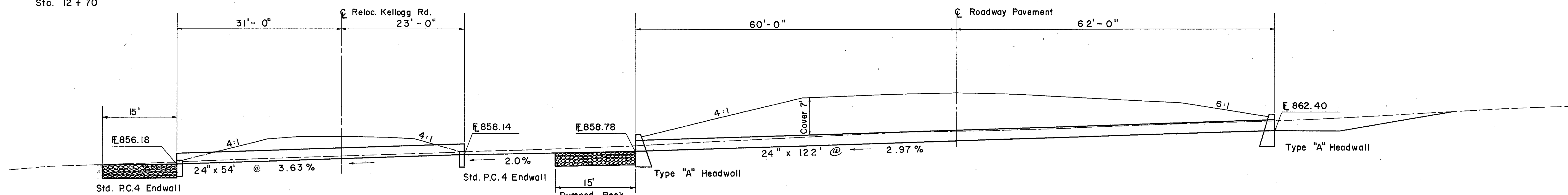
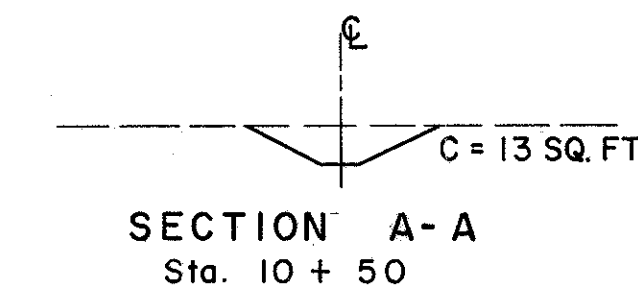
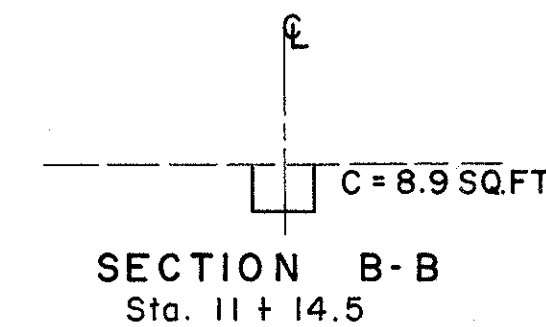
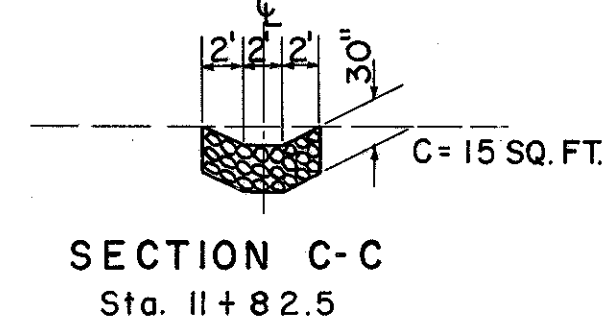
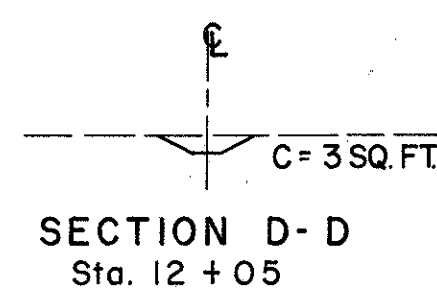
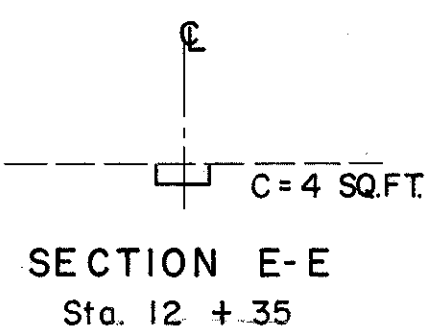
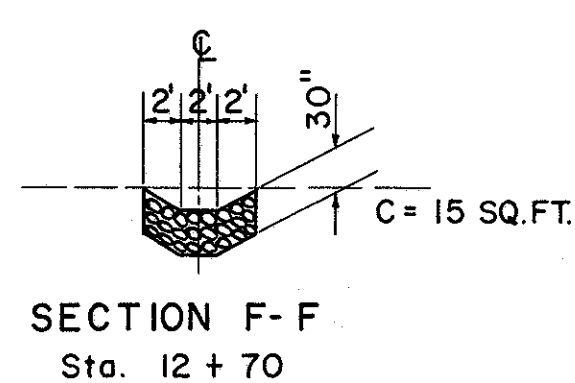
HEADWATER = 2.4 FT.
OUTLET VELOCITY = 10.8 FPS.

AREA = 5.6 ACRES
Q₂₅ = 18 C.F.S.

HEADWATER = 2.3 FT.
OUTLET VELOCITY = 11.0 FPS.

AREA = 4.6 ACRES
Q₅₀ = 17 C.F.S.

SCALE: 1" = 10'



ESTIMATED QUANTITIES

* E-2	Excavation for Structures	11 C.Y.
L-10	Sodding	8 S.Y.
S-1	Concrete for Structures Class "E"	0.82 C.Y.
S-27	24" Pipe for Roadway Culverts Sec. M-6.6 (b) or Sec. M-6.8 (b)	54 L.F.
I-10	Dumped Rock Channel Protection	8 C.Y.

*Includes Excavation for Headwalls

CULVERT DATA

TYPE: Pipe Culvert with P.C. 4 Endwalls
S-27 M-6.6 (b) or M-6.8 (b)
SIZE: 24" x 54"
WORK REQ'D. Build a Pipe Culvert with
P.C. 4 Endwalls and Sodding Lt.
and Rt. as shown. Place Dumped
Rock on Lt. as shown.

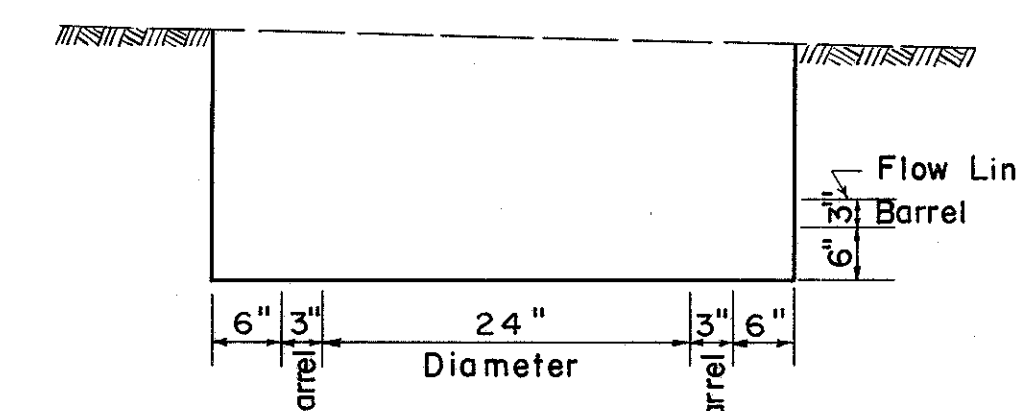
ESTIMATED QUANTITIES

* E-2	Excavation for Structures	49 C.Y.
S-1	Concrete for Structures Class "C"	10.5 C.Y.
S-27	24" Pipe for Roadway Culverts Sec. M-6.6 (b) or M-6.8 (b)	122 L.F.
L-10	Sodding	6 S.Y.
E-3	Channel Excavation	8 C.Y.
S-4	Reinforcing Steel	436 Lbs.
I-10	Dumped Rock Channel Protection	8 C.Y.

*Includes Excavation for Headwalls

CULVERT DATA

TYPE: Pipe Culvert S-27 M-6.6(b) or M-6.8(b)
SIZE: 24" x 122"
WORK REQ'D. Build a Pipe Culvert with
Type "A" Headwalls and Sodding
Rt. & Lt. as shown. Place Dumped
Rock on Lt. as shown.



METHOD OF ESTIMATING E-2,
EXCAVATION FOR STRUCTURES