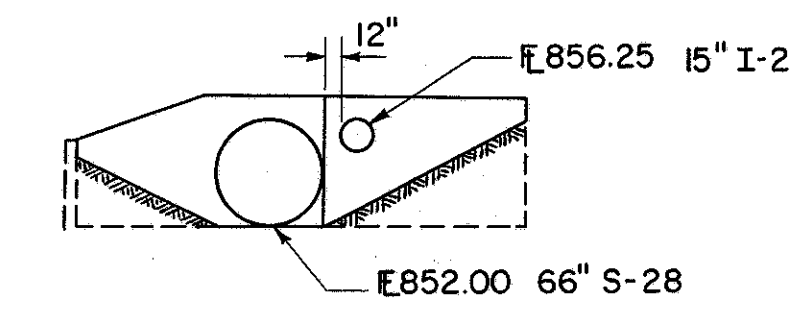
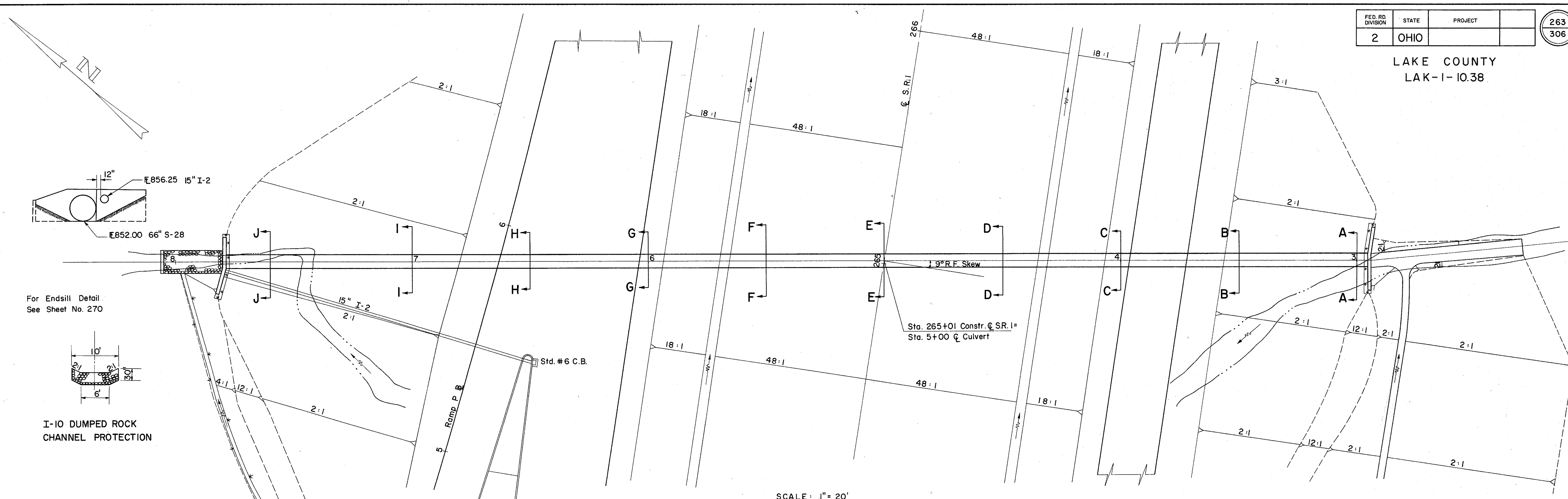
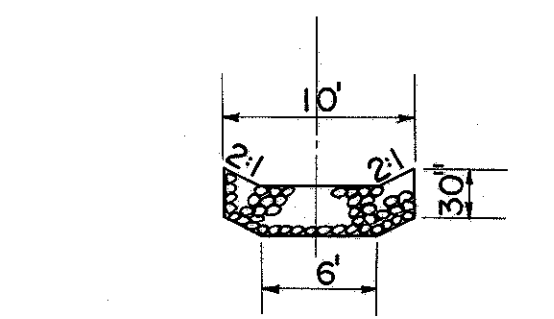


LAKE COUNTY  
LAK-1-10.38



For Endsill Detail  
See Sheet No. 270

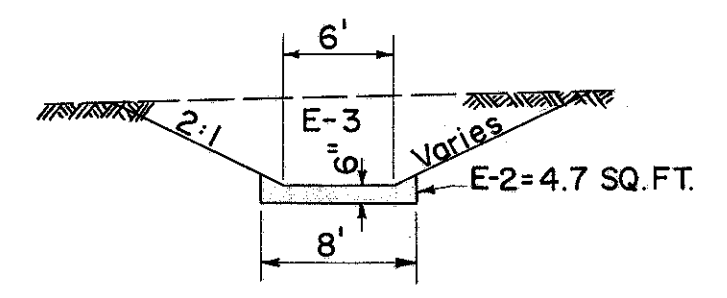


I-10 DUMPED ROCK  
CHANNEL PROTECTION

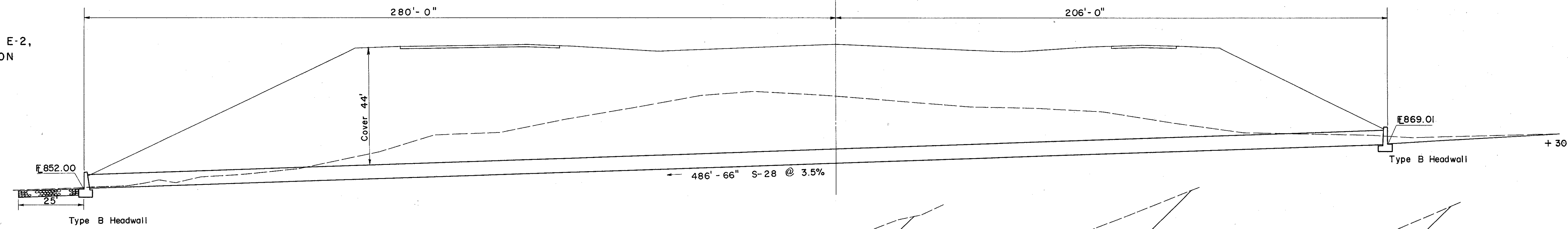
SCALE: 1" = 20'

AREA = 250 ACRES  
Q50 = 254 C.F.S.

HEADWATER = 8.25 FT.  
OUTLET VELOCITY = 14.5 F.P.S.



METHOD OF ESTIMATING E-2,  
STRUCTURE EXCAVATION

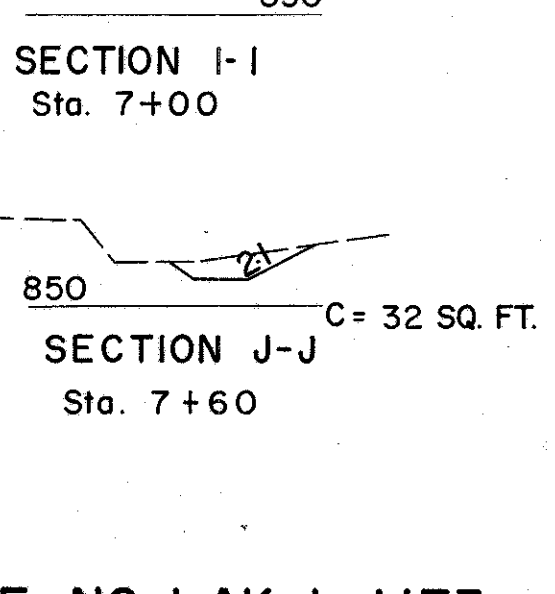
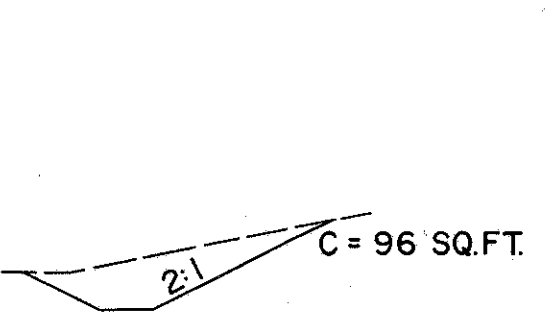
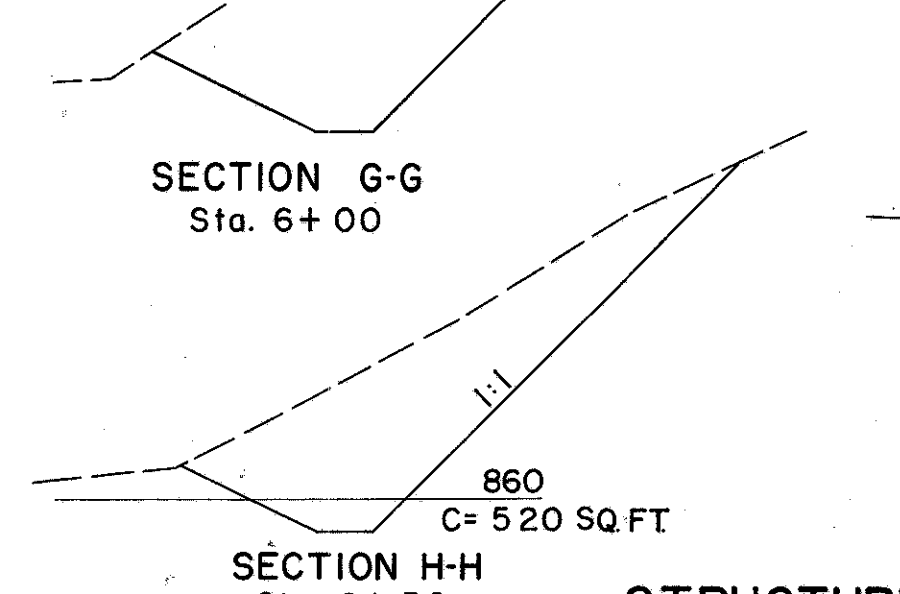
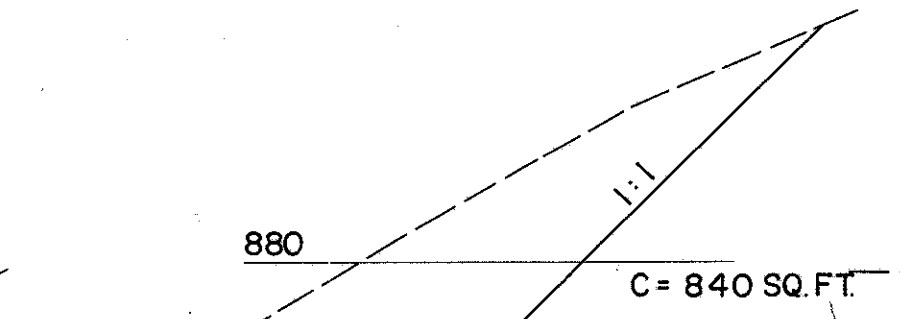
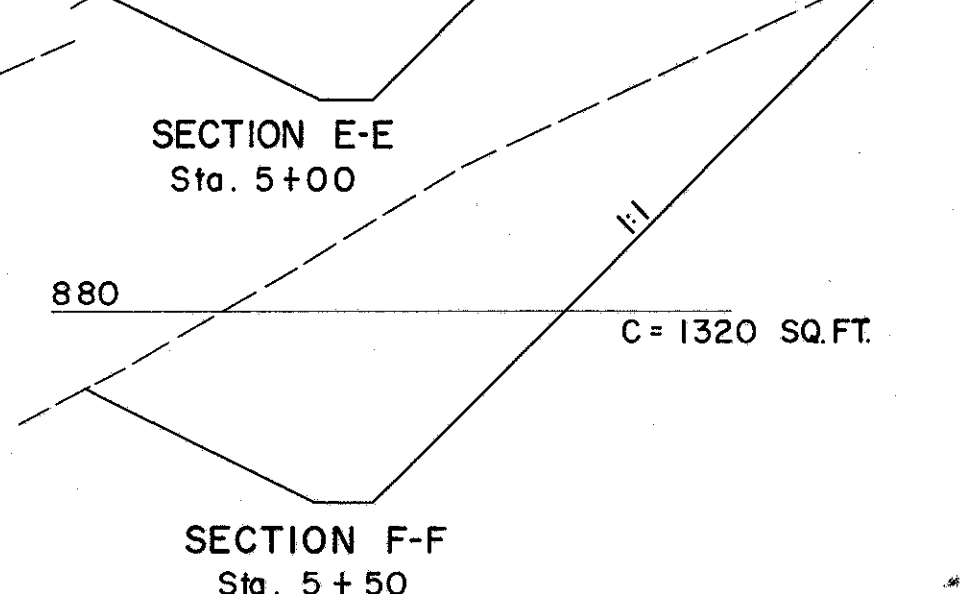
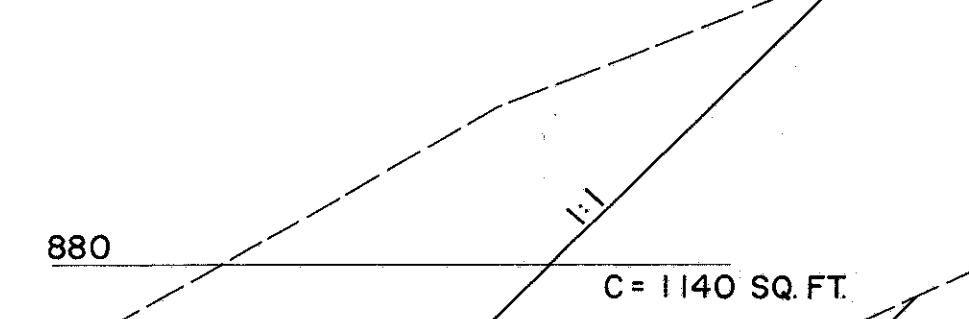
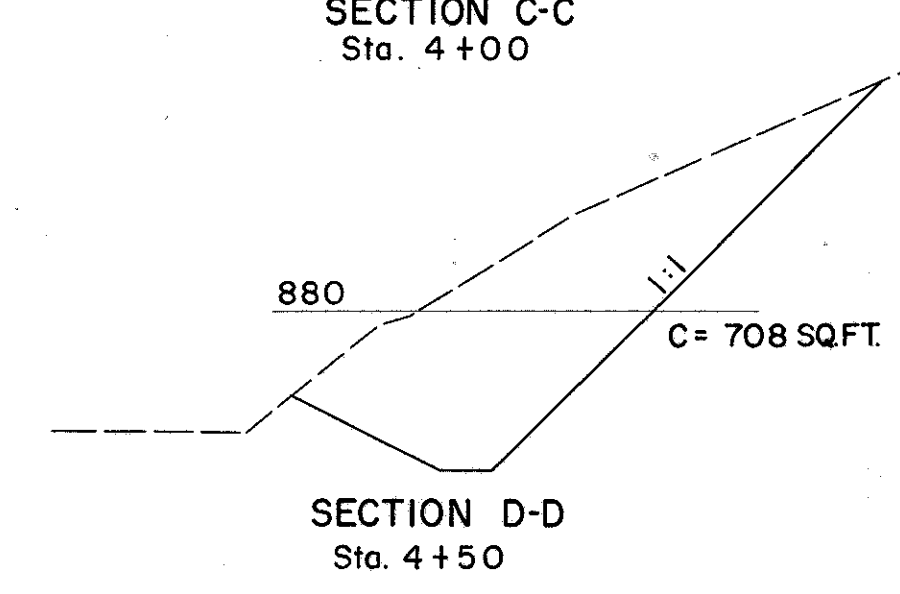
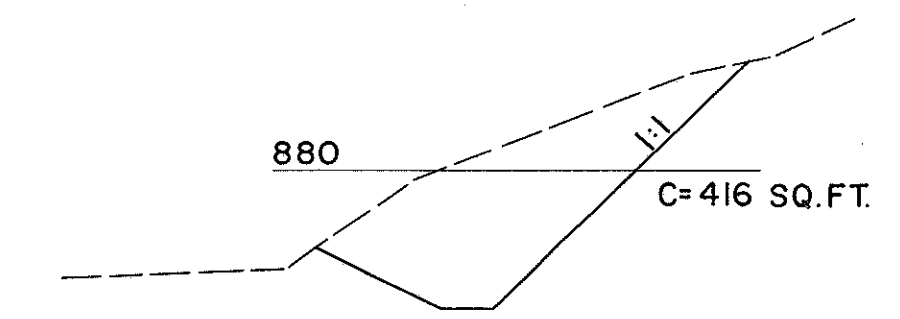
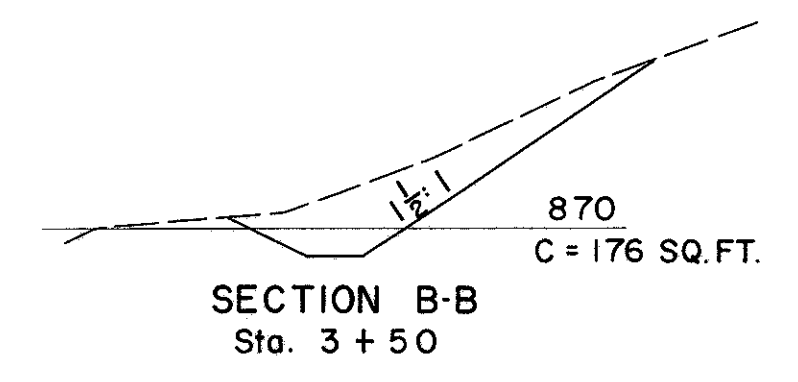
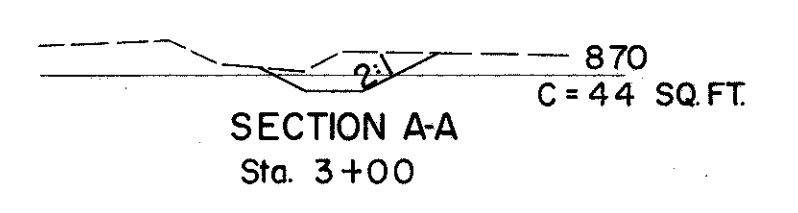


**CULVERT DATA**  
TYPE: S-28 Sec. M-6.4(g) 10-8 Gage  
SIZE: 486'x 66"  
WORK REQ'D: Build a pipe culvert with Type "B" Headwalls and Sodding Rt. & Lt. as shown. Excavate Channel on Rt. and place dumped rock at Outlet as shown.

**ESTIMATED QUANTITIES**

*E-2	Excavation for Structures	139 C.Y.
E-3	Channel Excavation	9837 C.Y.
I-10	Dumped Rock Channel Protection	23 C.Y.
L-10	Sodding	11 S.Y.
S-1	Concrete for Structures Class "C"	490 C.Y.
S-1	Concrete for Structures Class "E"	1.37 C.Y.
S-4	Reinforcing Steel	2111 LBS.
S-28	66" Sectional Corrugated Metal Structures Sec. M-6.4(g) 10-8 Gage	486 L.F.

\*Includes Excavation for Headwalls



STRUCTURE NO. LAK-1-1173

PIPE CULVERT STA. 265+01