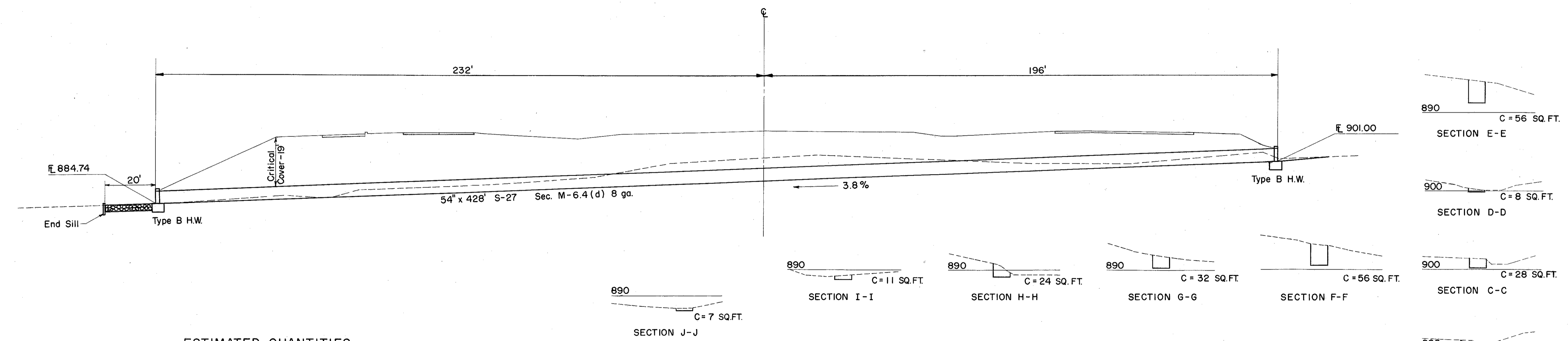


AREA = 140 ACRES
Q₅₀ = 160 C.F.S.

HEADWATER = 7.3 FT.
OUTLET VELOCITY = 16.0 F.P.S.



ESTIMATED QUANTITIES

* E-2	Excavation for Structures	510 C.Y.
E-3	Channel Excavation	6 C.Y.
S-1	Conc. for Structures Class "C"	323 C.Y.
S-1	Conc. for Structures Class "E"	192 C.Y.
S-4	Reinforcing Steel	1382 LBS.
L-10	Sodding	9 S.Y.
I-10	Dumped Rock Channel Protection	23 C.Y.
S-27	54" Pipe for Rdwy. Culverts Sec. M-6.4 (d) 8 Ga.	428 L.F.

* Includes Excavation for Headwalls

CULVERT DATA

TYPE: Pipe Culvert, Type "B" and S-27.
SIZE: 54" x 428'
WORK REQ'D: Build a pipe culvert with Type B Headwalls, with Dumped Rock Lt., Sodding Rt. and Lt. as shown, Excavate Channel Rt.