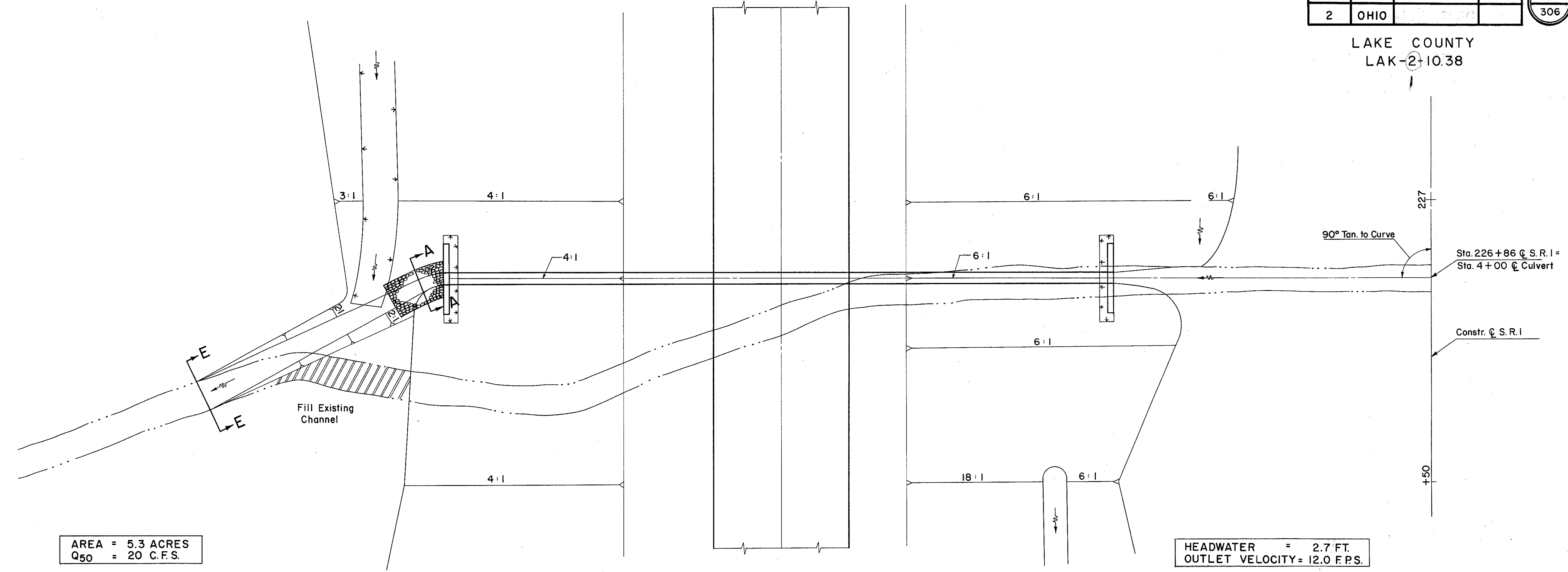


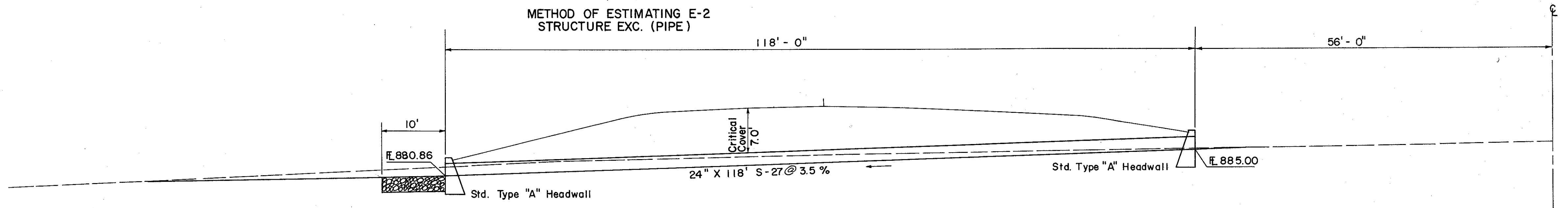
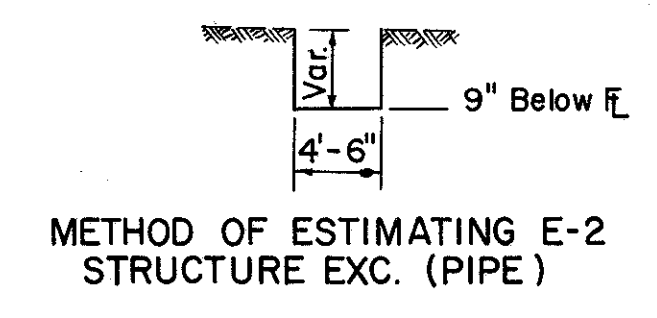
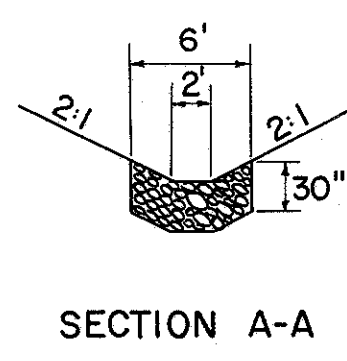
LAKE COUNTY
LAK-2-10.38



AREA = 5.3 ACRES
Q₅₀ = 20 C.F.S.

HEADWATER = 2.7 FT.
OUTLET VELOCITY = 12.0 F.P.S.

SCALE: 1" = 10'



ESTIMATED QUANTITIES

E-2	Excavation for Structures	52 C.Y.*
E-3	Channel Excavation	7 C.Y.
L-10	Sodding	6 S.Y.
I-10	Dumped Rock Channel Protection	6 C.Y.
S-1	Conc. for Structures Class "C"	10.0 C.Y.
S-4	Reinforcing Steel	436 LBS.
S-27	24" Pipe for Roadway Culverts Sec. M-6.8 (b) or M-6.6 (b)	118 L.F.

* Includes Headwall Exc.

CULVERT DATA

TYPE : Pipe Culvert, S-27, Sec.M-6.8(b) or M-6.6(b), Std. Type "A" Headwalls
 SIZE : 24" x 118"
 WORK REQUIRED: Build a Pipe Culvert with Std. Type "A" Headwalls, Excavate Channel on Left and provide Dumped Rock on Lt. Place Sodding Rt. and Lt. as shown.