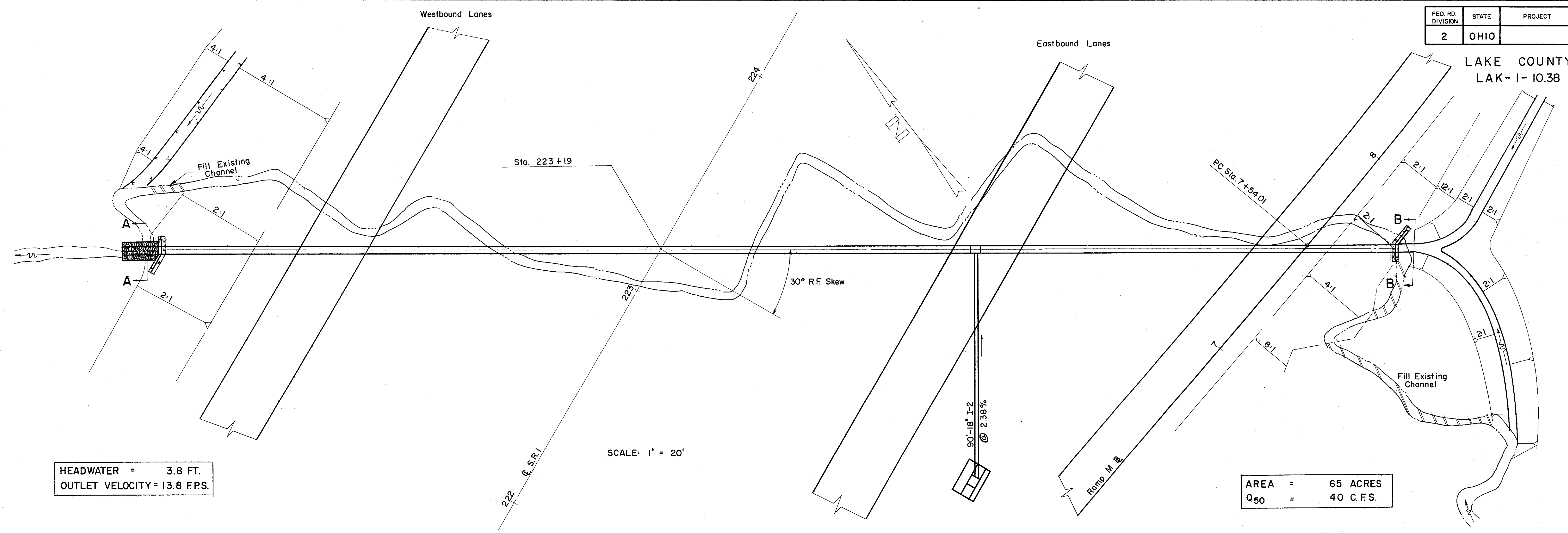
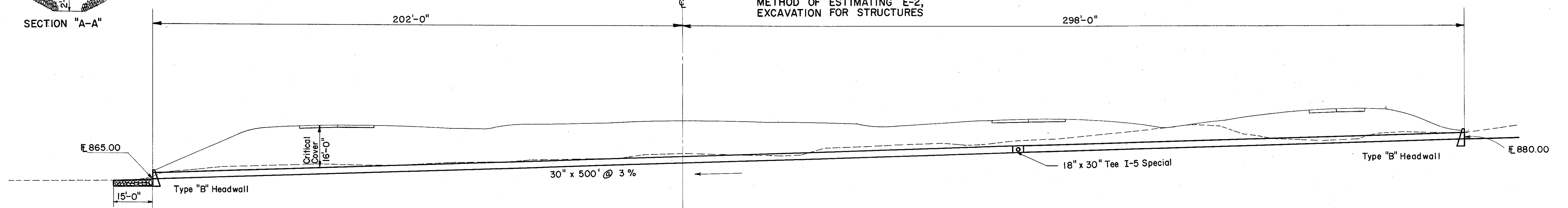
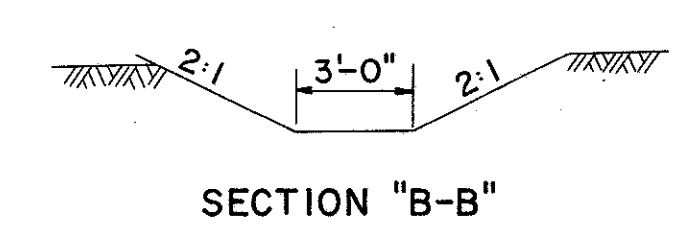
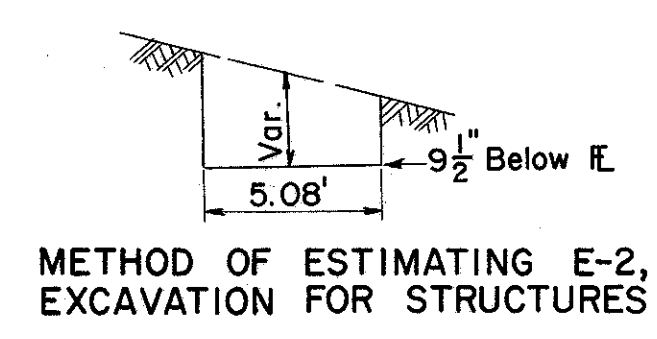
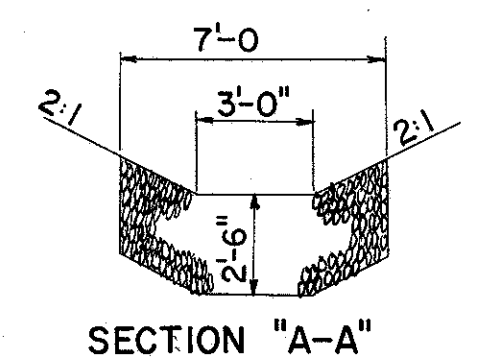


LAKE COUNTY
LAK-1-10.38



HEADWATER = 3.8 FT.
OUTLET VELOCITY = 13.8 FPS.

AREA = 65 ACRES
Q₅₀ = 40 C.F.S.



ESTIMATED QUANTITIES

* E-2	Excavation for Structures	430 Cu. Yd.
E-3	Channel Excavation	163 Cu. Yd.
L-10	Sodding	6 Sq. Yd.
I-10	Dumped Rock Channel Protection	10 Cu. Yd.
S-1	Concrete for Structures Class "C"	11.4 Cu. Yd.
S-4	Reinforcing Steel	484 Lbs.
S-27	30" Pipe for Roadway Culverts Sec. M-6.6 (c)	496 L.F.
I-5	18" x 30" Tee Pipe Special Sec. M-6.6 (c)	1 Each

* Includes Excavation for Headwalls

CULVERT DATA

TYPE: Pipe Culvert S-27 Sec. M-6.6 (a), Type B Headwalls
 SIZE: 30" x 496' (4' Deducted for I-5 Pipe Special)
 WORK REQUIRED: Build a Pipe Culvert with Type "B" Headwalls Lt. & Rt. Excavate Channel Right. Place dumped rock channel protection Lt. Place sod as shown.