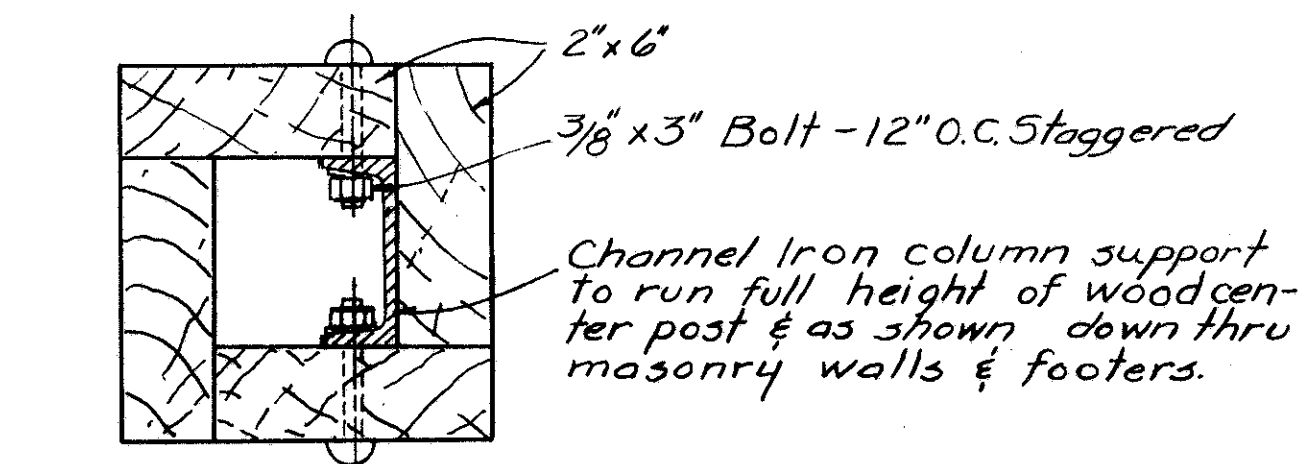


ESTIMATED BILL OF MATERIALS

- 4 pcs. 2"x6"x10' - Cross members for roof and angular supports
- 5 " 2"x6"x14' - Ridge plate for roof
- 8 " 2"x4"x14' - Roof rafters
- 4 " 2"x6"x16' - Boxing around Channel iron, for column supports
- 2 " 6"x6"x10' - Wood posts (alternate column supports)
- 2 " 5 1/2"-7" O.D. x 11' - Used well casing (alt. column supports)
- 28 " 1"x6"x14' - Roof sheathing
- 2 " 1"x3"x14' - Facia boards
- 10 bundles - 16" Random width wood shingles, grade xxxxx cedar.

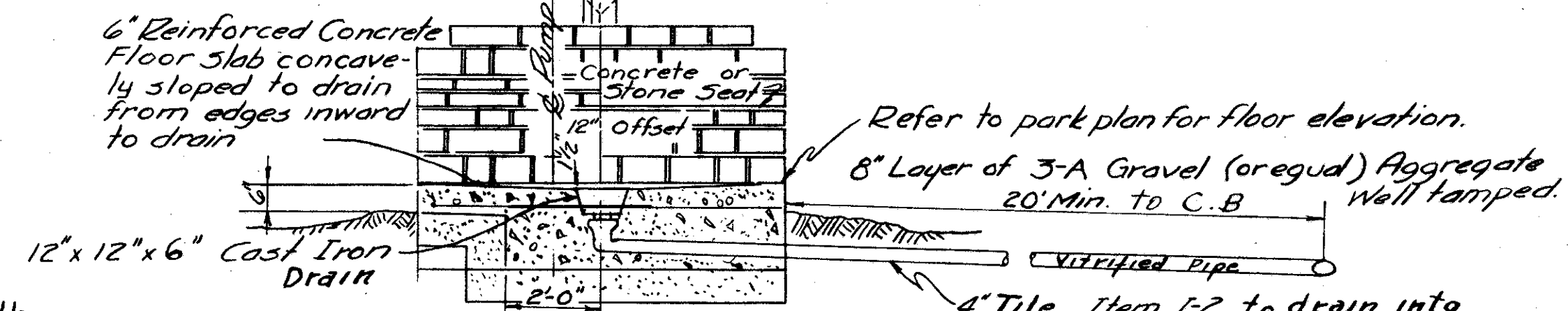
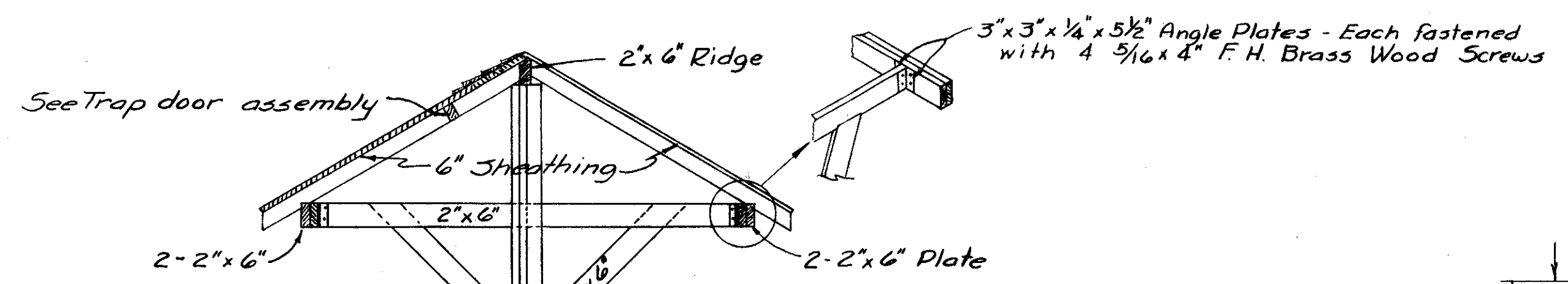
Hardware

- 24 each 3/8" x 3" - Carriage bolts in column supports
- 4 " 1/2" x 11" - C-Bolts, column & braces
- 4 " 1/2" x 9" - C-Bolts, column & cross-arms
- 4 " 1/2" x 5" - C-Bolts, braces & cross-arms
- 1 " 12" x 12" x 6" Cast Iron Drain Bowl
- 1 " 14" - Copper or Aluminum Ridge Roll
- 2 pcs. (11 lin. ft. each) - Channel iron
- 8 ea. 3" x 3" x 1/4" x 5 1/2" - Angle plates
- 46 " 3/16" x 4" - F.H. brass wood screws
- 2 " 2 1/2" - Screen door hooks - complete
- 4 " 1/2" x 15" (2" spread) - U-Bolts, alternate with used well casing posts.

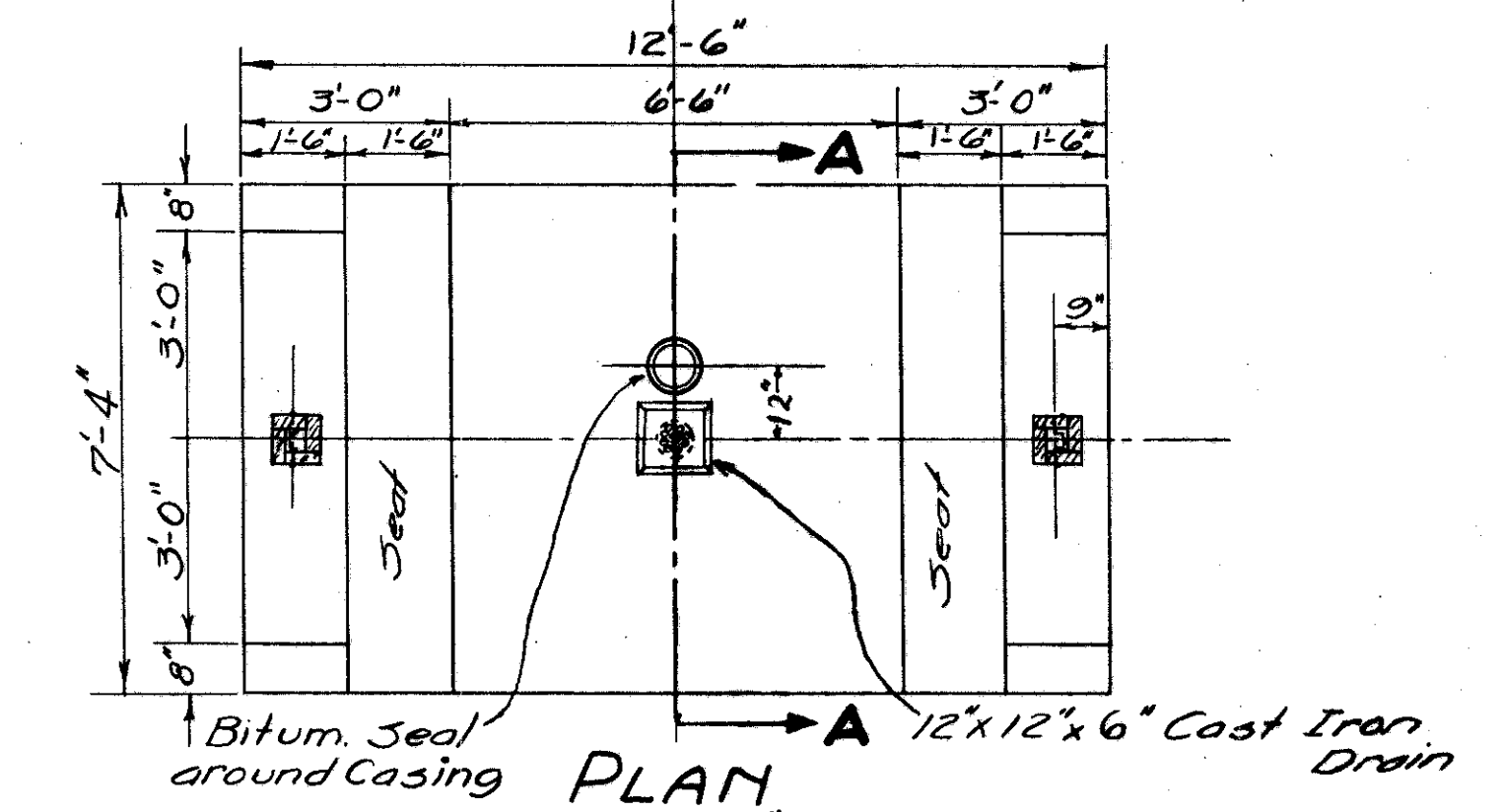


PLAN VIEW OF POST CONSTRUCTION
Scale 3/8"=1'-0"

- 1 pc. 1"x3"x8' - Trap door cleats
- 1 " 2"x4"x2' - Trap door framing

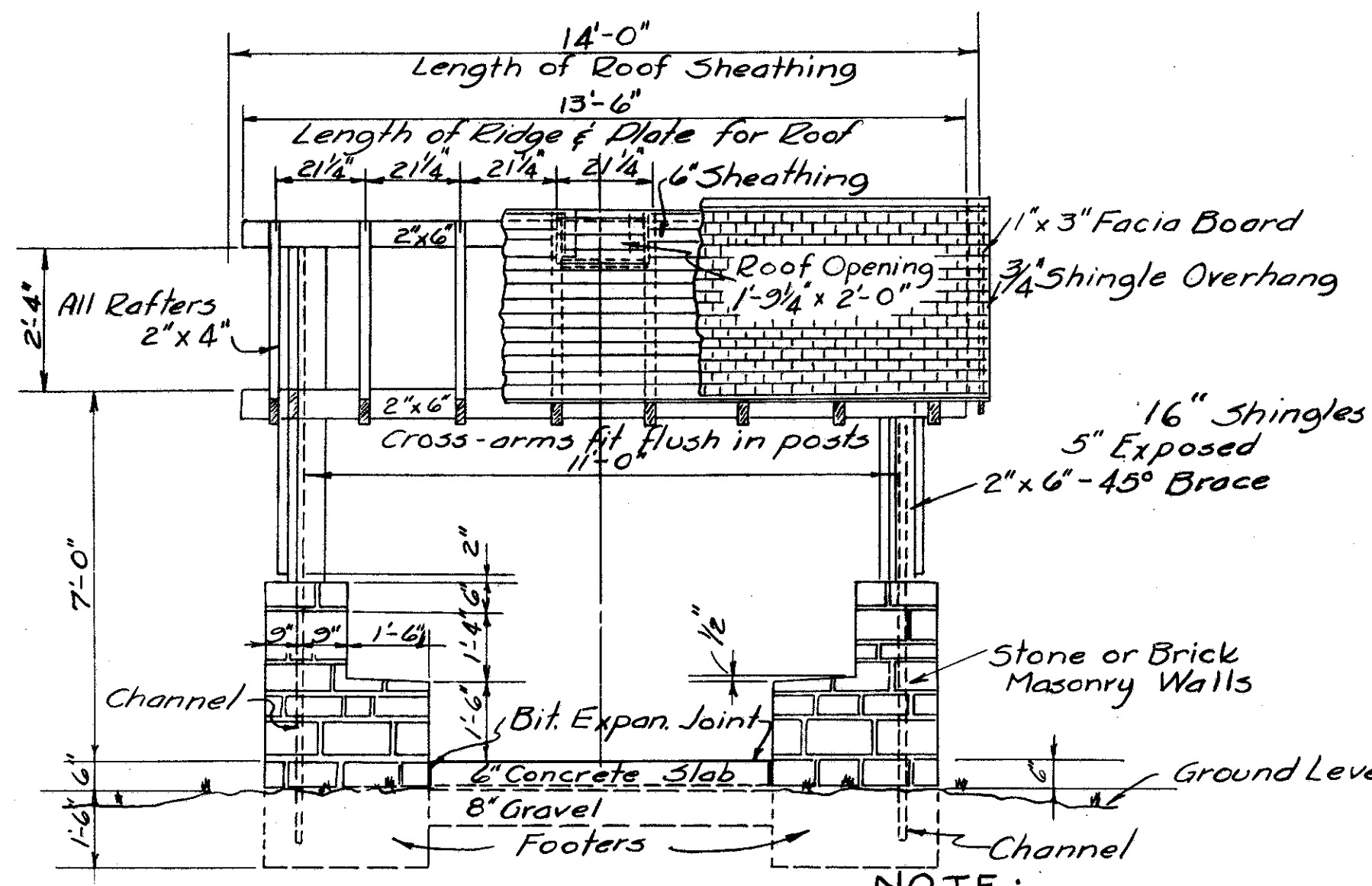


SECTION "A-A"
Scale 3/8"=1'-0"



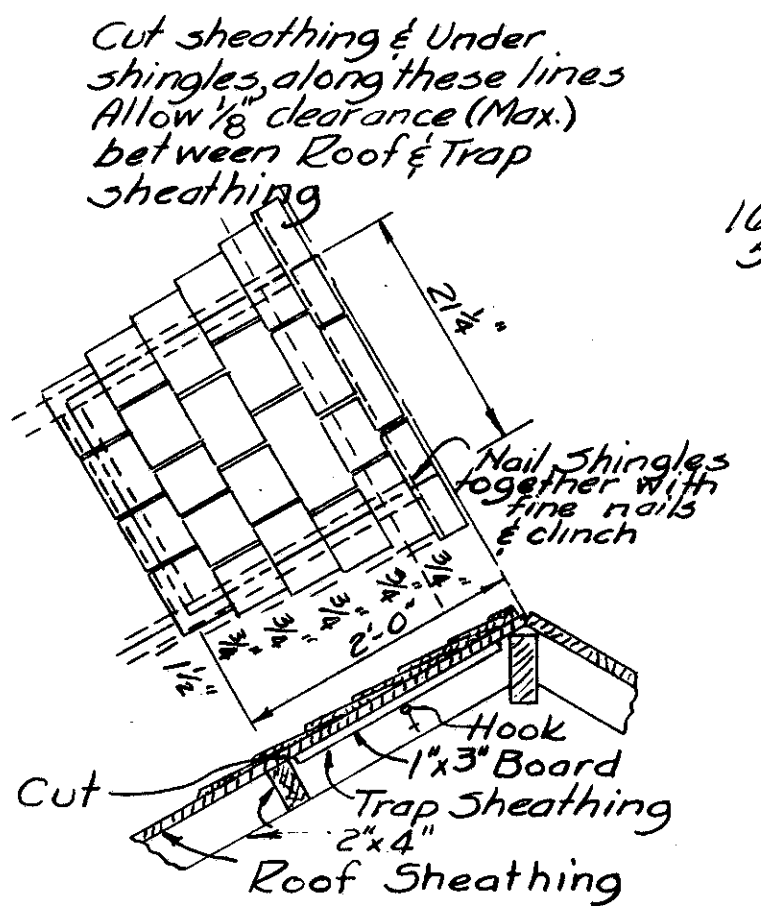
NOTES

All outside vertical surface joints shall be raked to a depth of 1/4" to 1/2".
All stone masonry shall comply with specification for Item 5-20. No masonry, stone or brick shall be painted. Brick shall be size number 3 or 4, made from clay and comply with specification for Item 1-8.
The posts constructed from 2"x6" boards shall be fastened with suitable nails, also 3/16"x4" brass screws at 24" intervals.
All lumber shall be 545, Std, KD, #1 common and better, Southern Yellow Pine or Douglas Fir.
All lumber and shingles be treated in accordance with the requirements for "Pentachlorophenol Treatment", Sec. M-8.3.
Concrete shall be Class "C" and constructed in accordance with the requirements of Item 5-1 of the Specifications.
Reinforcing steel in 6" reinforced concrete floor slab shall be 3/4" steel rods spaced 12" apart O.C. both ends. Reinforcing steel not required in footers, nor in 8" walls or 4" floor slab of compartment.
Large sized washers shall be used with all bolts, one at each end; a lock washer shall also be used at the nut end. Bolts shall be cut off 1/4" beyond the nut & then hammered. All bolt holes shall be soaked with 5% Pentachlorophenol Solution, thoroughly before inserting bolts.

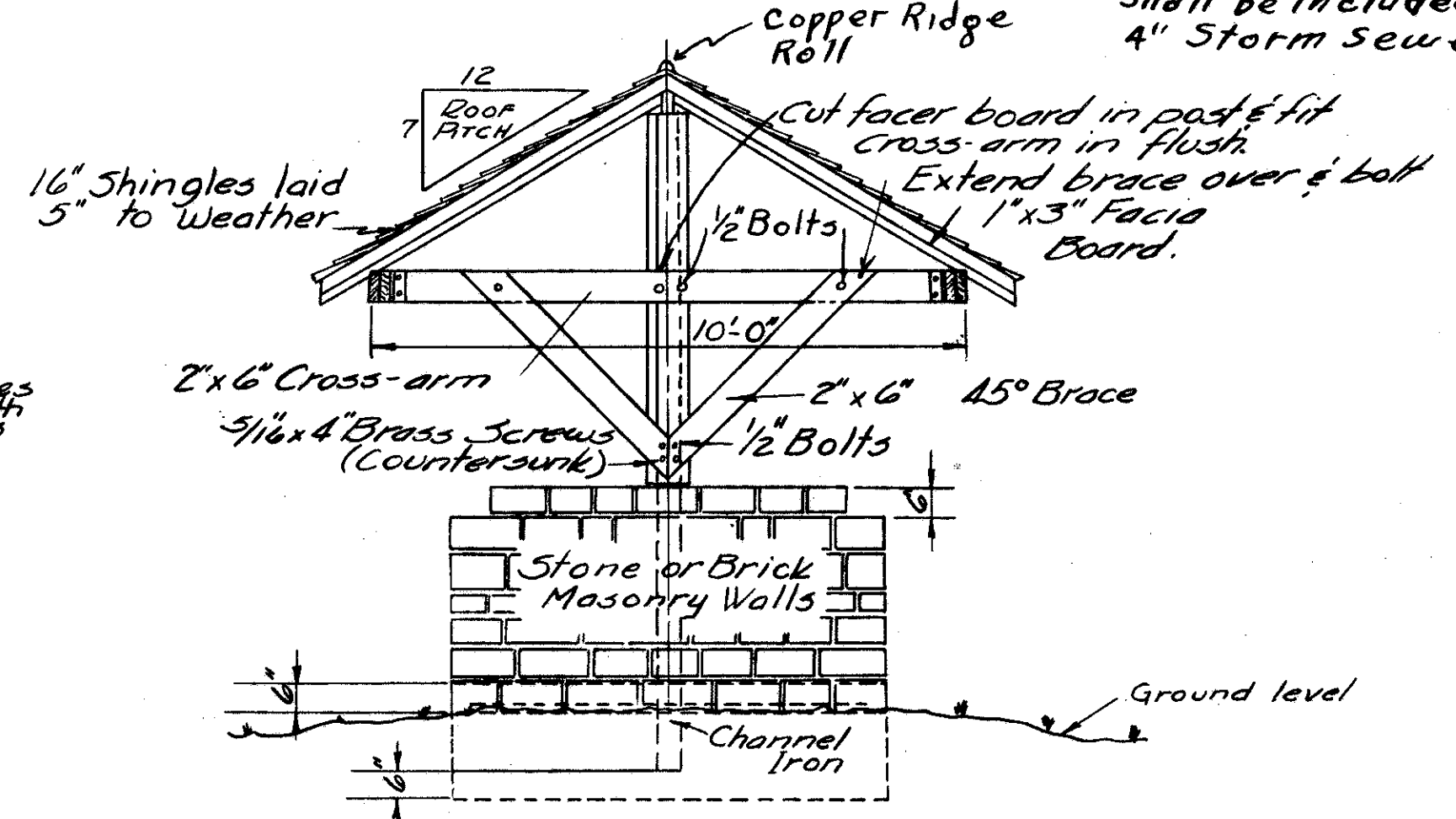


ELEVATION
Scale 3/8"=1'-0"

NOTE: Bituminous Expansion Joint will not be necessary if concrete well slab is placed integral with footers for Well Shelter.



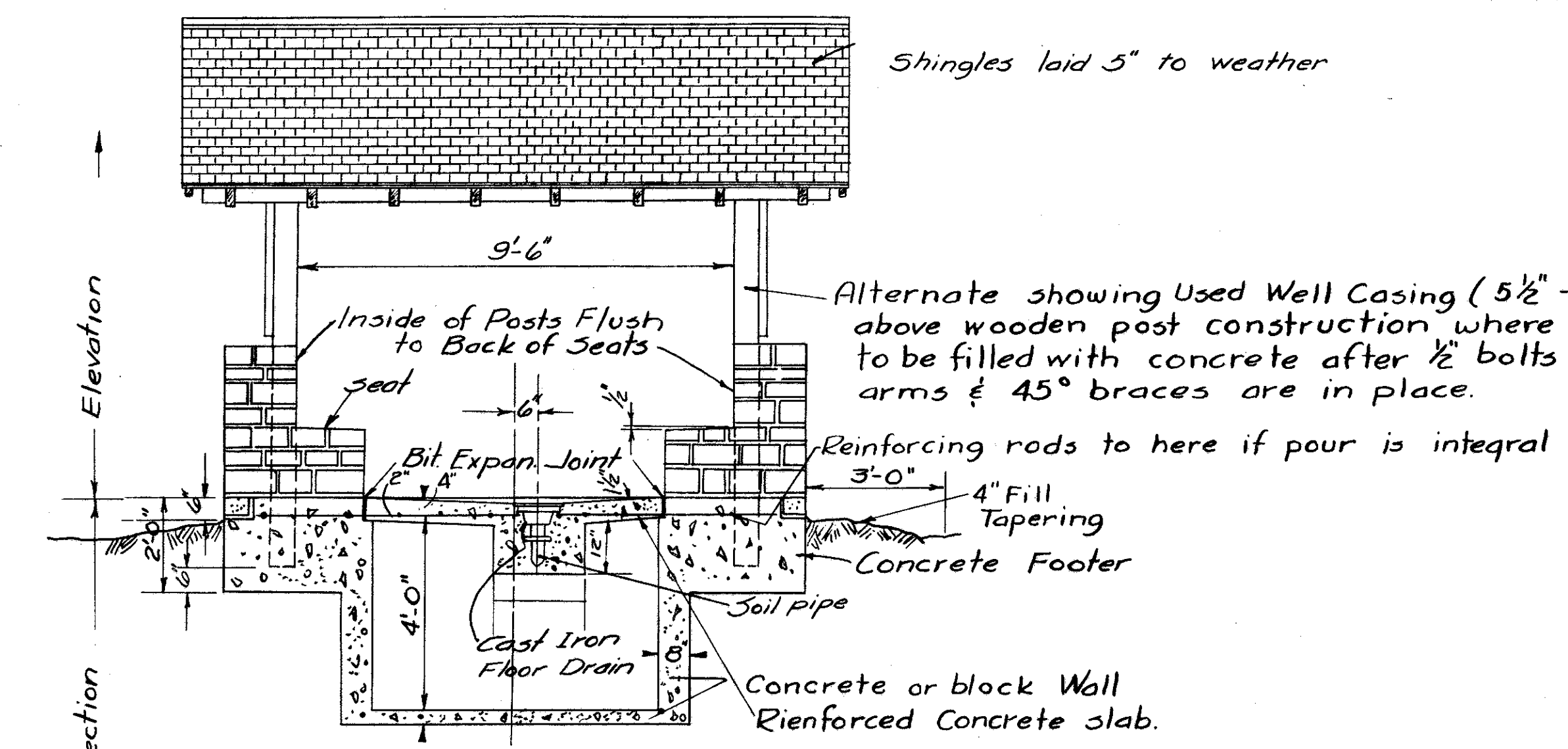
DETAIL OF TRAP DOOR
Scale 3/4"=1'-0"



ELEVATION
Scale 3/8"=1'-0"

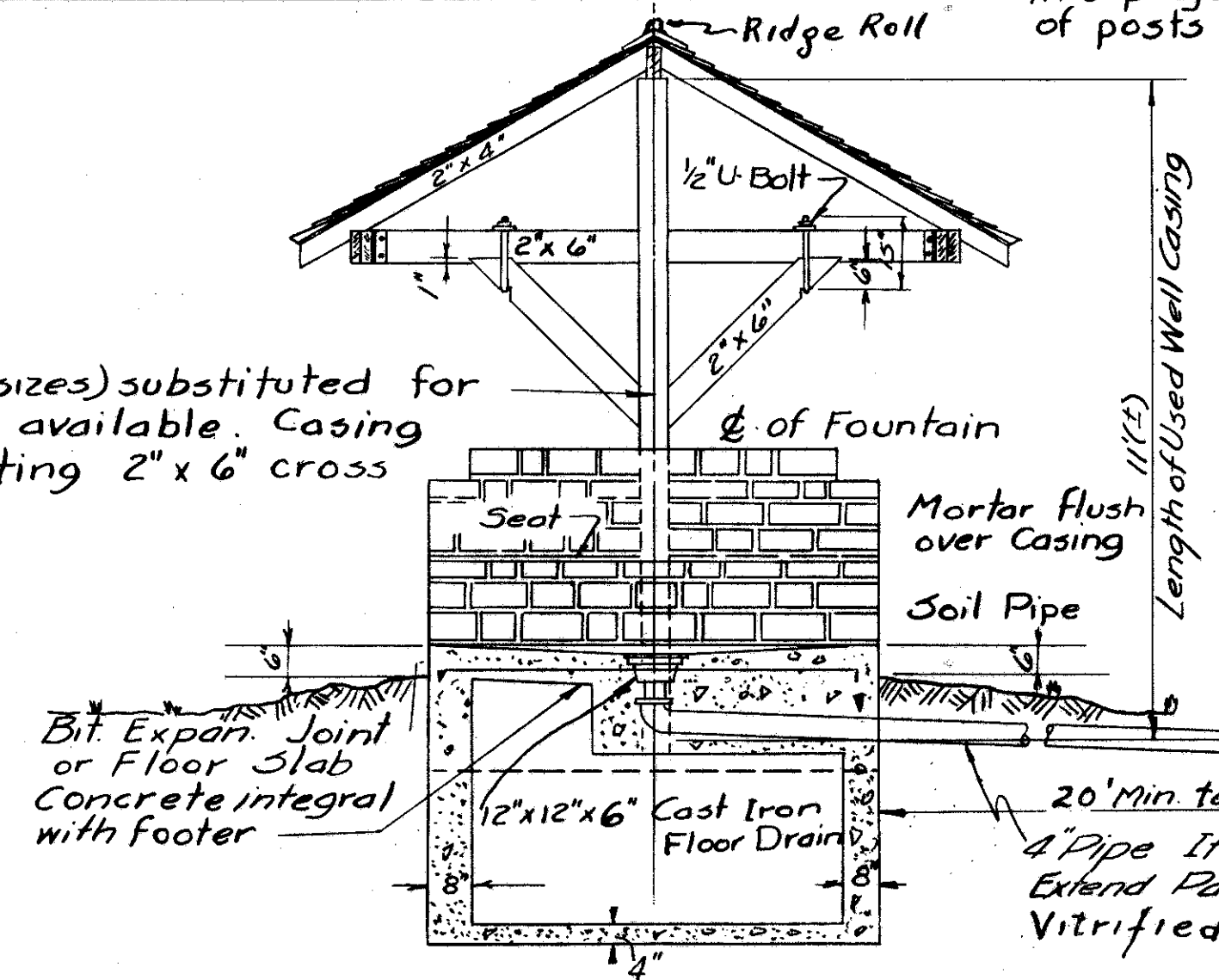
This Well Shelter Design is the "TRADE MARK" of the Roadside Parks in Ohio. It will be erected as standard.

NOTE: Details below this line do not apply to this project except for alternate design of posts for the Well Shelter.

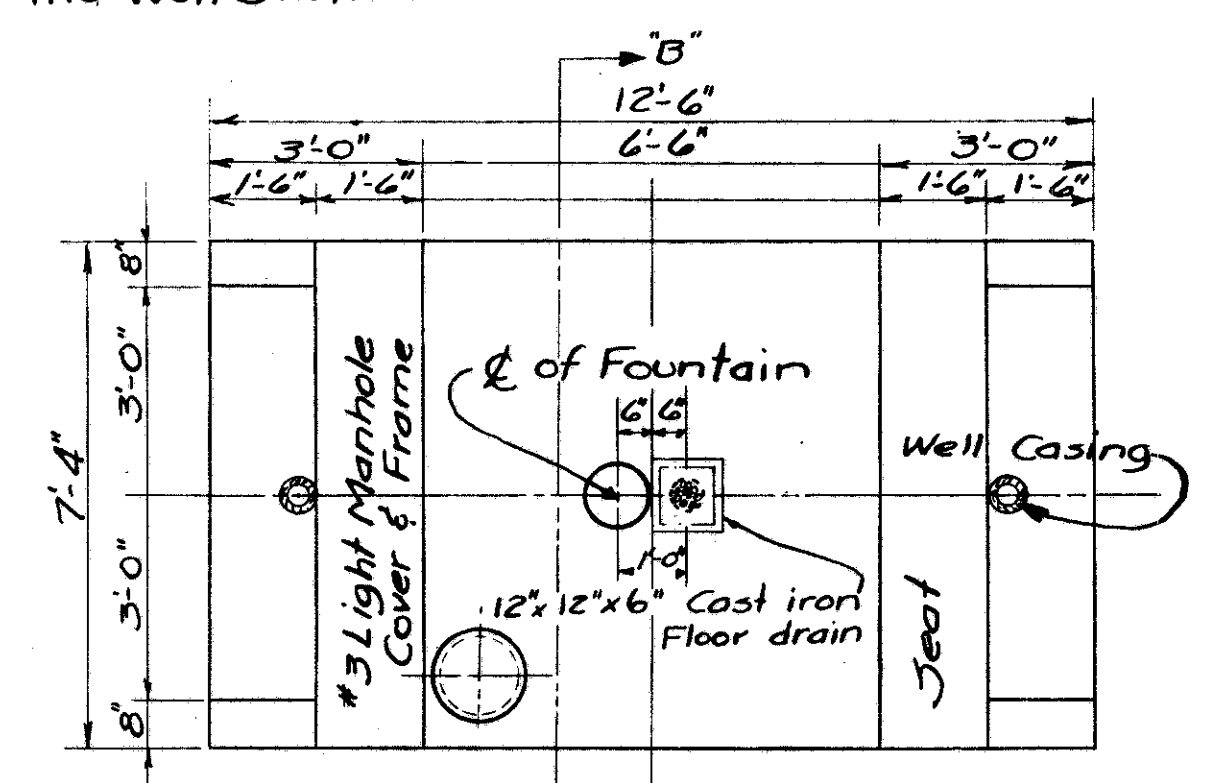


SECTION - ELEVATION Scale 3/8"=1'-0"

Compartment Under Slab & Foundation Where City Water is Used To Allow Repairing



SECTION "B-B"
Scale 3/8"=1'-0"



PLAN

Showing Used Well Casing Posts

Scale 3/8"=1'-0"

Bolts shall be good quality Hot Galvanized, Cadmium Plated or Copper Bearing.
In all shelters containing a well & pump these are offset from center of 6" concrete slab and trap door is built into roof of shelter as shown, all to allow for drawing of pump and/or casing, in the event repairs have to be made.
Should local conditions warrant, drainage of excess ground water from compartment beneath fountains, it shall be carried off either by gravity flow or sump drains as required, by topography of the individual park area affected.
Aggregate subbase for concrete slab shall meet the requirements of Item I-22 Subbase, Grading "C" or "D".

STATE OF OHIO
DEPARTMENT OF HIGHWAYS
WELL SHELTERS
ROADSIDE PARKS

DESIGNED	TRACED	APPROVED
C.A.W.	R.C.B.	M.J.G.

Jan. 1958