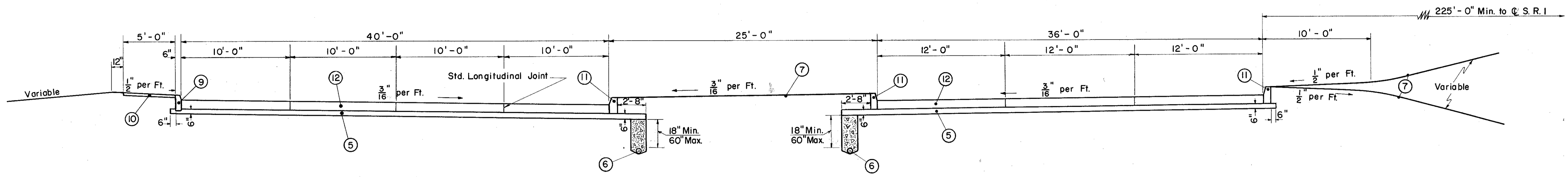


TYPICAL SECTIONS

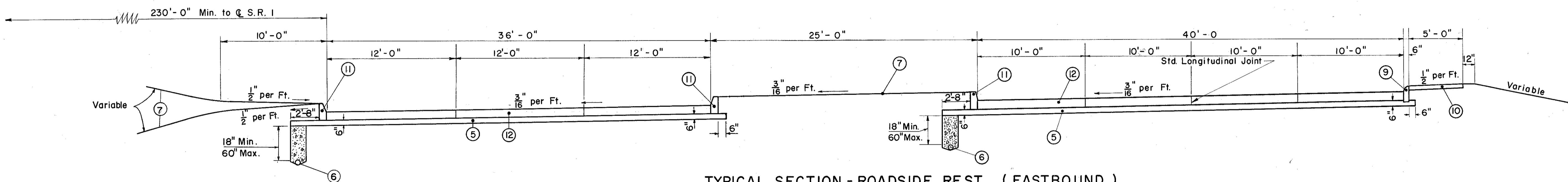
TYPE T-71

FED. RD. DIVISION	STATE	PROJECT
2	OHIO	

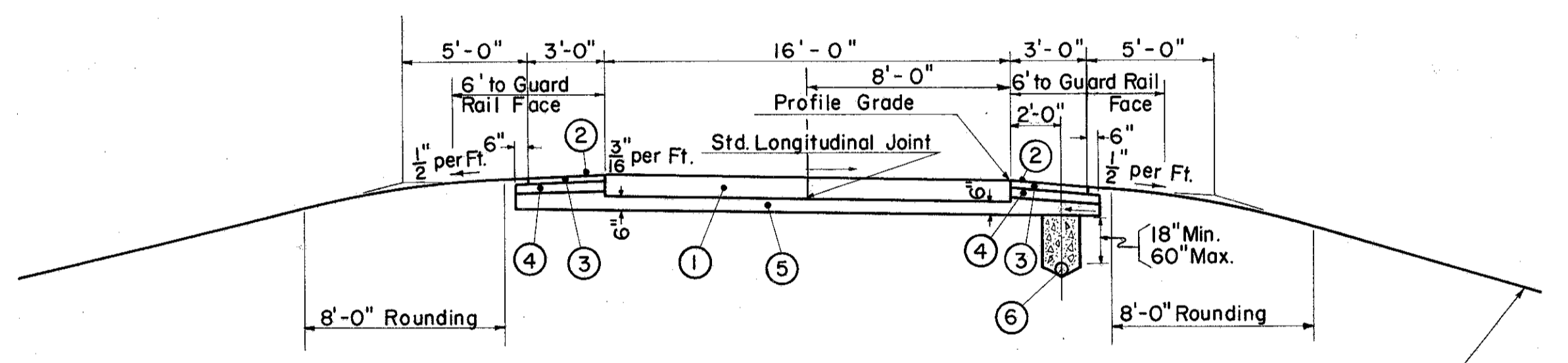
LAKE COUNTY
LAK-1-10.38



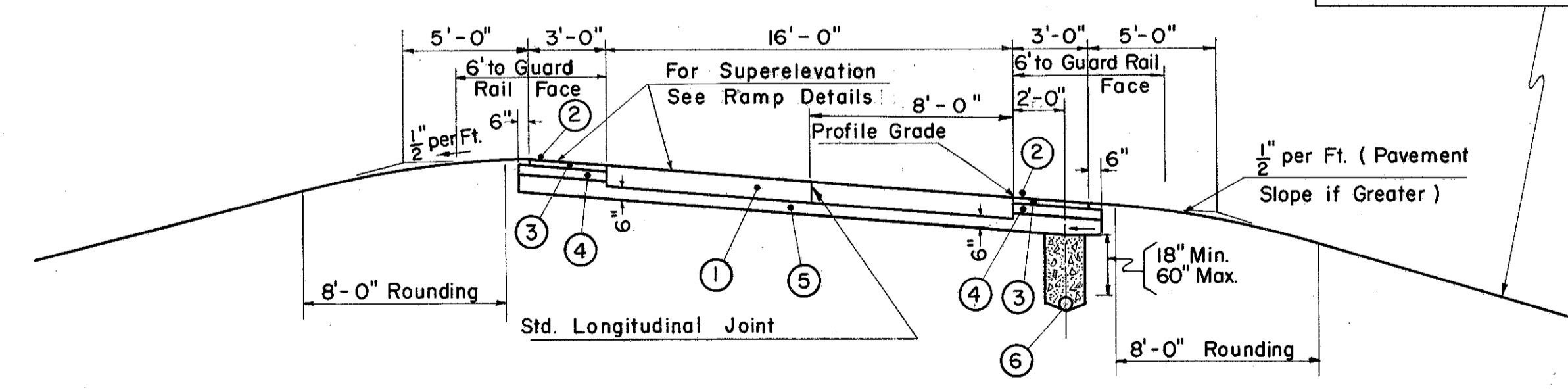
TYPICAL SECTION - ROADSIDE REST (WESTBOUND)



TYPICAL SECTION - ROADSIDE REST (EASTBOUND)

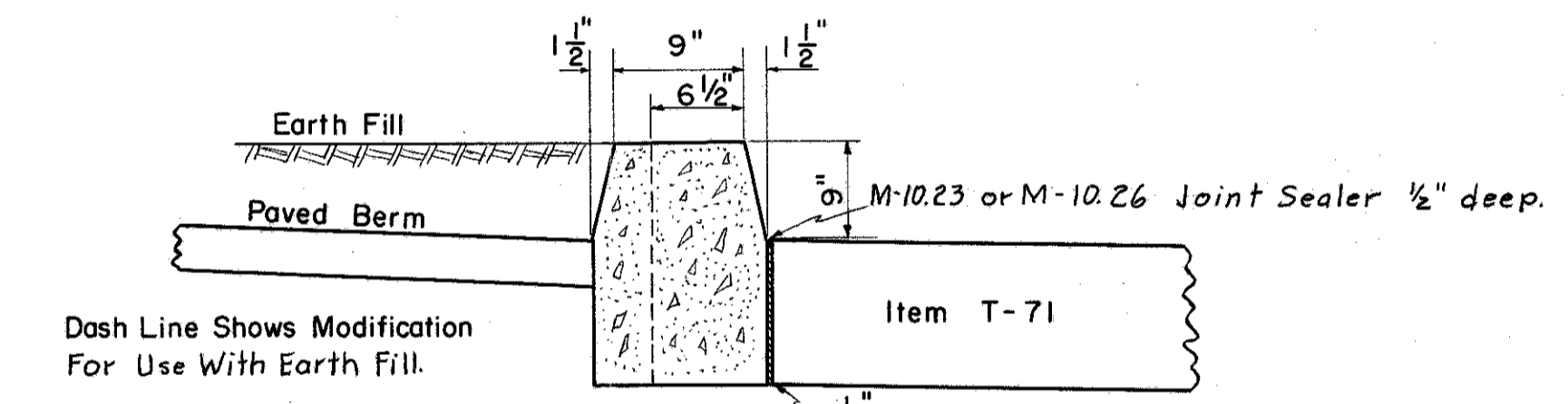


NORMAL RAMP SECTION

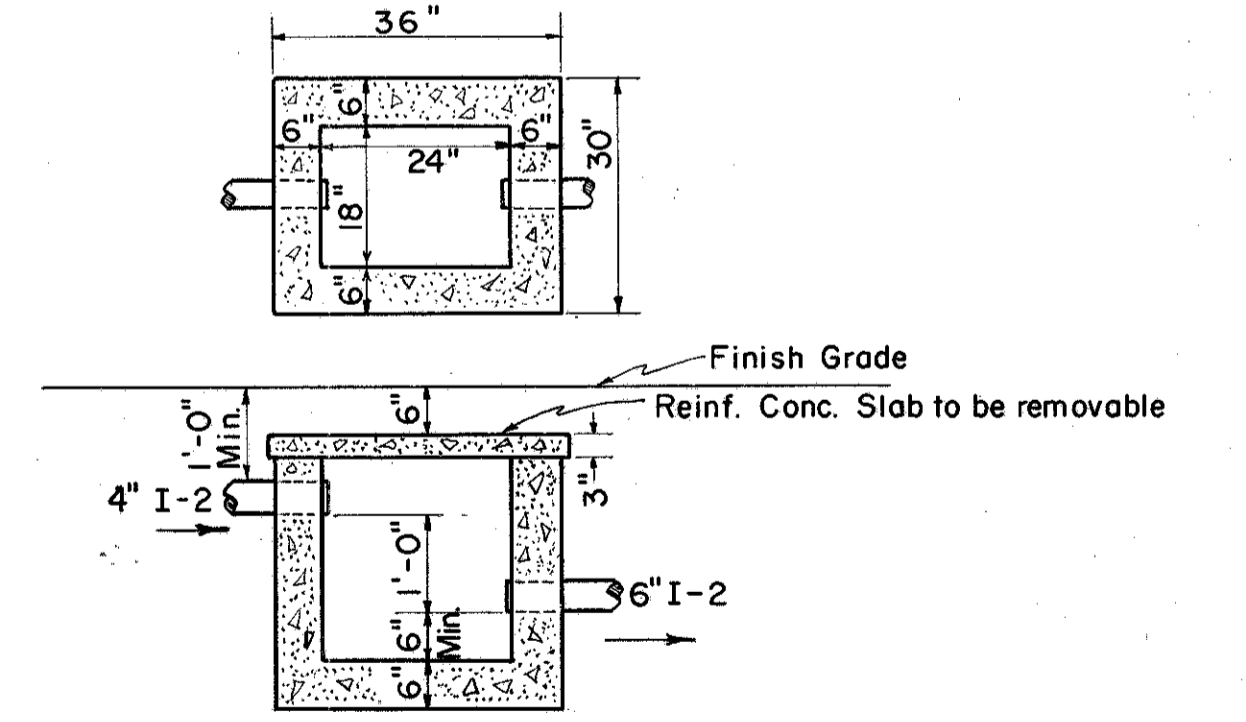


SUPERELEVATED RAMP SECTION

- LEGEND**
- ① T-71 10" Reinforced Portland Cement Concrete Pavement.
 - ② T-31 Bituminous Surface Treatment. (See note in proposal)
 - ③ B-219 3" Waterproofed Aggregate Base Course.
 - ④ I-18 5" Stabilized Crushed Aggregate Shoulders & Approaches.
 - ⑤ I-22 Variable Depth Subbase, as per plan
 - ⑥ I-4 6" Pipe Underdrain.
 - ⑦ L-9 Seeding & Protecting Roadway Areas.
 - ⑧ I-12 Portland Cement Concrete Curb, Type 6.
 - ⑨ I-13 Portland Cement Concrete Sidewalk, 4" Depth.
 - ⑩ I-12 Special Portland Cement Concrete Curb (Modified).
 - ⑪ T-71 9" Reinforced Portland Cement Conc. Pavement



SPECIAL PORTLAND CEMENT CONCRETE CURB DETAIL



TYPE A CATCH BASIN