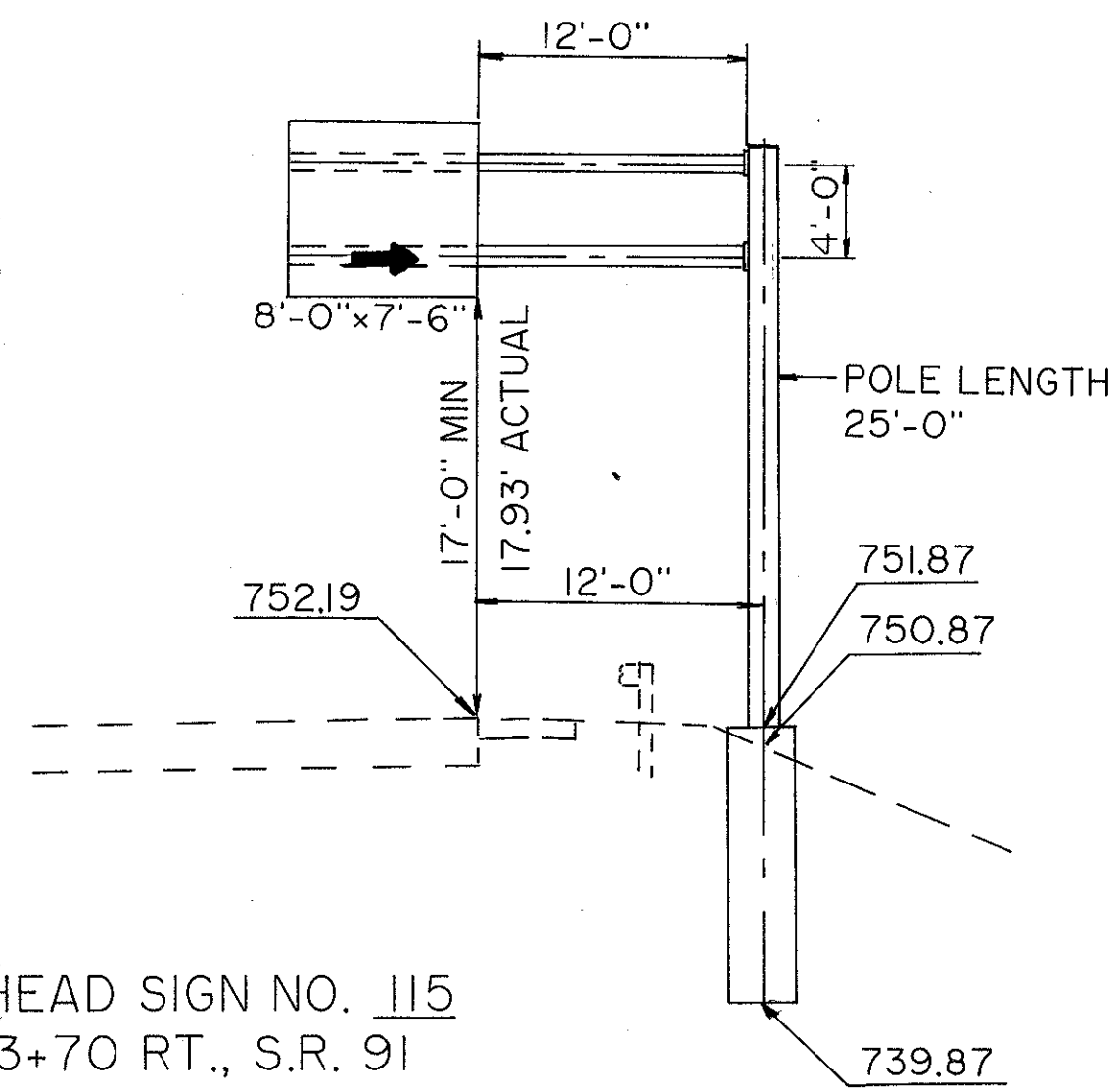
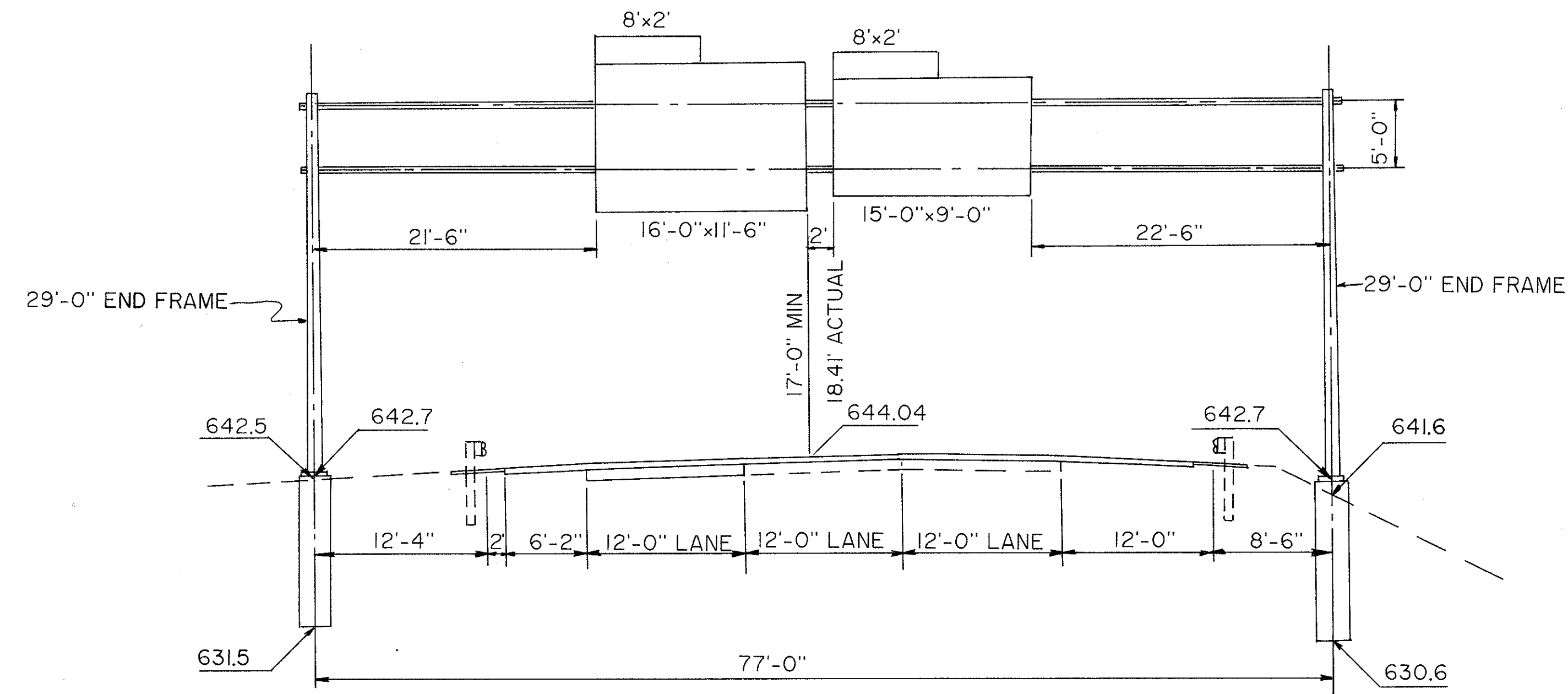


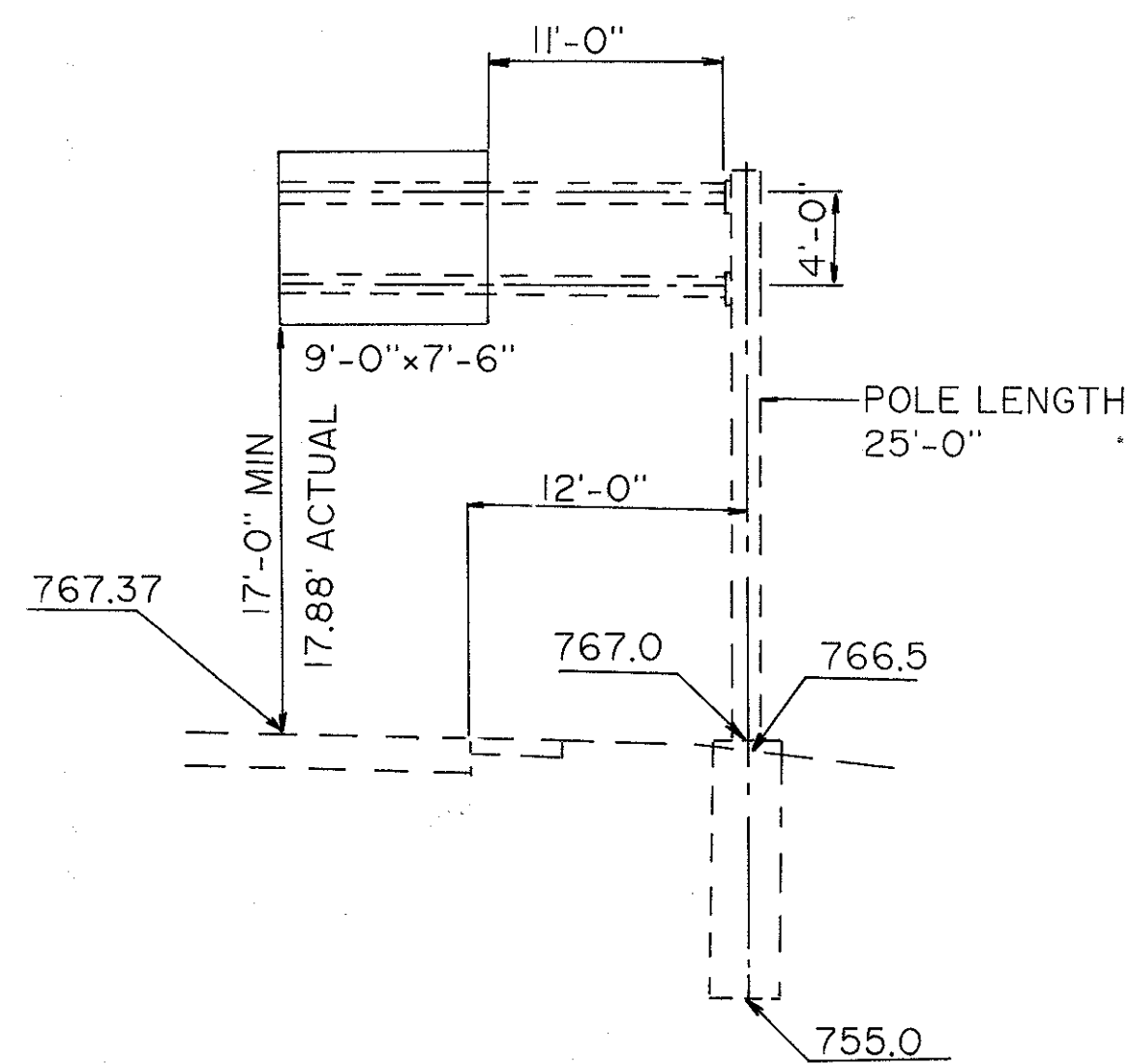
NOTE: PAVEMENT ELEVATIONS SHOWN
INCLUDE RESURFACING.
NOTE: ALL SIGN SUPPORT ELEVATIONS ARE SHOWN
IN DIRECTION OF VIEWING SIGN FACES. (EXCEPT AS
NOTED).



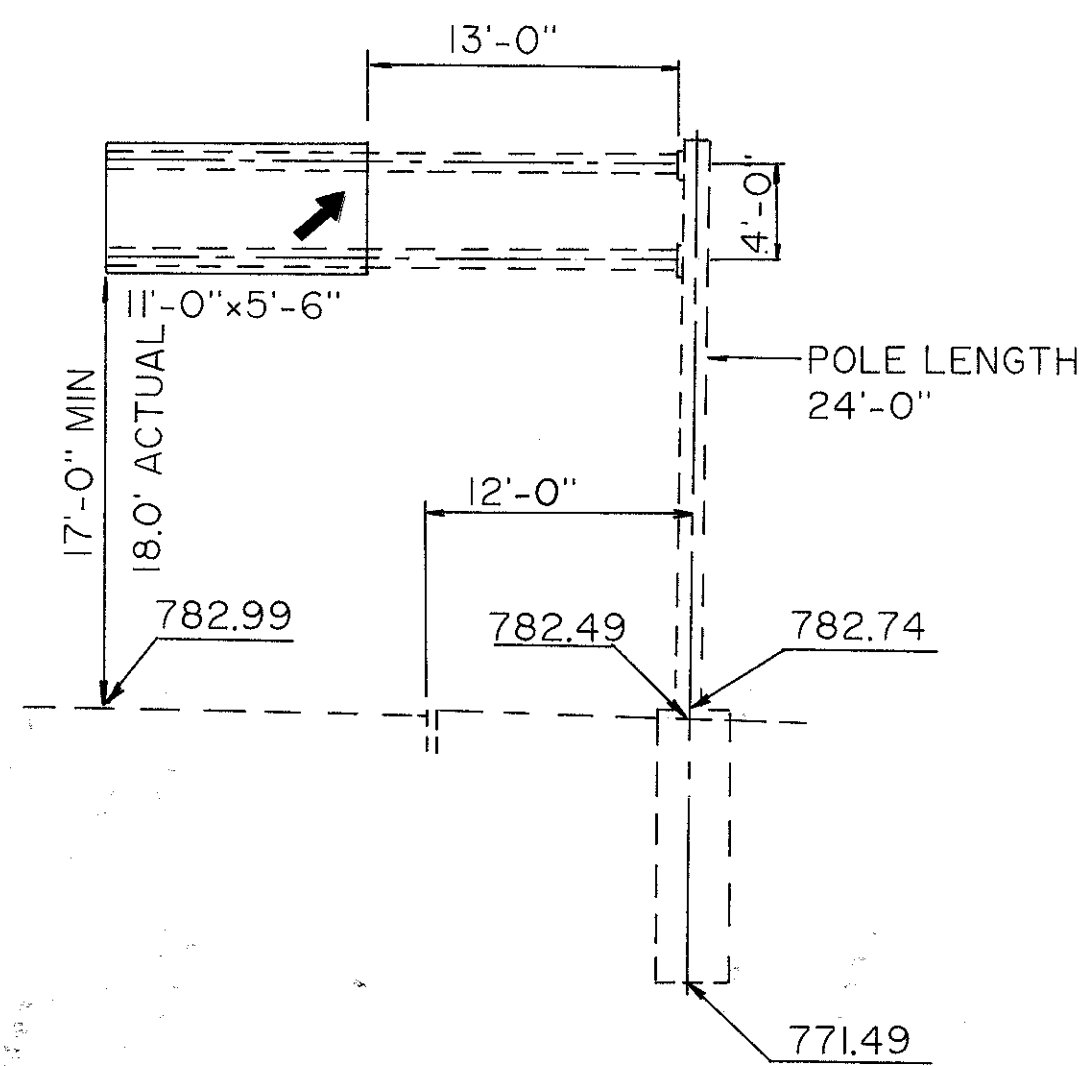
OVERHEAD SIGN NO. 115
STA 23+70 RT., S.R. 91
TYPE 12.30 DES. NO. 5
20'-0" ARMS



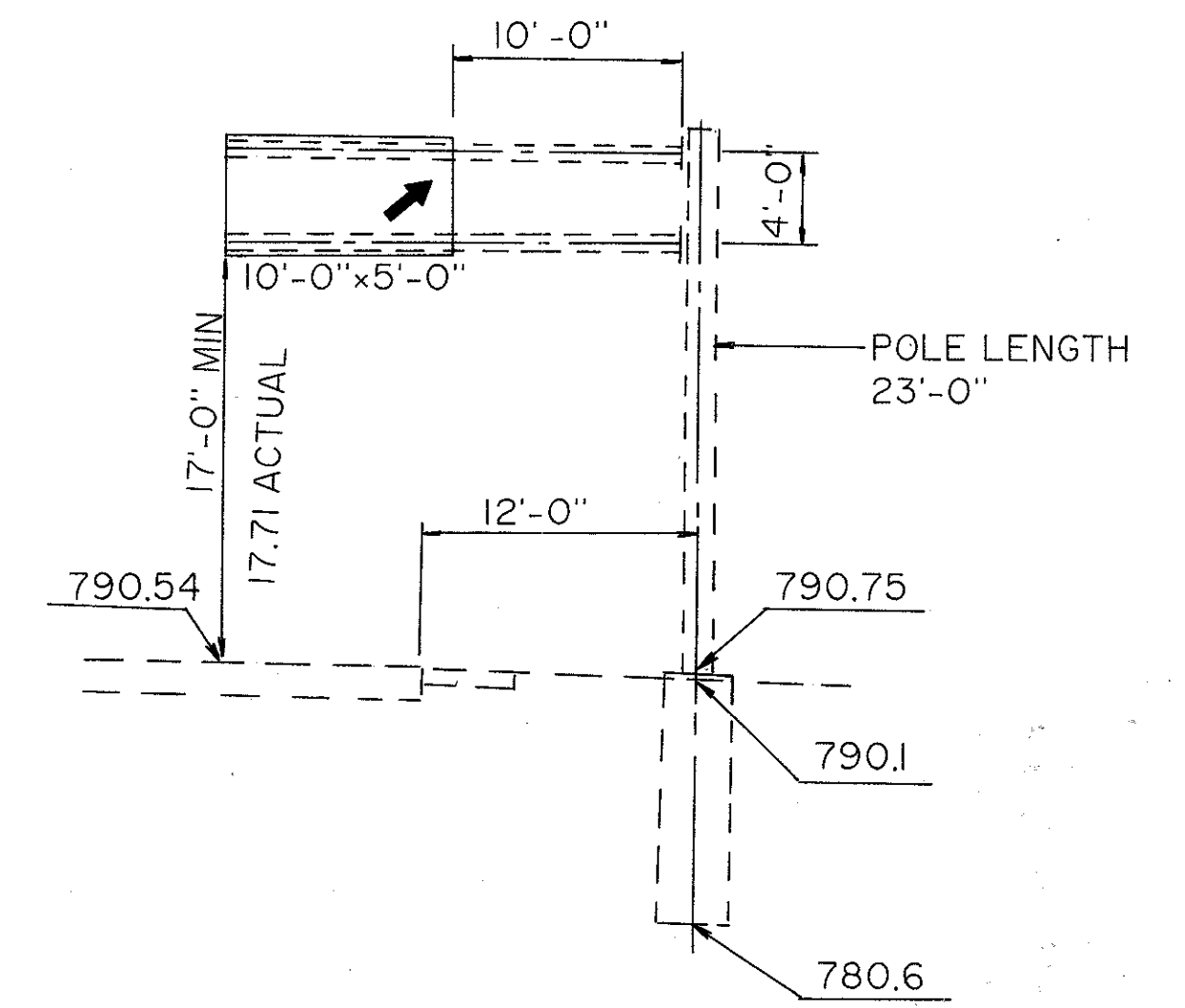
OVERHEAD SIGN NO. 140
STA 238+05 W.B., I-90
STD. NO. 7.65, DESIGN NO. 8
77'-0" SPAN



OVERHEAD SIGN NO. 120
STA 35+18 LT., S.R. 91
EXISTING TYPE I-129 12.24, DES. NO. 4, MODIFIED
20'-0" ARMS
NOTE: SIGN VIEWED FACING DOWN STATION.



OVERHEAD SIGN NO. 125
STA 40+65 LT., S.R. 91
EXISTING TYPE 12.30, DES. NO. 4
24'-0" ARMS



OVERHEAD SIGN NO. 130
STA 45+00 LT., S.R. 91
EXISTING TYPE I-129 12.24, DES. NO. 2
20'-0" ARMS