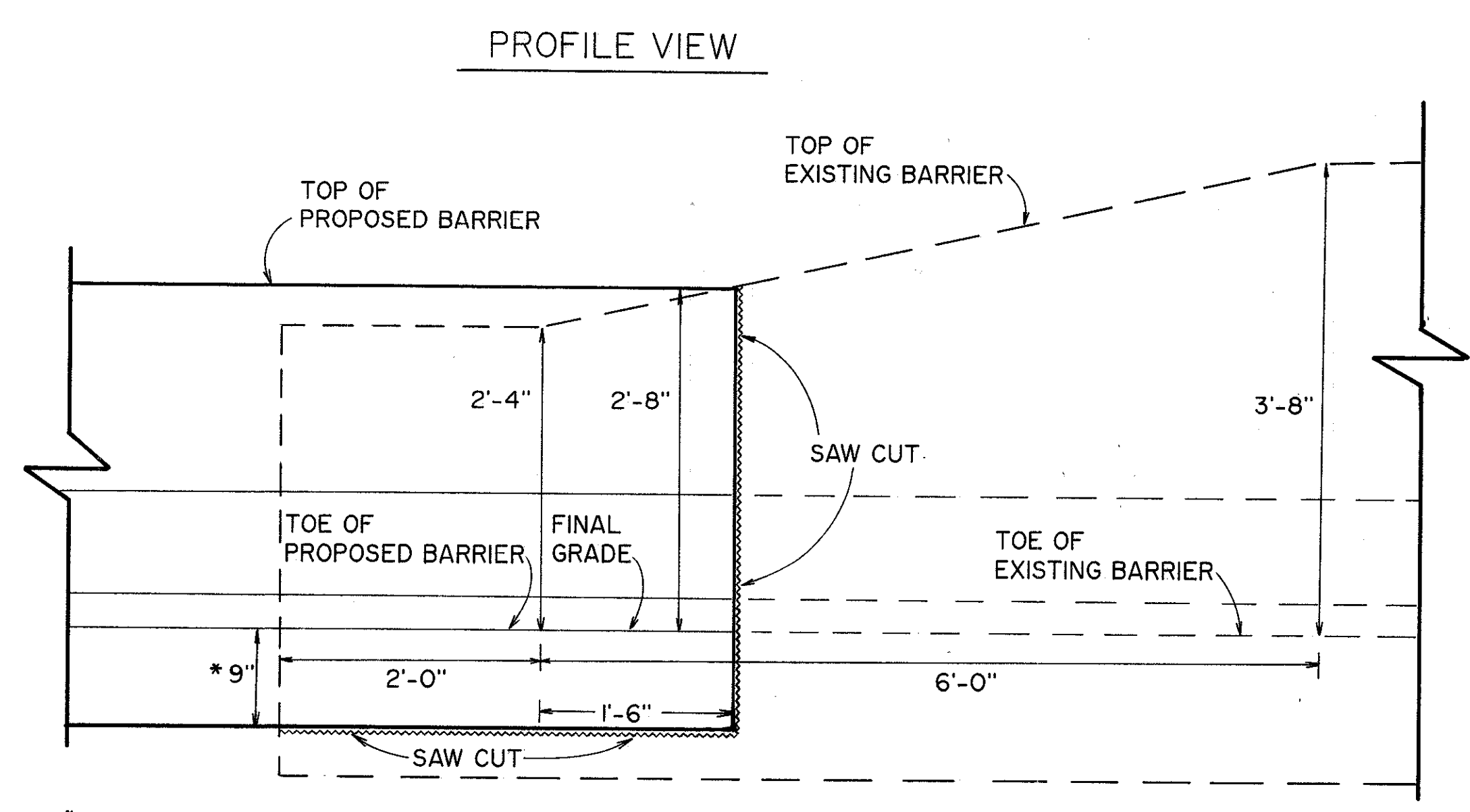


CONCRETE BARRIER, TYPE D
SEE STANDARD
CONSTRUCTION DRAWING GR-8.

** SEE SAW CUT
DETAIL

SAW CUT DETAIL



* NOTE: REMOVE EXISTING BARRIER
9" BELOW FINAL GRADE.

PLAN VIEW

