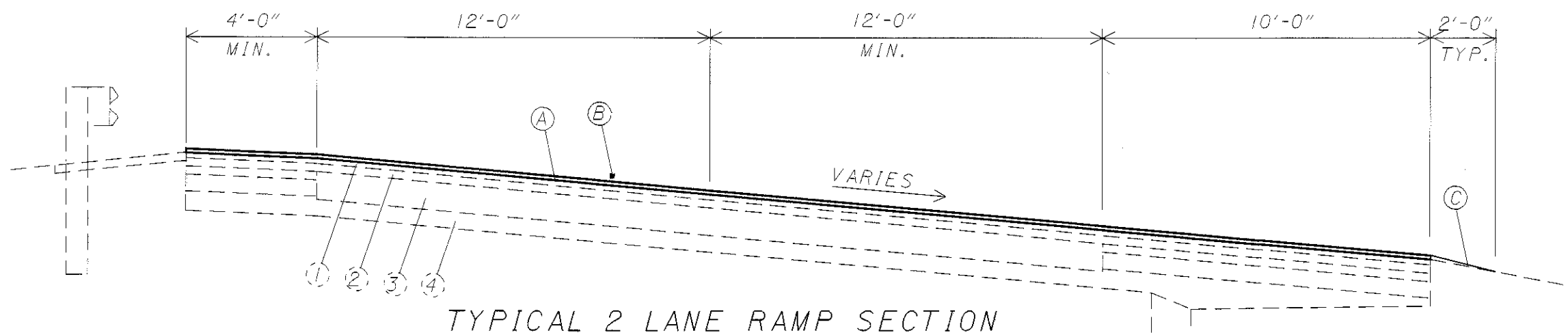
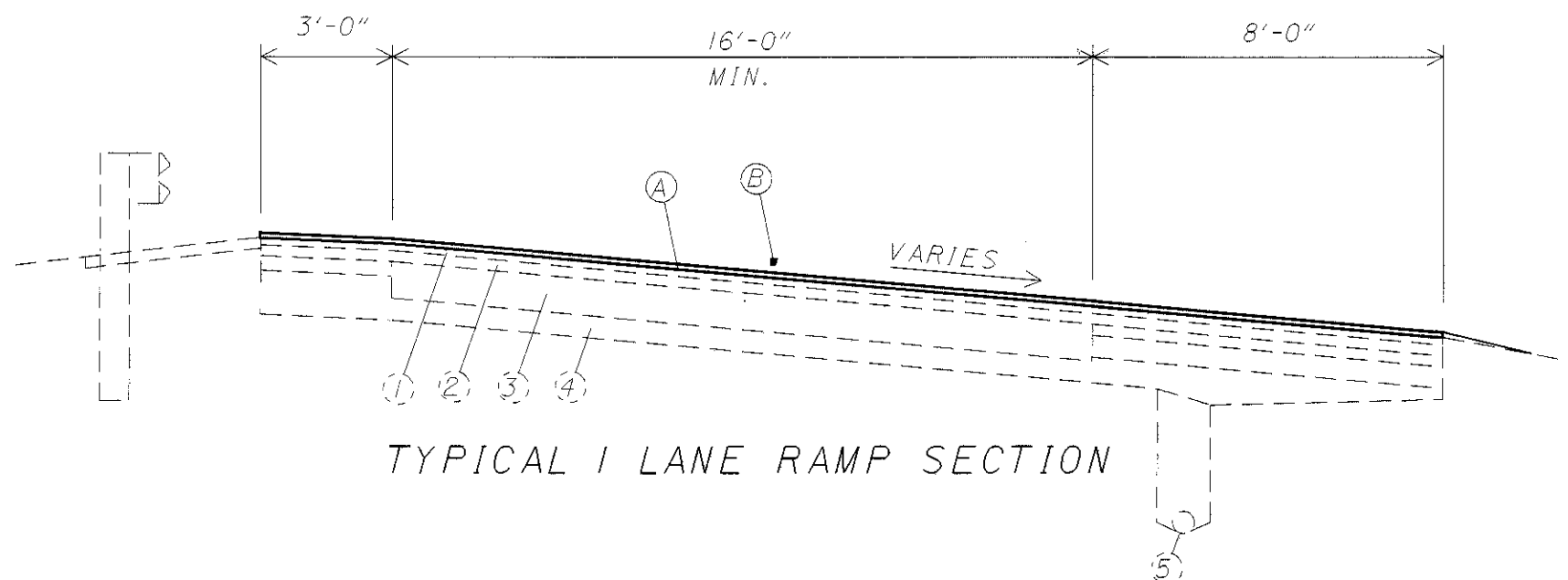


TYPICAL SECTIONS



TYPICAL 2 LANE RAMP SECTION

RAMP "A" STA. 6+25.28 TO STA. 24+23
 RAMP "B" STA. 5+79.29 TO STA. 26+85.12
 RAMP "C" STA. 10+60.81 TO STA. 42+28.41
 RAMP "D" STA. 4+38.54 TO STA. 38+78.80



TYPICAL 1 LANE RAMP SECTION

RAMP "E" STA. 7+56 TO STA. 20+72
 RAMP "H" STA. 13+69.70 TO STA. 23+76.56
RAMP "F" STA. 4+74 TO STA. 22+16.66
RAMP "G-H" STA. 5+23.01 TO STA. 13+69.70
RAMP "G" STA. 3+69.70 TO STA. 11+43.98

FOR LEGEND, SEE SHEET 4

STRUCTURES SHALL NOT
BE RESURFACED



TYPICAL SECTIONS

LAK-090/271-01.88/00.00

PLOTTED BY: jgrmovse
 PLOTTED FROM: PROJECTS\BP1\19423\19423GVA.DGN
 19423GVA.DGN
 PLOT SUBMITTED: 25-FEB-1999 16:20