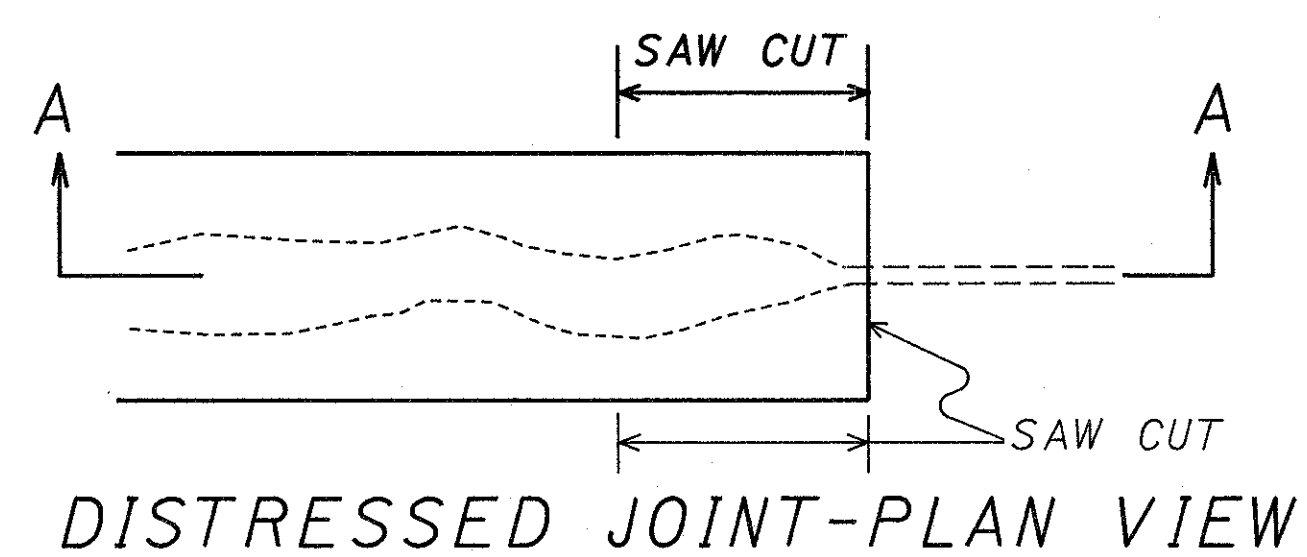


PAVEMENT REPAIR DETAILS

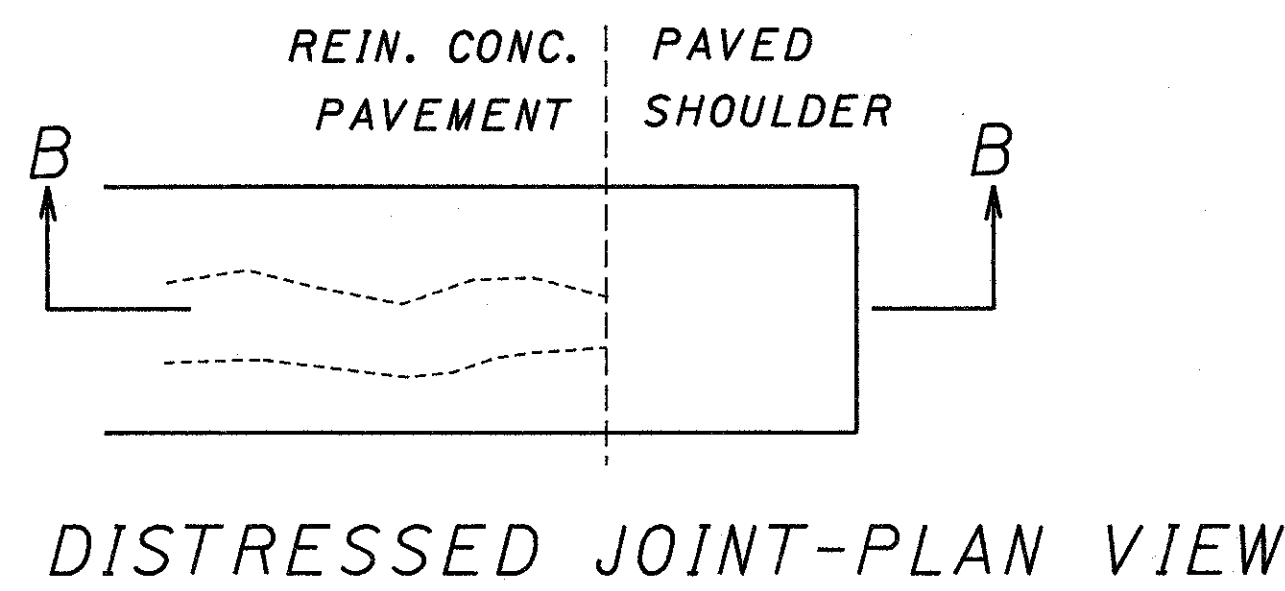
LAKE COUNTY
LAK-90/271-1.88/0.00

OHIO
FHWA REGION 5
FEDERAL PROJECT

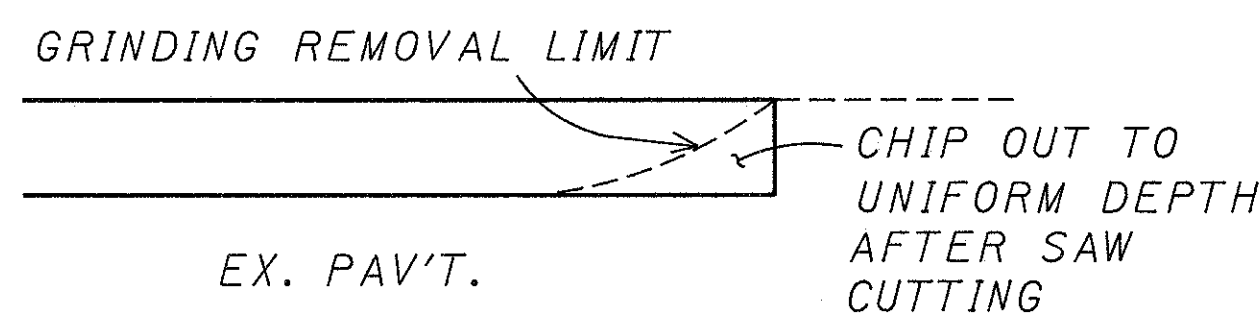
49
49



DISTRESSED JOINT-PLAN VIEW

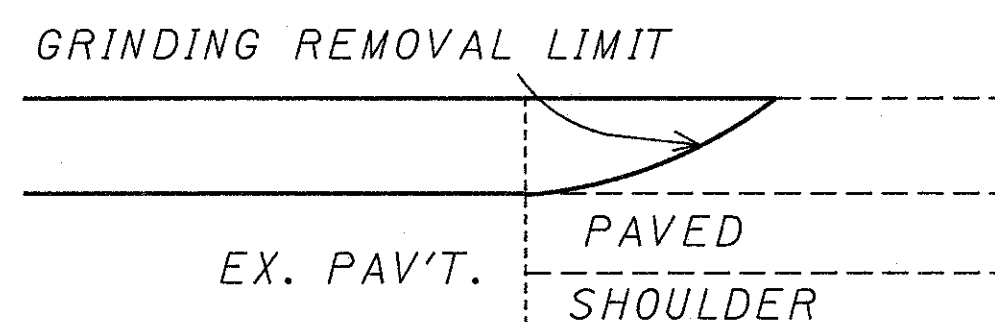


DISTRESSED JOINT-PLAN VIEW



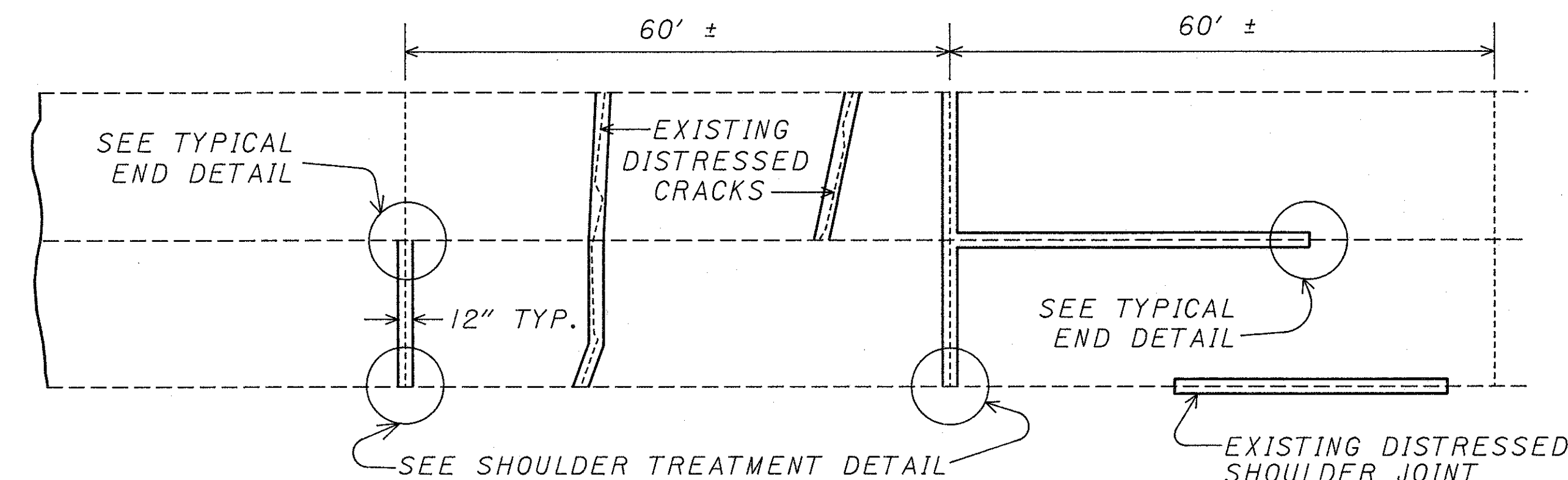
SECTION A-A
TYPICAL END DETAIL

NO SEPARATE PAYMENT WILL BE MADE FOR THESE SAW CUTS

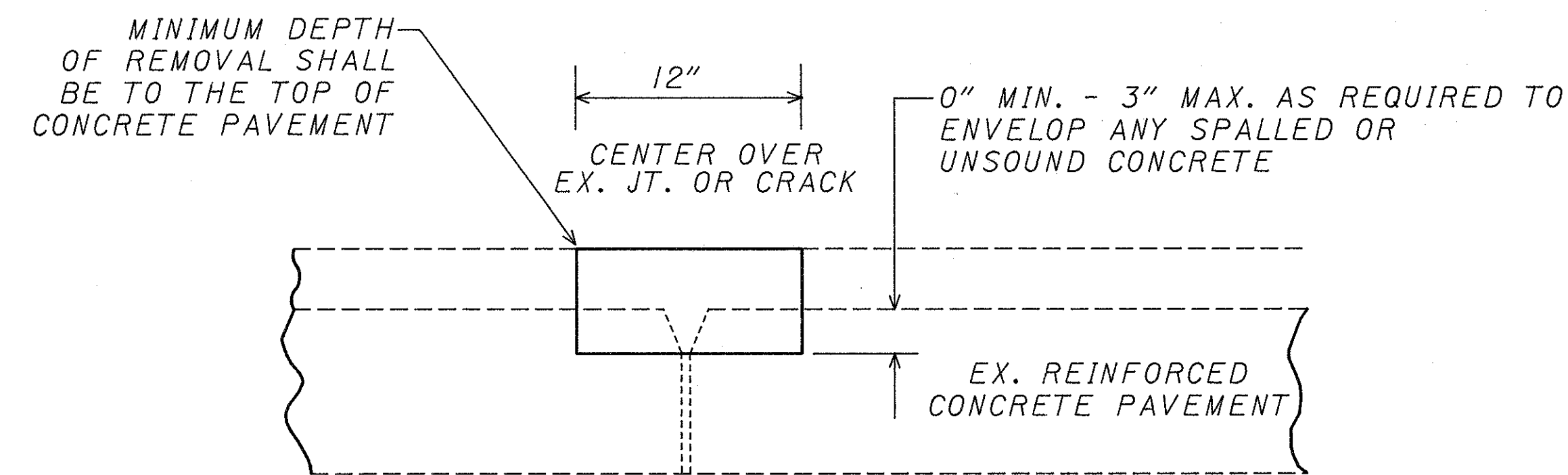


SECTION B-B
SHOULDER TREATMENT DETAIL

MEASURED QUANTITY SHALL NOT INCLUDE THE PAVED SHOULDER AREA



PARTIAL DEPTH JOINT OR CRACK REPAIR



ITEM 251 - PARTIAL DEPTH PAV'T REPAIR, AS PER PLAN

SEE GENERAL NOTES ON SHEET NO. 9 / 49 FOR ADDITIONAL INFORMATION.

ESTIMATED QUANTITY	PART 1	PART 2	
ITEM 251 - PARTIAL DEPTH PAVEMENT REPAIR, AS PER PLAN.....	1100	20000	SQ. YDS.

1
2
4
5
6
7
8
9
10
11
12
13
14
15
16
17
18
19
20
21
22
23

PLOT SUBMITTED: 4-MAY-1990 11:30

ZFI:100,350JOLK90GAG.DGN

PLOT SUBMITTED BY: GRMOVSEK