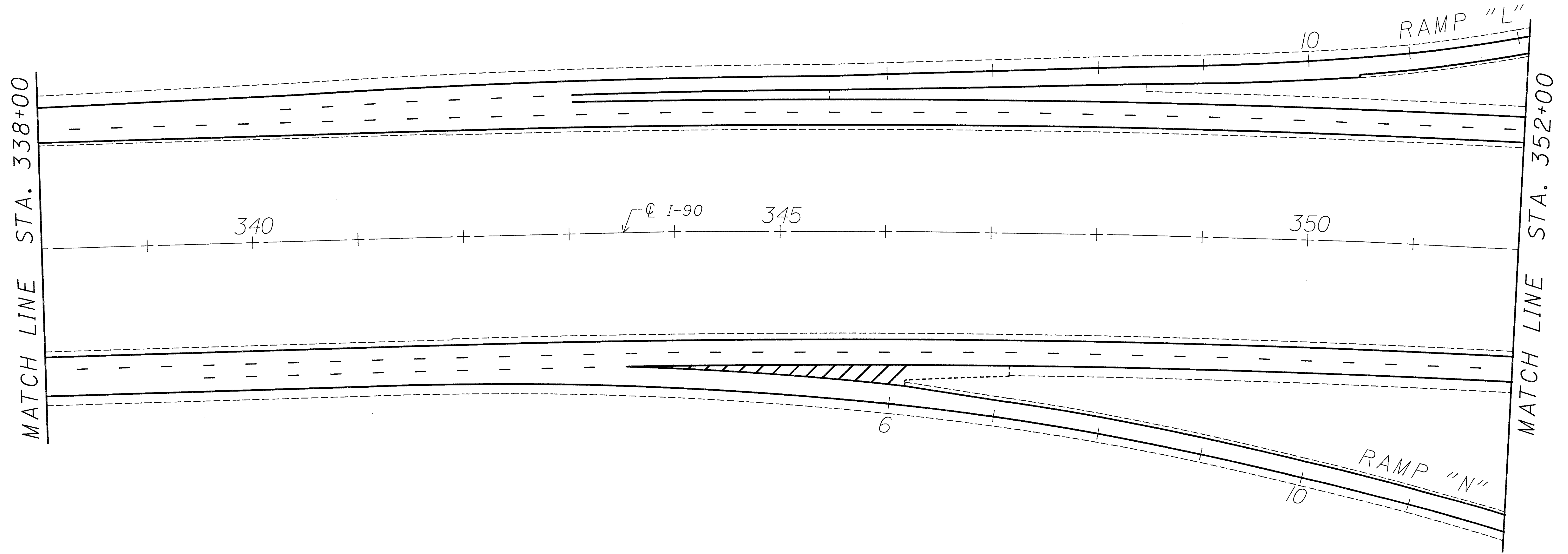
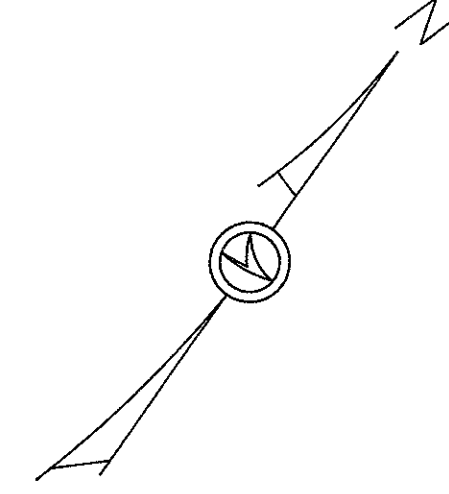
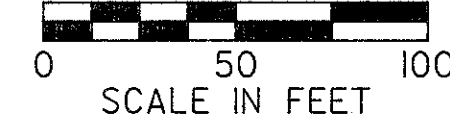


# PLAN SHEET

|                      |                 |
|----------------------|-----------------|
| LAKE COUNTY          | OHIO            |
| LAK-90/271-1.88/0.00 | FHWA REGION 5   |
|                      | FEDERAL PROJECT |

36  
49



PLOT SUBMITTED BY: GRMOVSEK

PLOT SUBMITTED BY: GRMOVSEK

ZFI:[100,350]OLK90GPU.DGN

4-MAY-1990 11:13