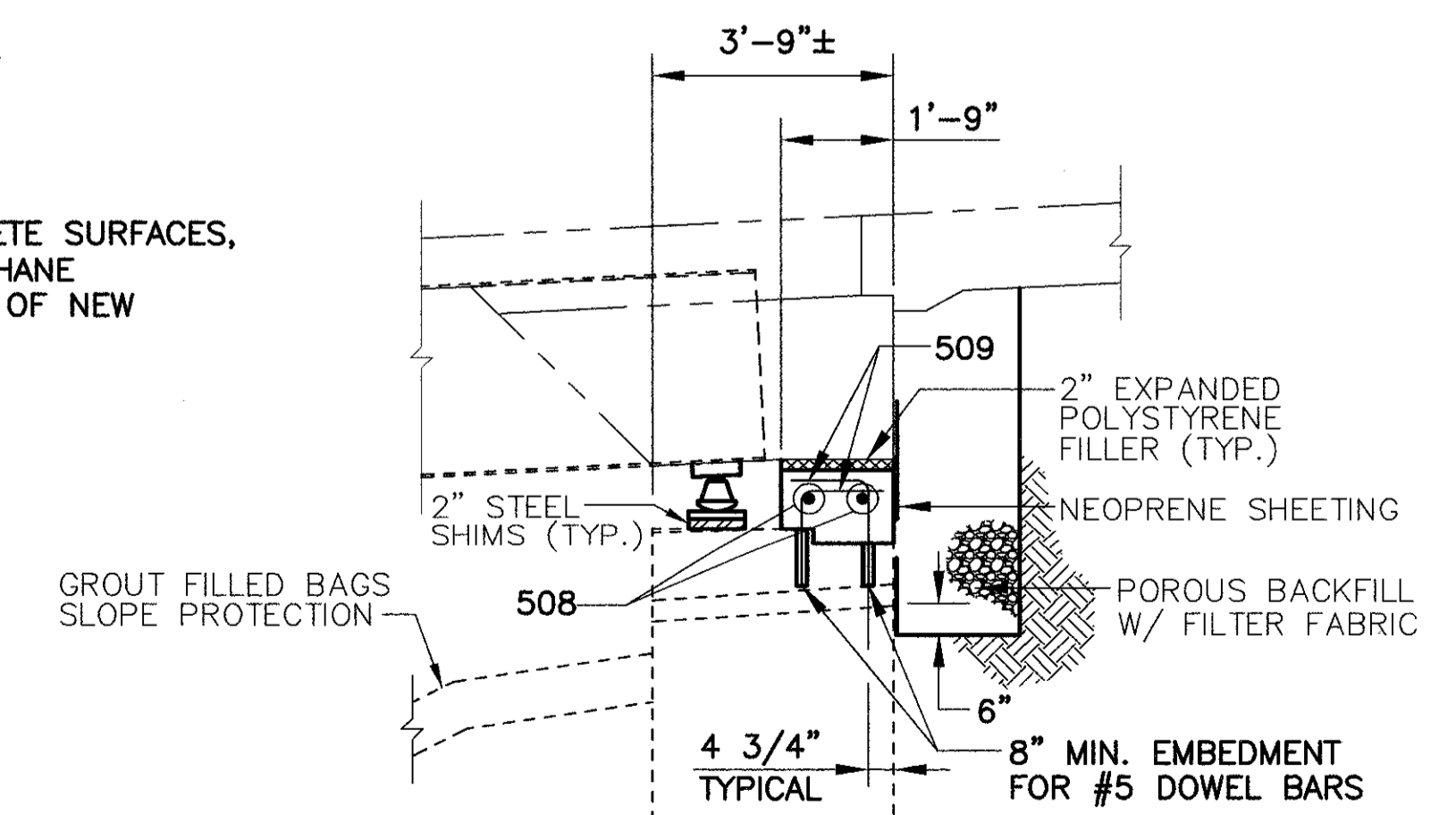
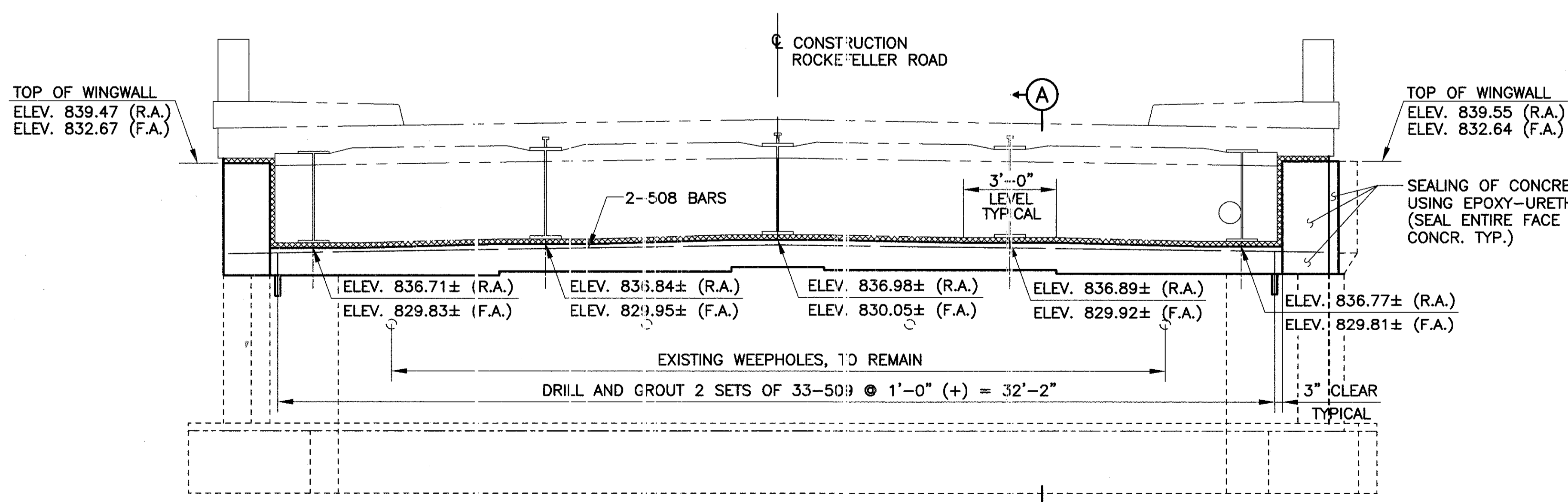
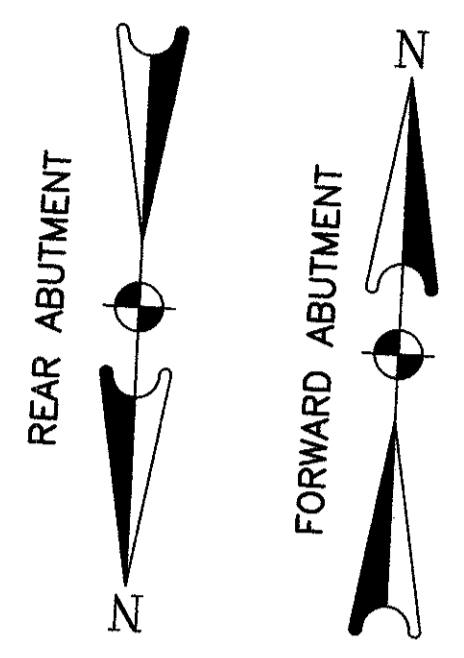
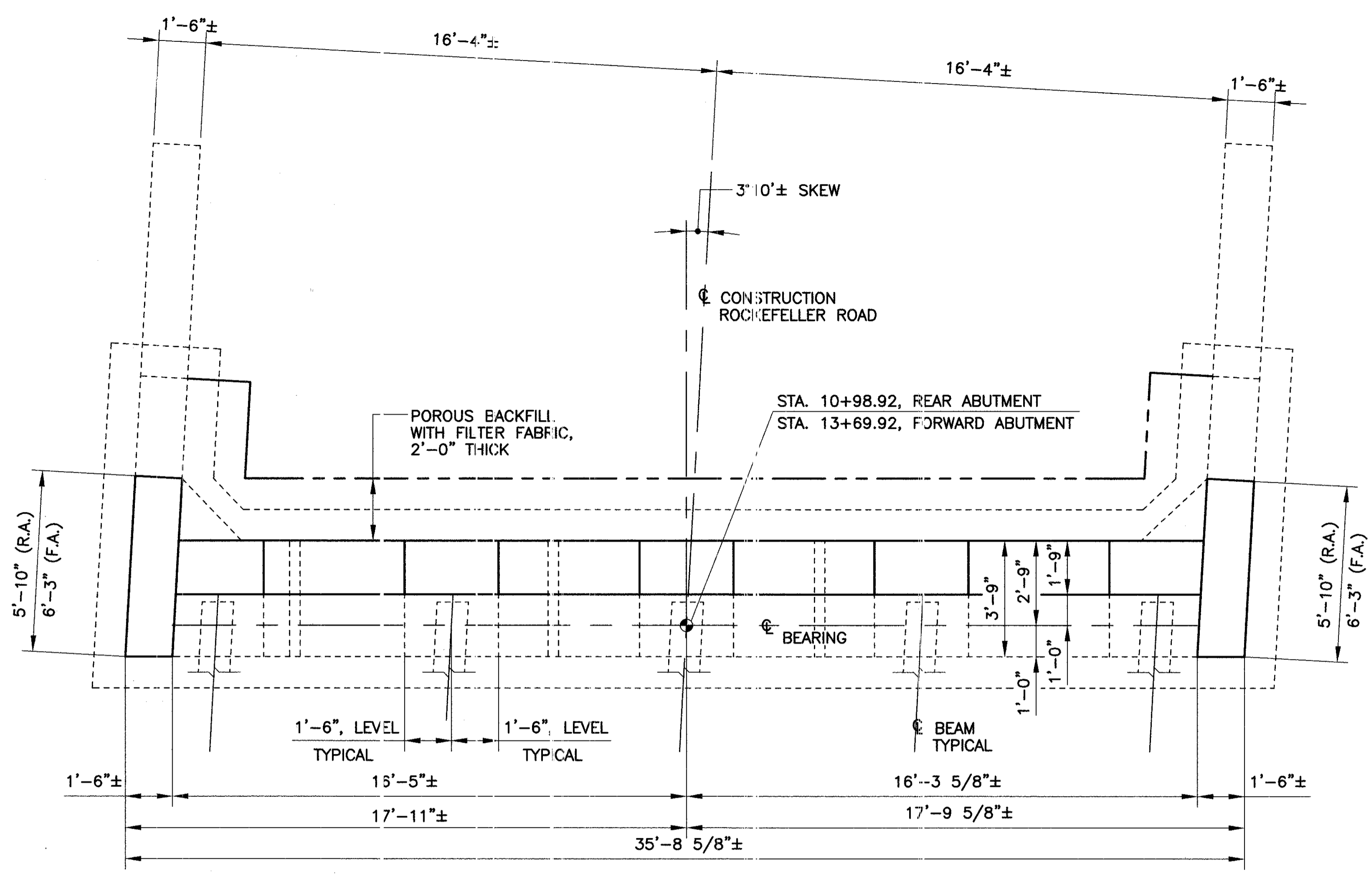


NOTES:

ELEVATIONS SHOWN ARE TO \odot BEARING ABUTMENT OR TO FACE OF BACKWALL.

THE PREFIX 'A' SHALL BE ADDED TO ALL BAR MARKS FOR THE FORWARD ABUTMENT.

ABBREVIATIONS USED ARE:
ELEV. = ELEVATION
R.A. = REAR ABUTMENT
F.A. = FORWARD ABUTMENT
CONCR. = CONCRETE
TYP. = TYPICAL



G:\201108\dwg\abutment-plan.dwg 12/28/01 10:54:18 AM EST
drawing scale : 3/8" = 1'-0"
plot scale : 1" = 32'