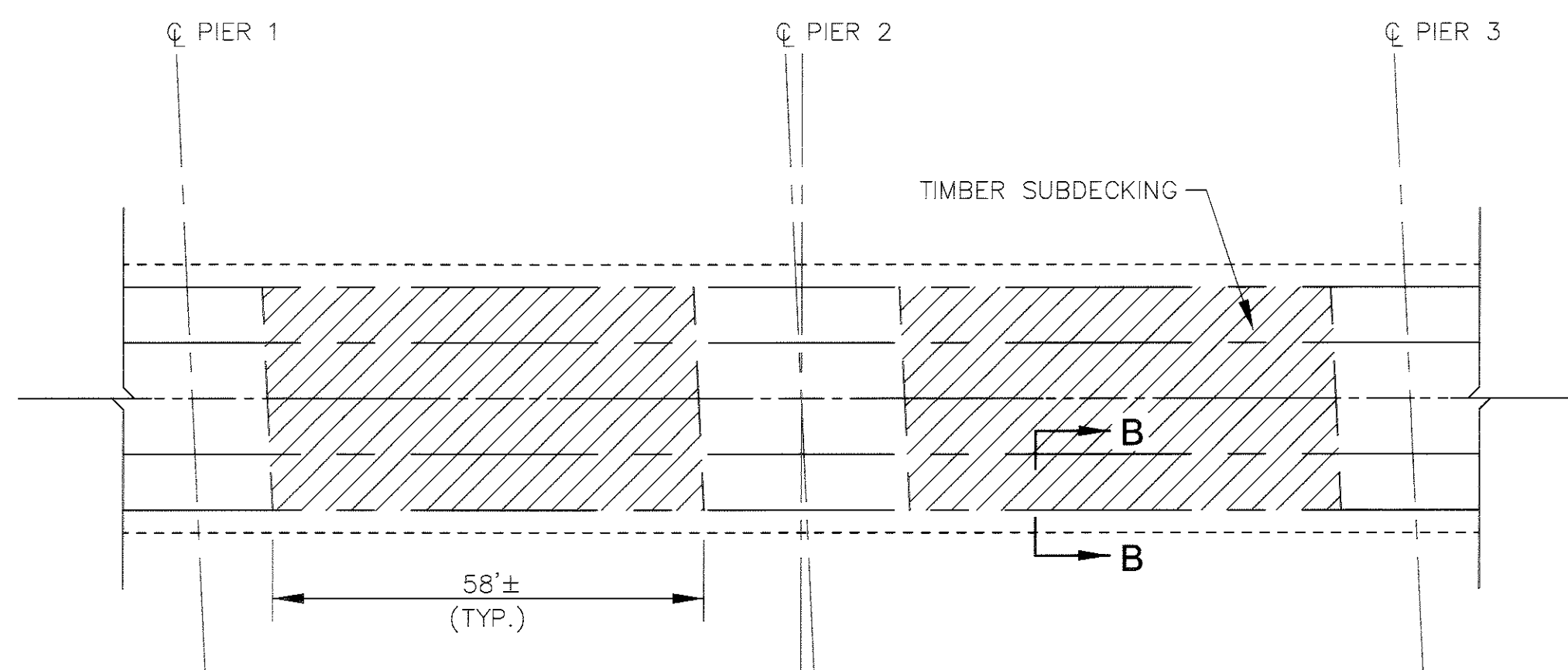
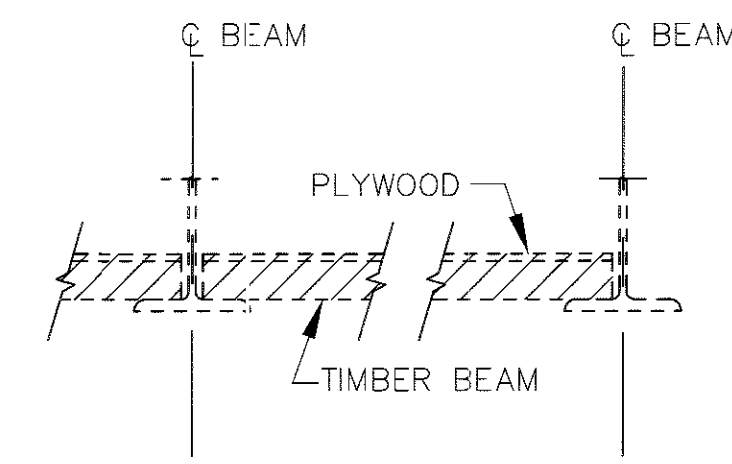


TYPICAL END CROSSFRAME AND END DAM REMOVAL

SECTION A-A

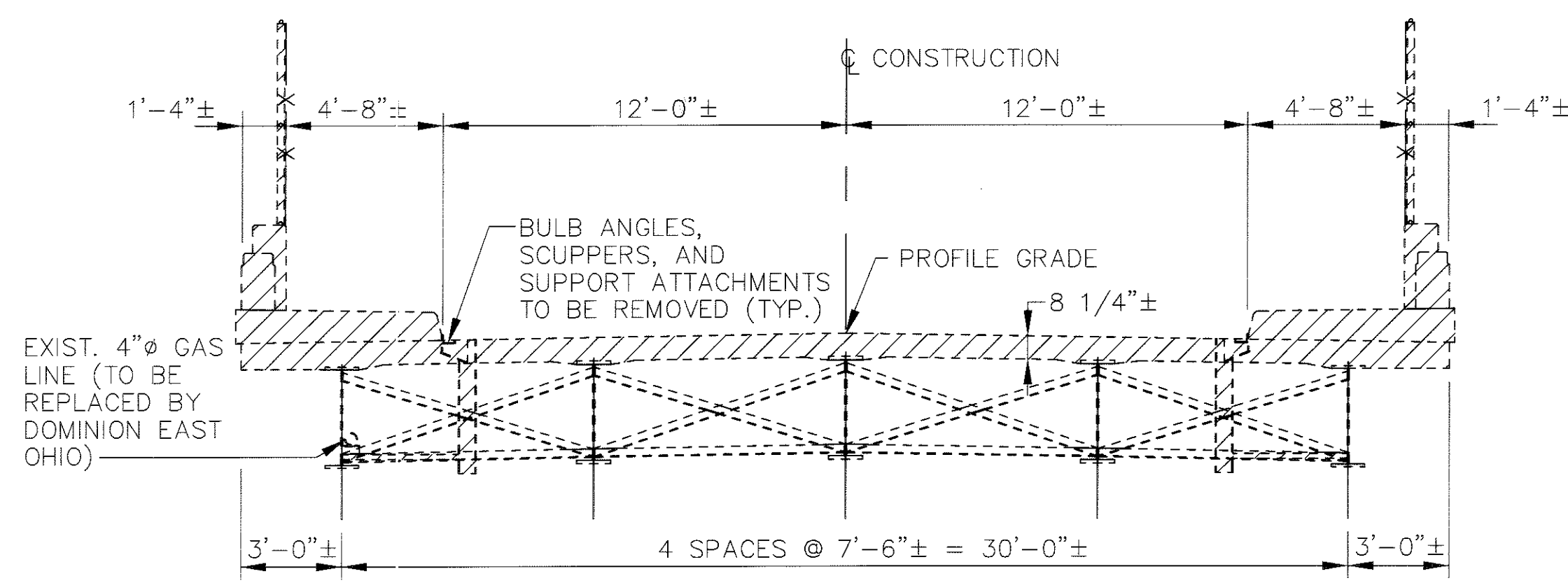


TIMBER SUB DECKING PLAN

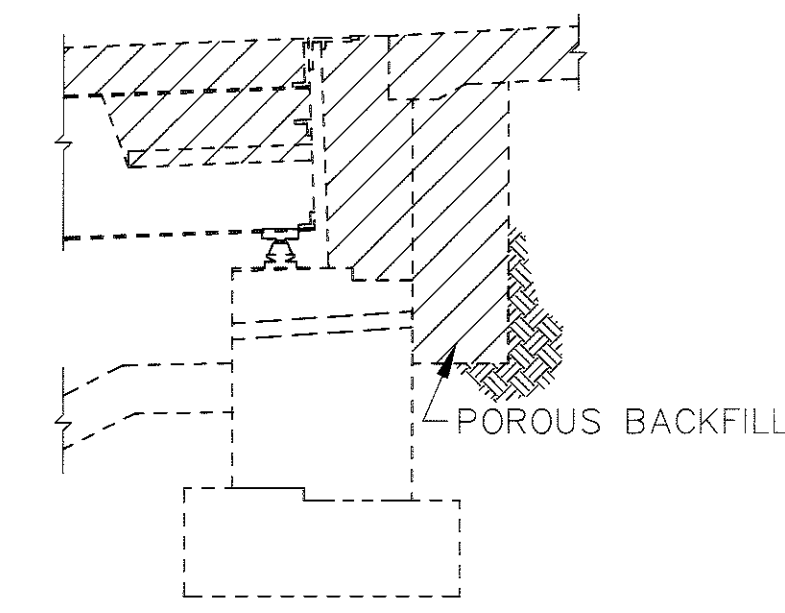


SECTION B-B

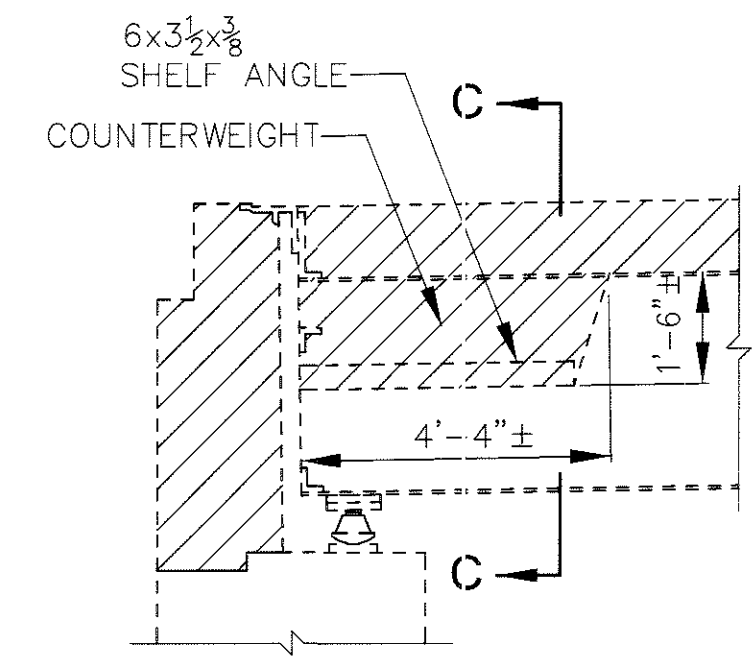
LEGEND
 - INDICATES ITEM 202- PORTIONS OF STRUCTURE TO BE REMOVED, AS PER PLAN



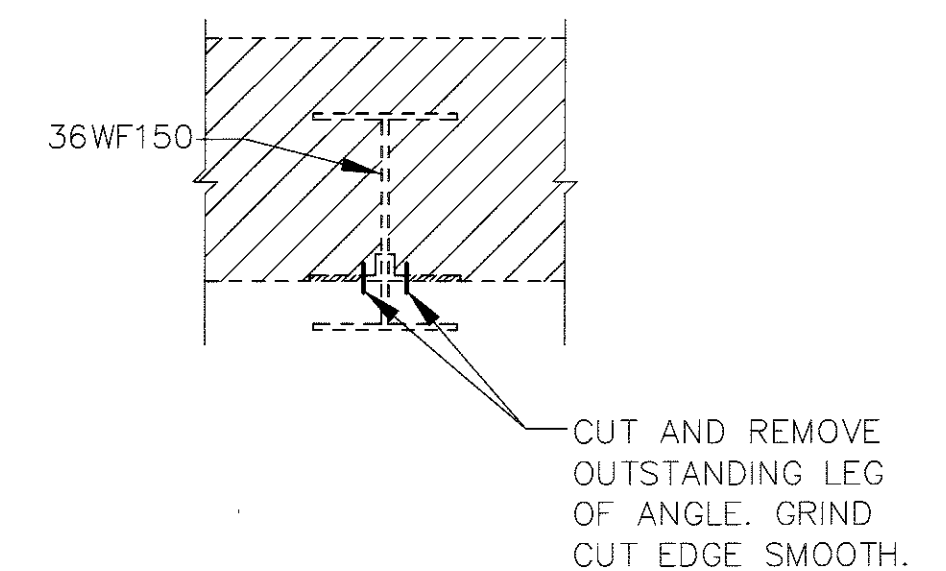
TRANSVERSE SECTION



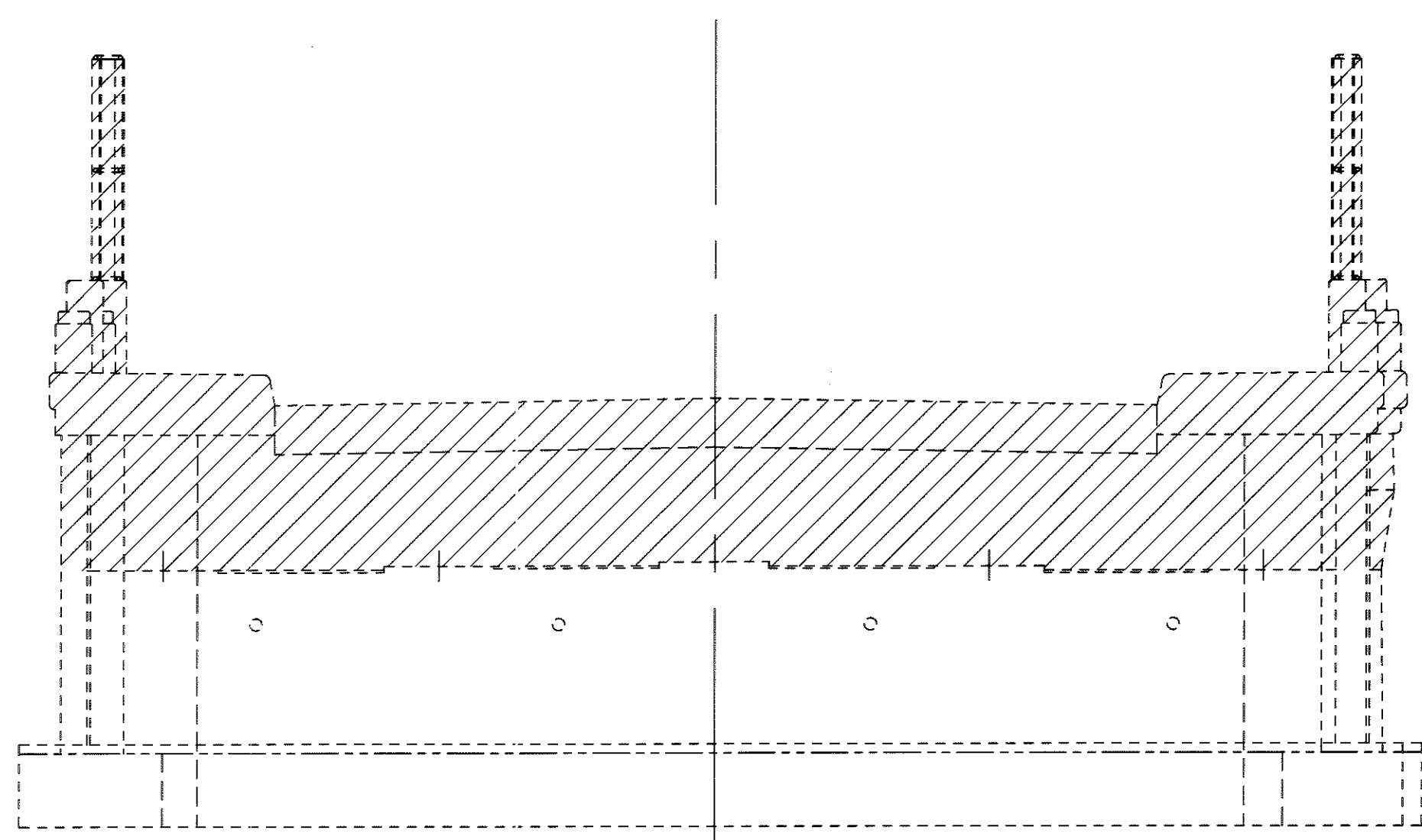
SECTION AT ABUTMENT (TYP.)



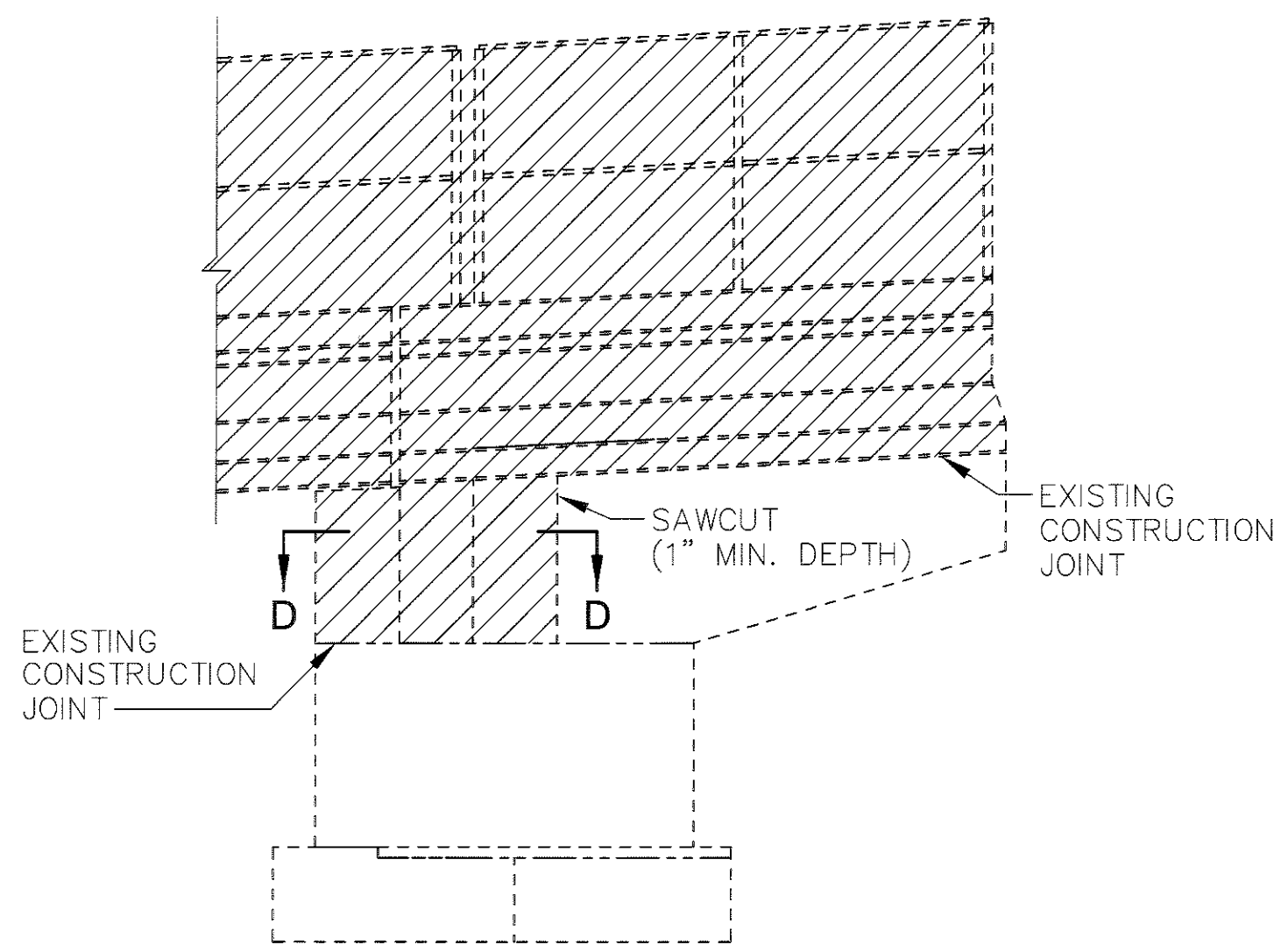
EXISTING COUNTERWEIGHT DETAIL (NORTH END SPAN ONLY)



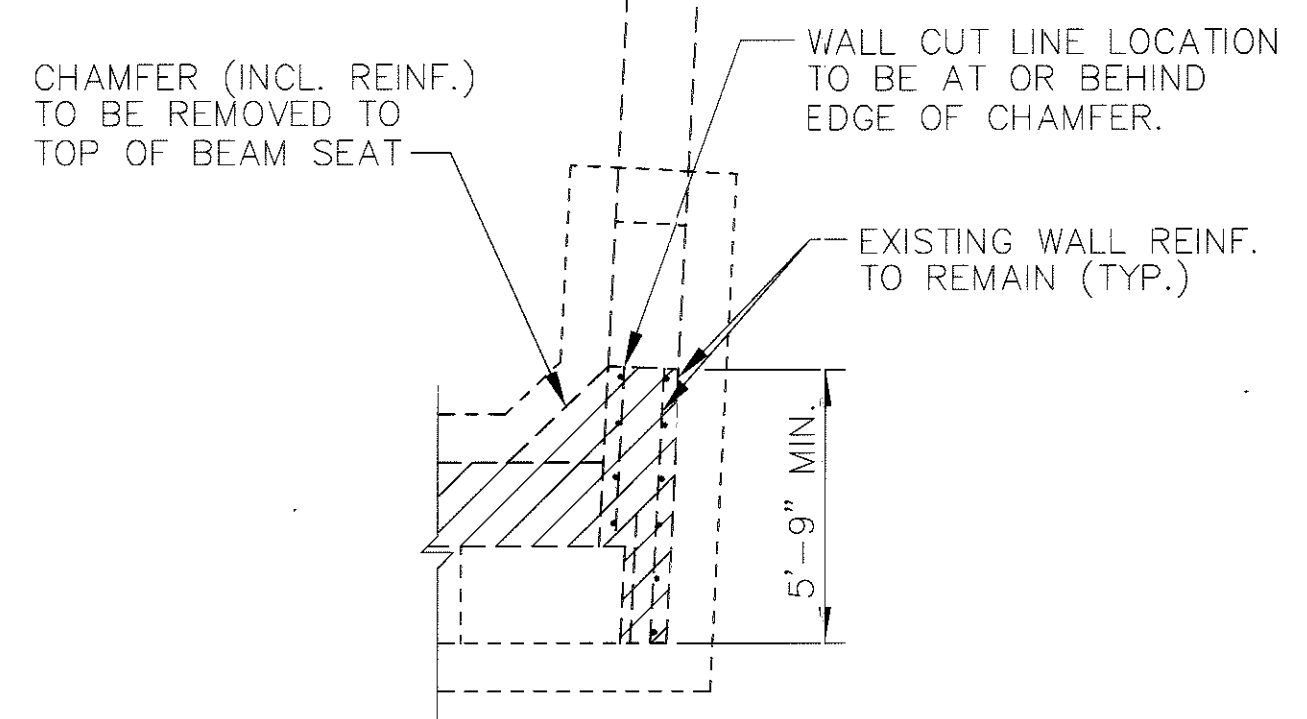
SECTION C-C



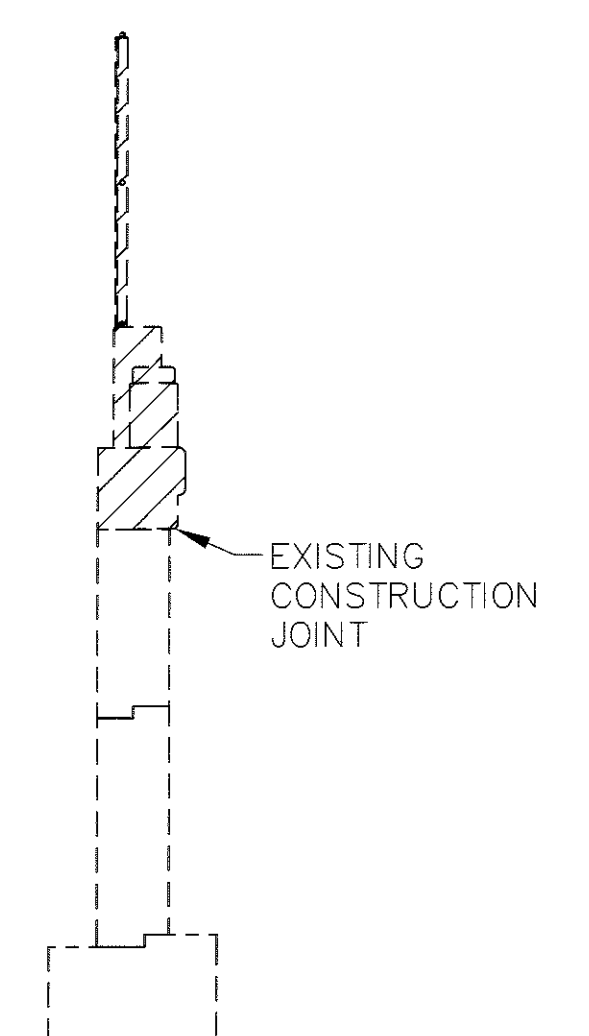
ABUTMENT ELEVATION (BEAMS AND BEARINGS NOT SHOWN)



WINGWALL ELEVATION (TYP.)



SECTION D-D



SECTION AT WINGWALL (TYP.)