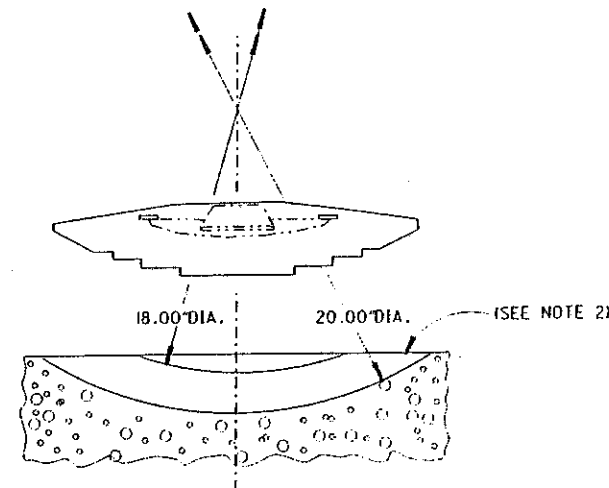
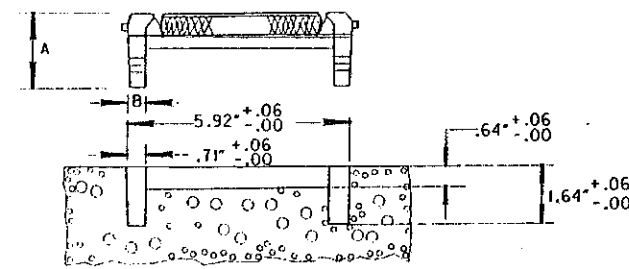
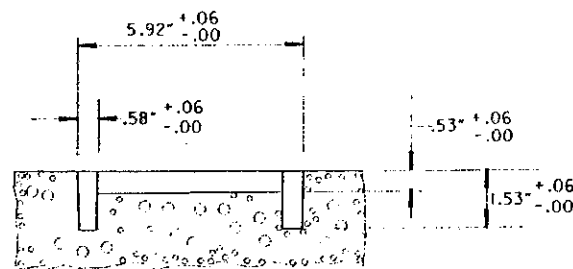
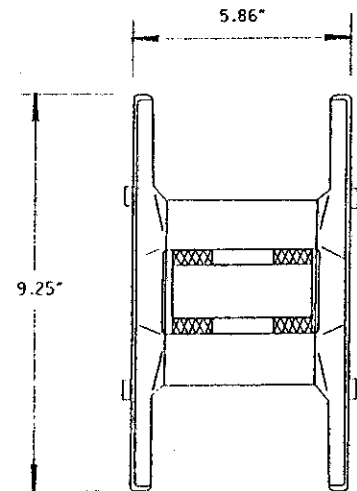


NOTES

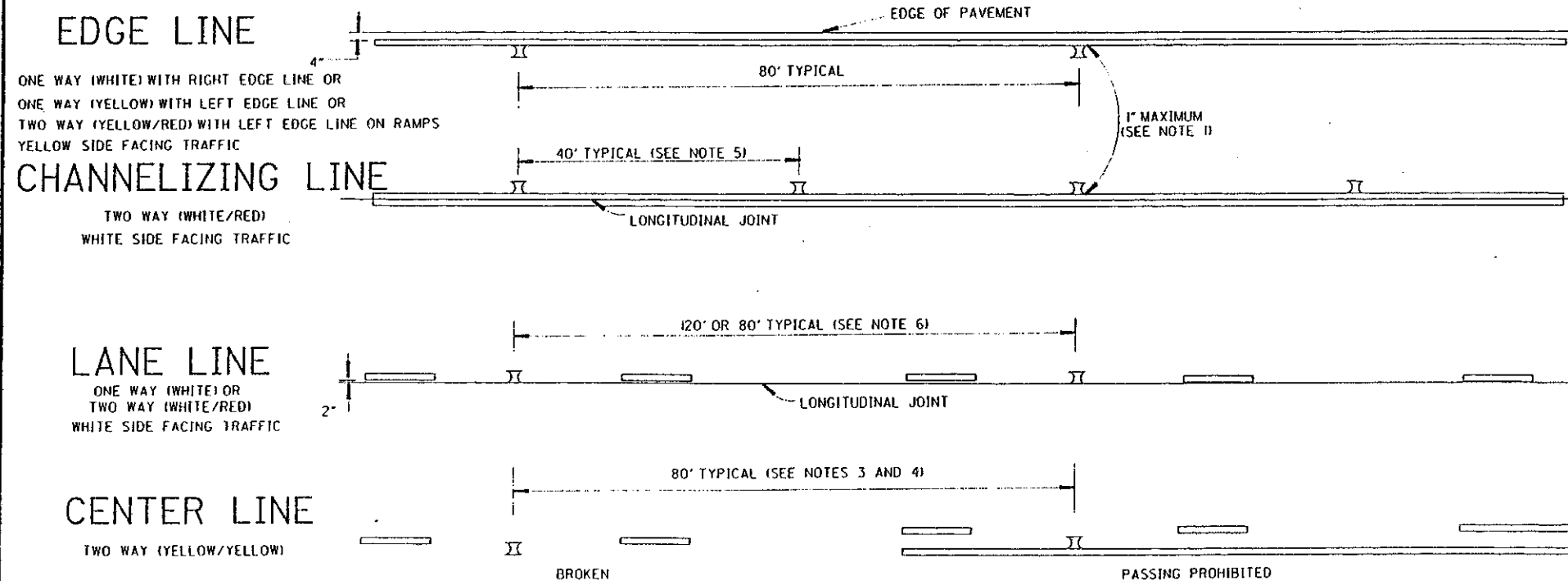
1. CENTER LINE MARKERS SHALL BE PLACED BETWEEN THE TWO LINES. MARKERS INSTALLED ALONG AN EDGE LINE OR CHANNELIZING LINE SHALL BE PLACED SO THAT THE CASTING IS NO MORE THAN 1" FROM THE NEAR EDGE OF THE LINE. MARKERS INSTALLED ALONG A LANE LINE OR DASHED YELLOW CENTER LINE SHALL BE PLACED BETWEEN AND IN LINE WITH THE DASHES. MARKERS SHALL NOT BE PLACED OVER THE LINES EXCEPT WHERE THE LINES DEVIATE VISIBLY FROM THEIR CORRECT ALIGNMENT, AND THEN ONLY WITH THE APPROVAL OF THE ENGINEER.
2. TO FACILITATE THE CUTTING OF THE TWO PARALLEL SLOTS AND INTERVENING CONCAVED SURFACE SIMULTANEOUSLY, IT IS RECOMMENDED THAT AN ARBOR AND SAW BLADES ASSEMBLY BE USED. FOR ADDITIONAL DETAILS AND TOLERANCES OF THE CASTING AND ARBOR-SAW ASSEMBLY CONTACT THE CASTING MANUFACTURE.
3. FOR HORIZONTAL CURVES OF 5° OR GREATER, THE SPACING OF THE CENTER LINE MARKERS SHALL BE REDUCED TO 40 FEET BETWEEN P.C. OR T.S. AND P.T. OR S.T.
4. FOR HORIZONTAL CURVES OF 10° OR GREATER, THE SPACING OF THE CENTER LINE MARKERS MAY BE REDUCED TO 20 FEET BETWEEN P.C. OR T.S. AND P.T. OR S.T. WHEN USING 20 FOOT SPACING, 12 RAISED PAVEMENT MARKERS AT 40 FOOT SPACING SHALL BE INSTALLED ON EACH END OF THE 20 FOOT SPACING.
5. WHEN A CHANNELIZING LINE IS LESS THAN 80 FEET IN LENGTH, ONE RAISED PAVEMENT MARKER SHALL BE PLACED AT EACH END OF THE LINE AND ONE SHALL BE PLACED IN THE CENTER OF THE LINE.
6. RAISED PAVEMENT MARKERS ON LANE LINES ON FREEWAYS SHALL BE ONE WAY WHITE SPACED AT 120 FEET. ALL OTHER RAISED PAVEMENT MARKERS ON LANE LINES ON MULTILANE OR DIVIDED ROADWAYS SHALL BE TWO WAY RED/WHITE SPACED AT 80 FEET.

	CONVENTIONAL TYPE	LOW PROFILE TYPE
A	1.74"	1.69"
B	.46"	.59"



OPTIONAL FOR CONVENTIONAL TYPE

CASTING AND SAW CUT DETAILS



TYPICAL RAISED PAVEMENT MARKER PLACEMENT WITH LONGITUDINAL PAVEMENT MARKINGS

OFFICE OF TRAFFIC ENGINEERING DIVISION OF ENGINEERING POLICY OHIO DEPARTMENT OF TRANSPORTATION	
TRAFFIC CONTROL	DATE 05/21/81 02/26/82 02/01/90 07/07/95
RAISED PAVEMENT MARKER INSTALLATION DETAILS	
STANDARD CONSTRUCTION DRAWING	TC-65.10
APPROVED <i>[Signature]</i> ADMINISTRATOR	