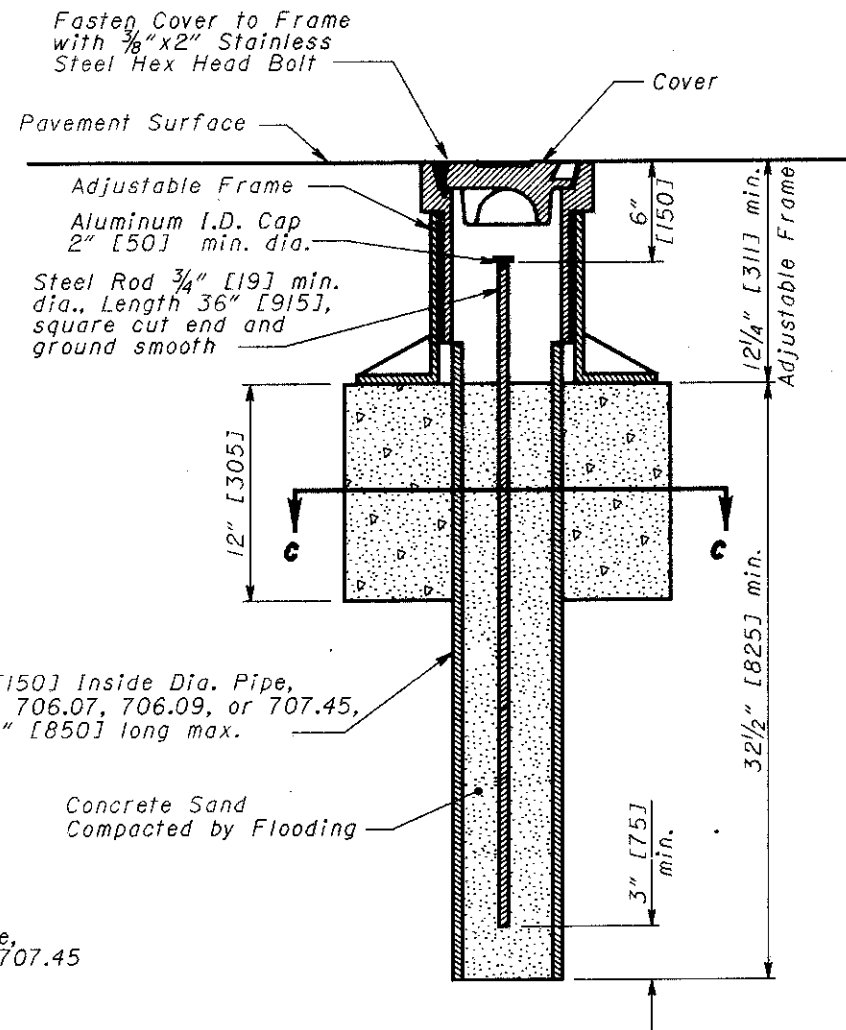
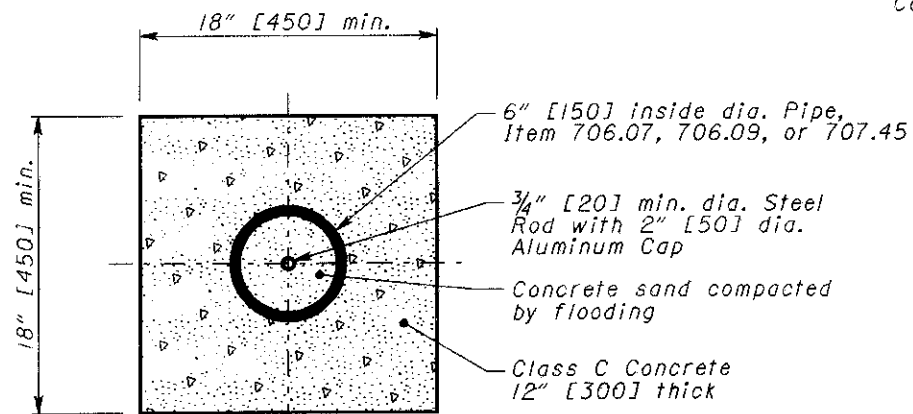


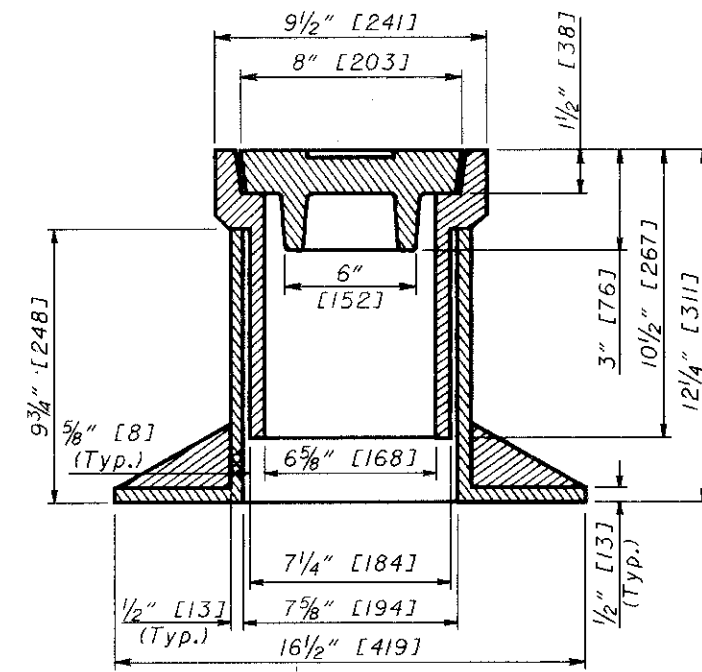
TOP VIEW



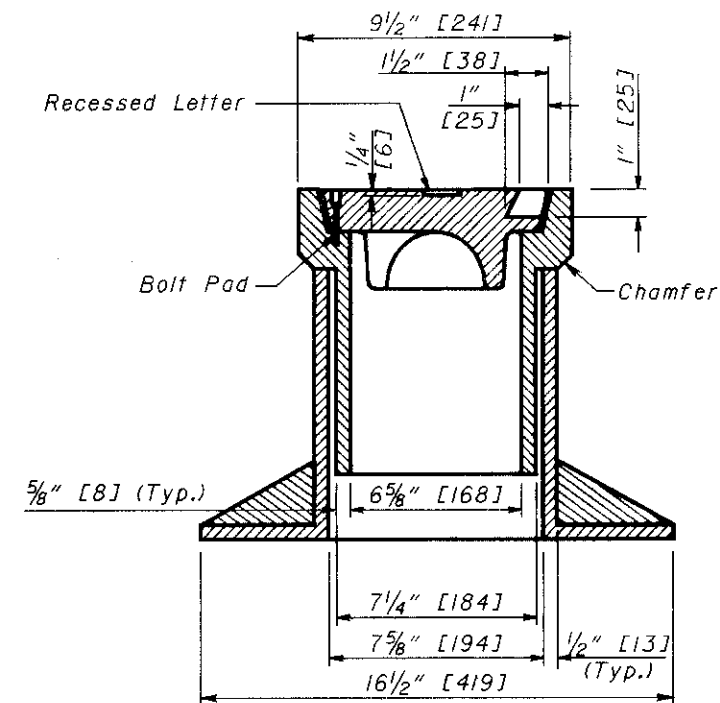
SIDE VIEW



SECTION C-C



SECTION A-A



SECTION B-B

ADJUSTABLE CENTERLINE MONUMENT DETAILS

THIS DRAWING REPLACES RM-1.1M DATED 4-8-97.

NUMBER  
RM-1.1

STANDARD ROADWAY CONSTRUCTION DRAWING  
ROADWAY MONUMENTS

DESIGN AGENCY  
OFFICE OF PLANNING

All metric dimensions (in brackets [ ]) are in millimeters unless otherwise noted.

STATUS: E.M.W. M. EVANS  
DRAWN D. FOCKE

REVISORS

OHIO DEPARTMENT OF TRANSPORTATION  
Raymond J. Sattler  
ROADWAY DESIGN ENGINEER  
4-29-99  
DATE