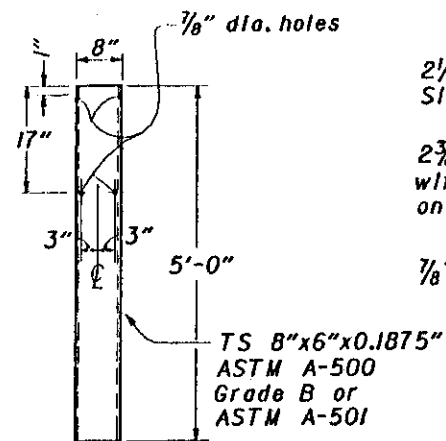
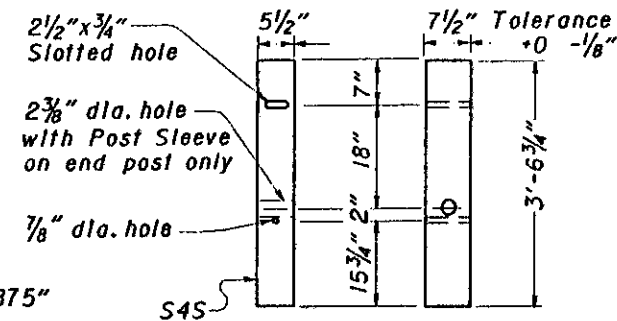


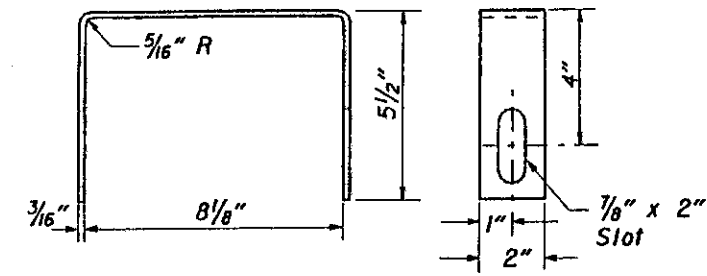
**TYPE 1 BREAKAWAY POST**



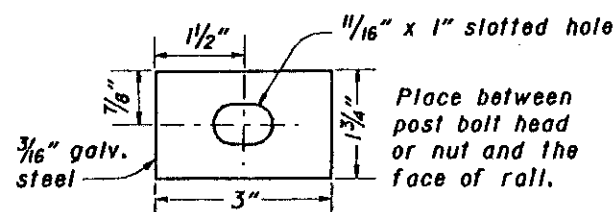
**STEEL TUBE**



**TYPE 2 BREAKAWAY POST**

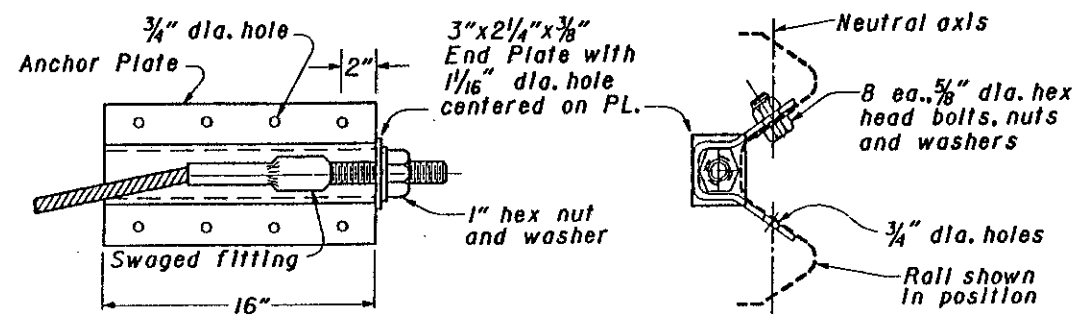


**YOKE DETAILS**

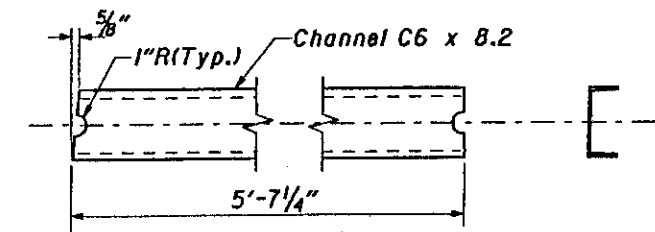


**RECTANGULAR WASHER**

(Not to be used in typical Type 4, 5 or 5A guardrail installations. Use only where specified.)

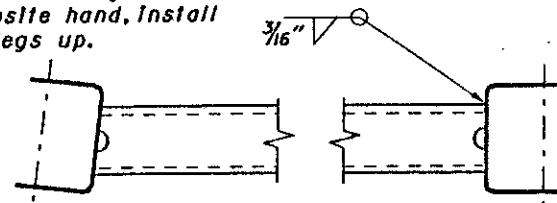


**ANCHOR PLATE ASSEMBLY DETAILS**

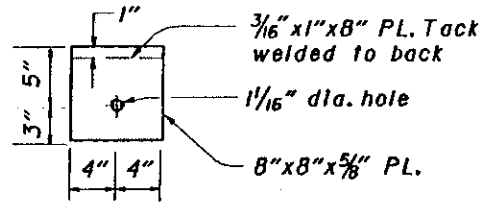


**STRUT DETAILS**

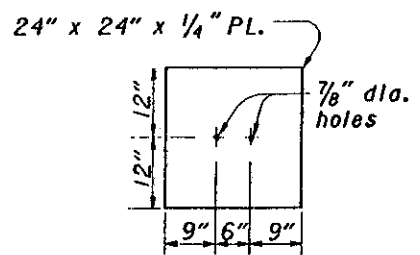
Shown, channel legs down. For opposite hand, install channel legs up.



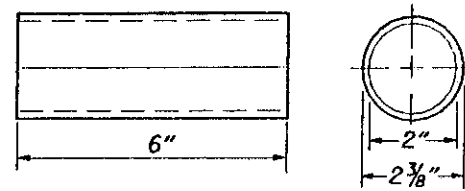
**STRUT AND YOKE ASSEMBLY**



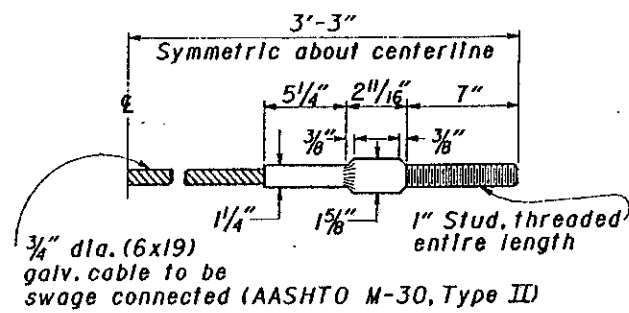
**BEARING PLATE**



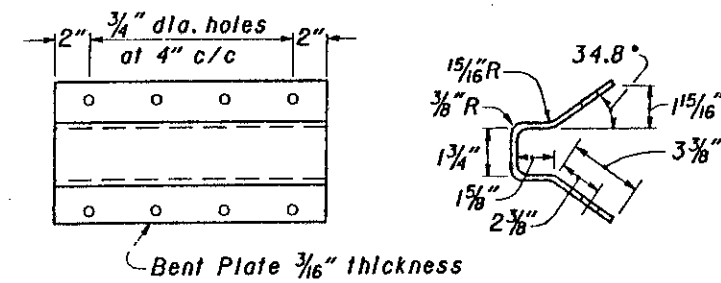
**SOIL PLATE**



**POST SLEEVE**



**STANDARD SWAGED FITTING AND STUD CABLE ASSEMBLY**



**ANCHOR PLATE**

BUREAU OF LOCATION AND DESIGN  
OHIO DEPARTMENT OF TRANSPORTATION

**GUARDRAIL  
DETAILS**

STANDARD CONSTRUCTION DRAWING **GR-1.3**

APPROVED *D.K. Helman* ENGR., L & D

DATE  
2-21-92