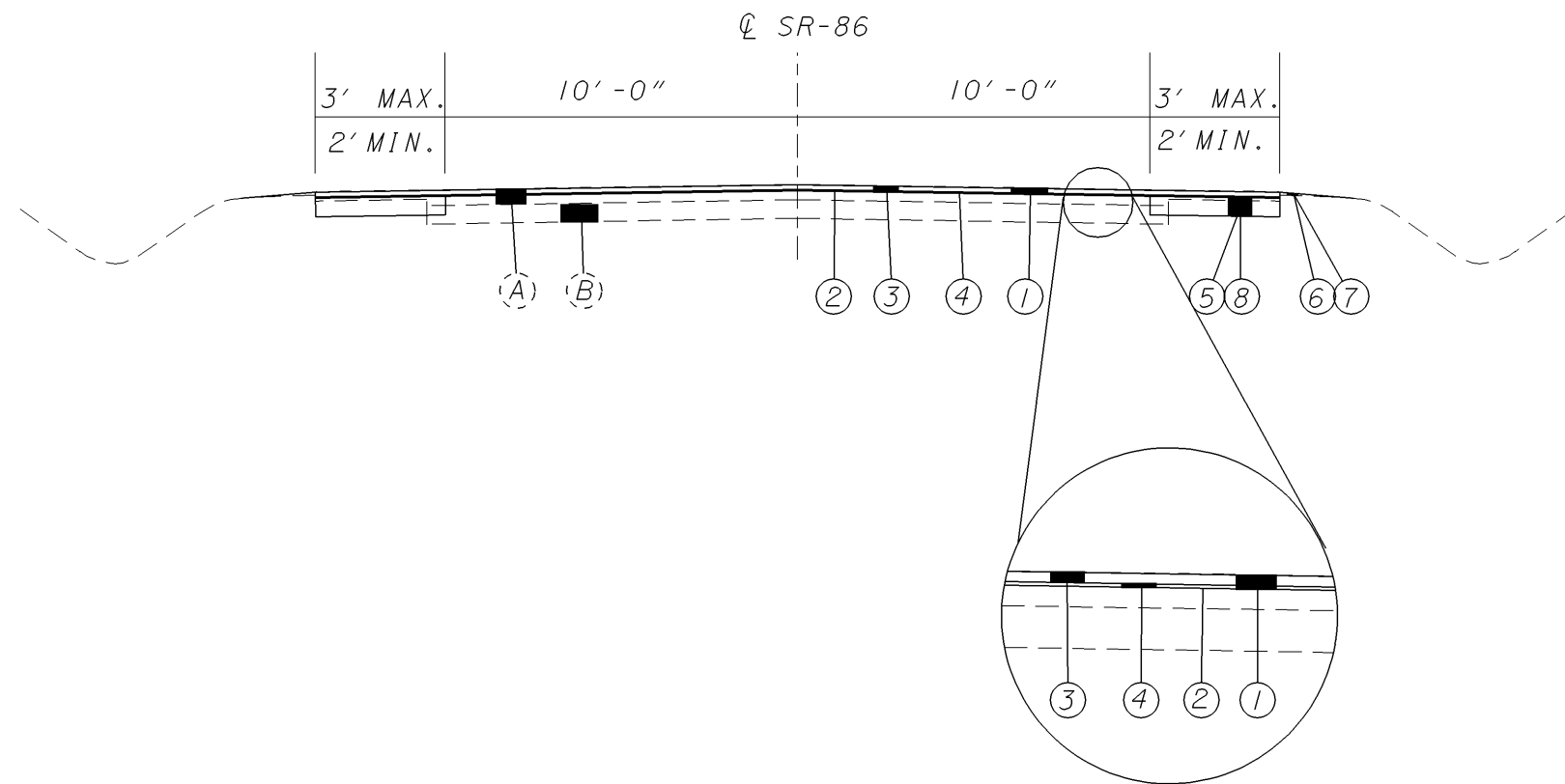


I:\PROJECTS\11d2196\2196gya.dgn 29-JAN-2002 10:56AM jgrmovse



EXISTING LEGEND

- (A) ASPHALT OVERLAY (5"±)
- (B) MACADAM (6"±)
- (C) AGGREGATE BASE

PROPOSED LEGEND

- ① ITEM 254 - PAVEMENT PLANING, BITUMINOUS (2")
- ② ITEM 407 - TACK COAT
- ③ ITEM 446 - ASPHALT CONCRETE SURFACE COURSE, TYPE 1, PG 70-22, AS PER PLAN (1 1/2")
- ④ ITEM 448 - ASPHALT CONCRETE INTERMEDIATE COURSE, TYPE 1, PG 64-22 (0"-1/2")
- ITEM 407 - TACK COAT FOR INTERMEDIATE COURSE
- ⑤ ITEM 203 - EXCAVATION WITHOUT EMBANKMENT CONSTRUCTION
- ⑥ ITEM 203 - LINEAR GRADING
- ⑦ ITEM 617 - COMPACTED AGGREGATE, TYPE A, AS PER PLAN
- ⑧ ITEM 301 - BITUMINOUS AGGREGATE BASE, PG 64-22

CALCULATED  
KAS  
CHECKED  
EMK

SCALE IN FEET

TYPICAL SECTION  
SR-86

LAKE COUNTY  
LAK-86-2.68