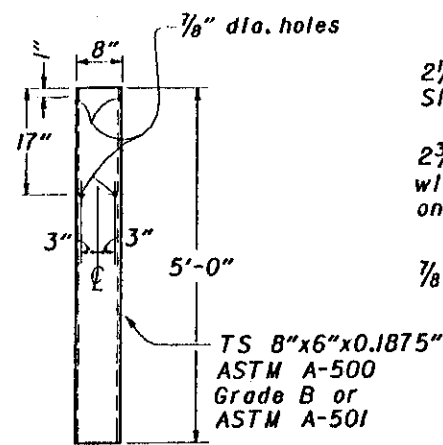
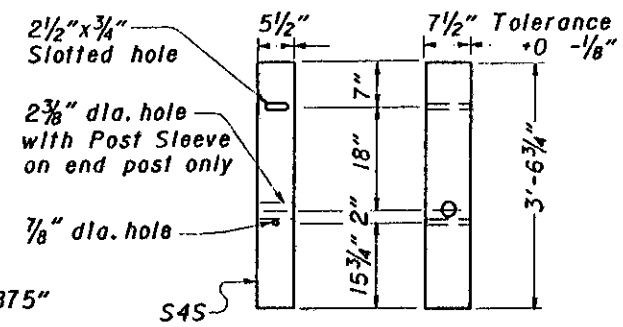


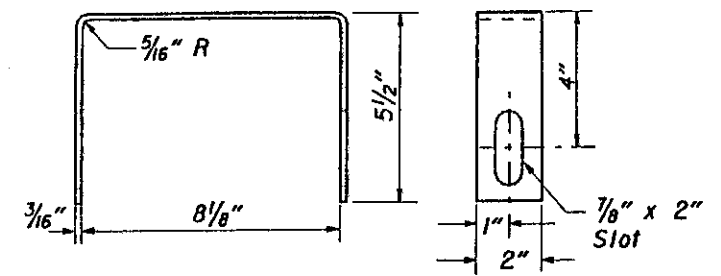
TYPE 1 BREAKAWAY POST



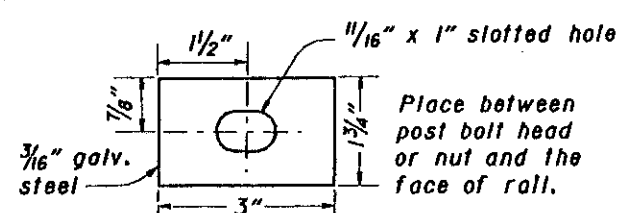
STEEL TUBE



TYPE 2 BREAKAWAY POST

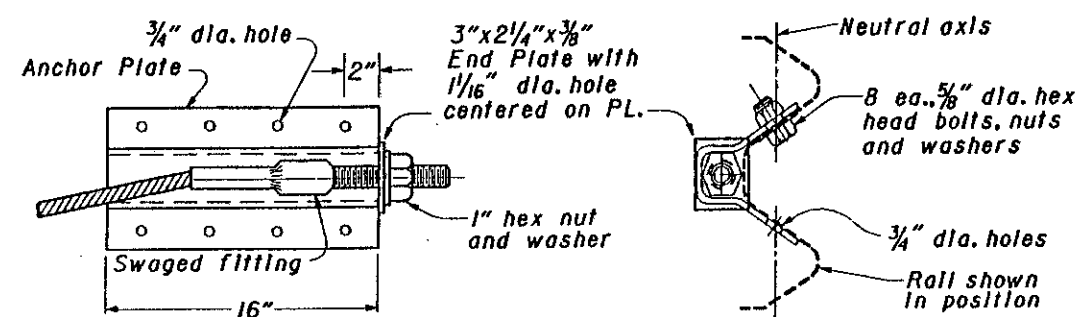


YOKE DETAILS

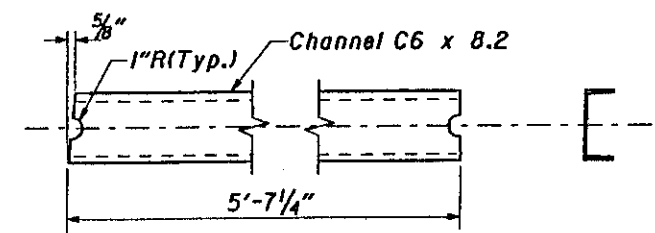


RECTANGULAR WASHER

(Not to be used in typical Type 4, 5 or 5A guardrail installations. Use only where specified.)

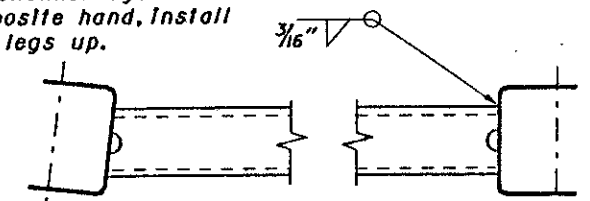


ANCHOR PLATE ASSEMBLY DETAILS

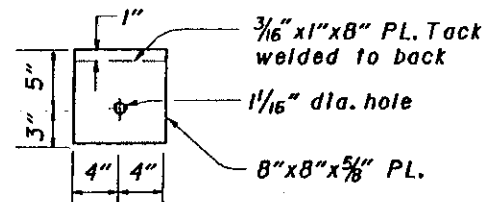


STRUT DETAILS

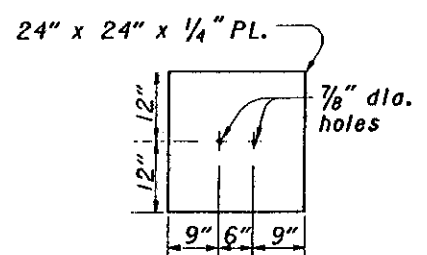
Shown, channel legs down. For opposite hand, install channel legs up.



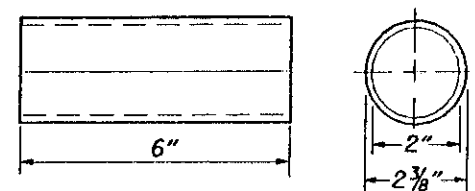
STRUT AND YOKE ASSEMBLY



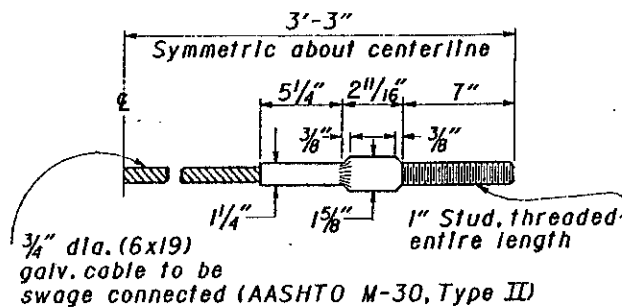
BEARING PLATE



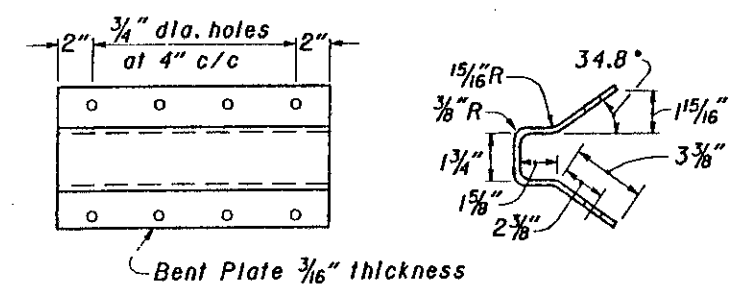
SOIL PLATE



POST SLEEVE



STANDARD SWAGED FITTING AND STUD CABLE ASSEMBLY



ANCHOR PLATE

BUREAU OF LOCATION AND DESIGN OHIO DEPARTMENT OF TRANSPORTATION	
GUARDRAIL DETAILS	
STANDARD CONSTRUCTION DRAWING	GR-1.3
APPROVED <i>D.K. Helman</i> ENGR., L & D	DATE 2-21-92