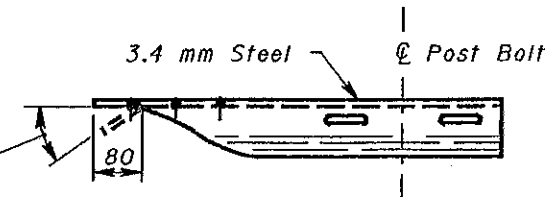
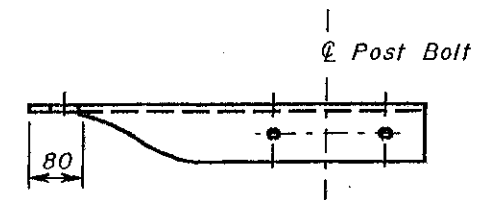


PLAN

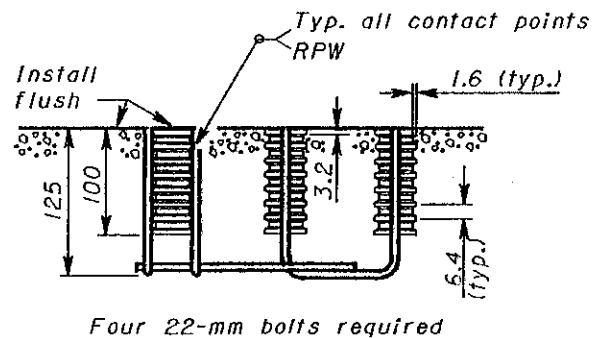
25.5° bend and additional \emptyset hole required only for use with Type B Anchor Assembly



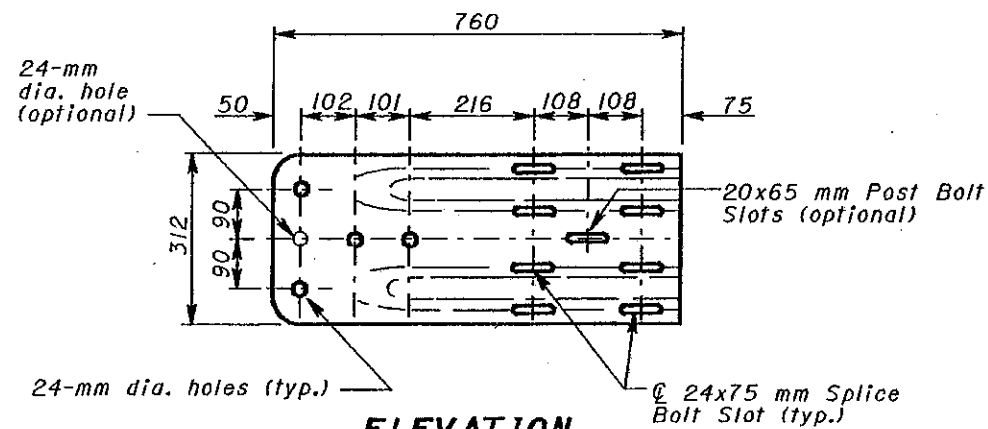
PLAN



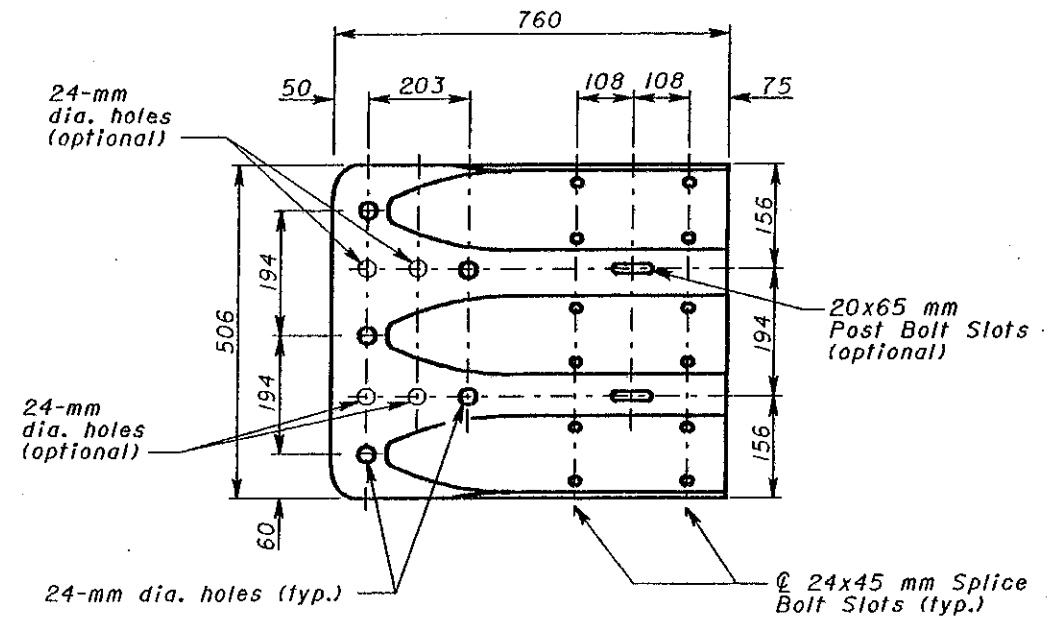
PLAN



ELEVATION



ELEVATION

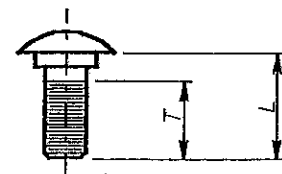


ELEVATION

THRIE-BEAM TERMINAL CONNECTOR

CONCRETE INSERT ANCHOR ASSEMBLY (W-BEAM ONLY)

W-BEAM TERMINAL CONNECTOR



L (mm)	T min. (mm)	Bolt Use
455 (Standard Rail)	85	Type 5: WP/WB, PB
660 (Barrier Rail)		Type 5: WP/WB, PB
255	60	Type 4: WP Type 5: SP/WB, PB
50	35	Type 4: SP
32	Full	Splice Bolt

WP- wood post WB- wood blackout
 SP- steel post PB- plastic blackout
 Longer bolt may be needed for round WP larger than 200 mm dia.

BUTTON HEAD BOLT (For post and splice bolts)

All dimensions are in millimeters unless otherwise noted.

NOTE

Refer to AASHTO M 180 for dimensional details of W-Beam and Thrie-Beam rail elements, related buffer and end sections, beam splices, post and splice bolts and nuts, and Type I W-Beam to Thrie-Beam Transition section.



OHIO DEPARTMENT OF TRANSPORTATION

GUARDRAIL DETAILS

DATE
11-30-94
10-21-97

STANDARD CONSTRUCTION DRAWING GR-1.1M

APPROVED *Randy T. Sutherland*