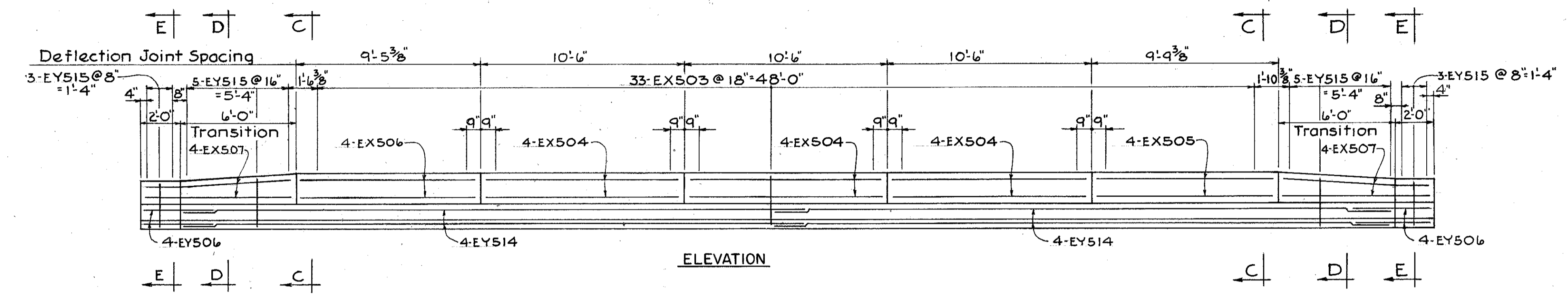
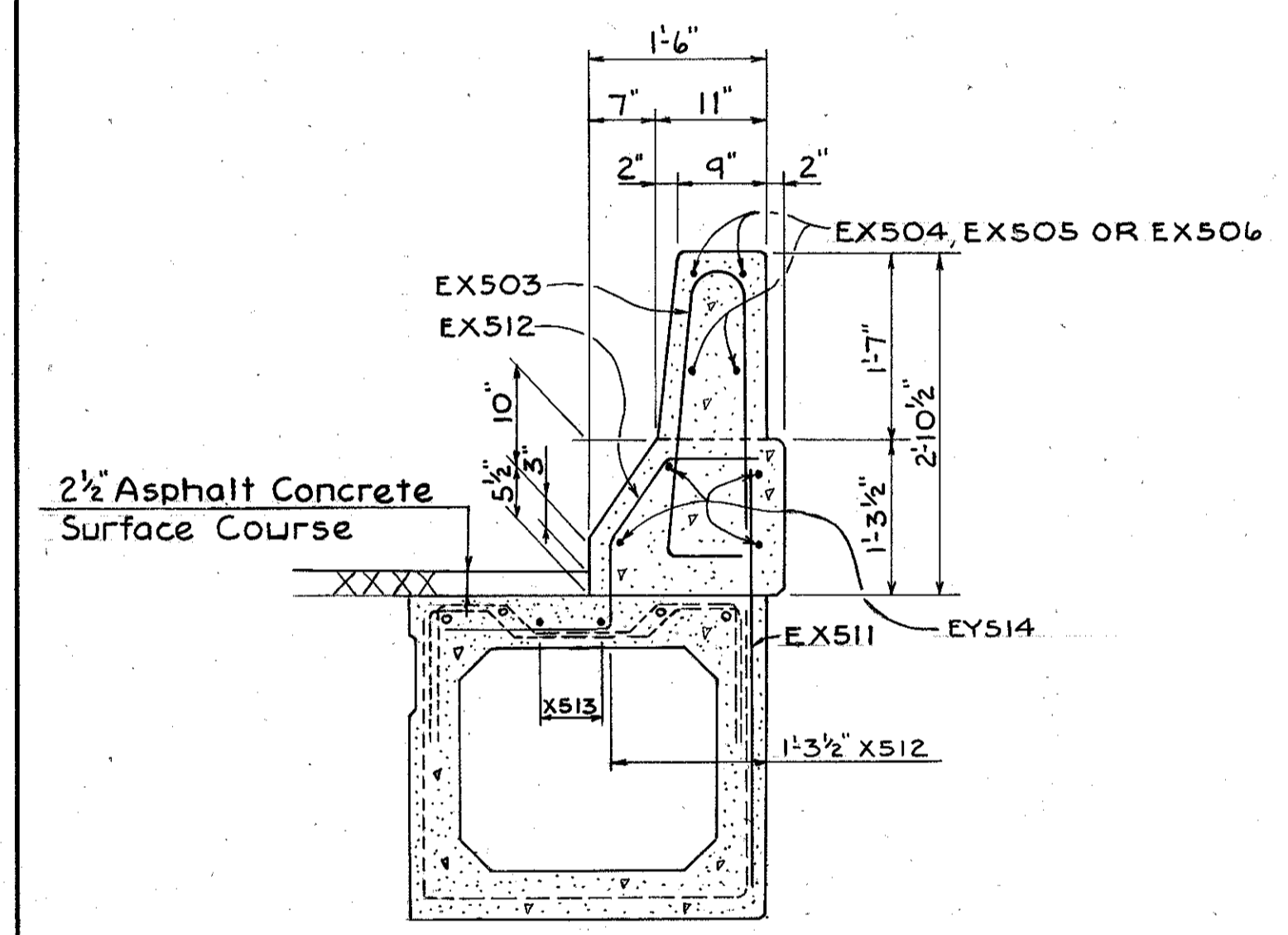


PLAN

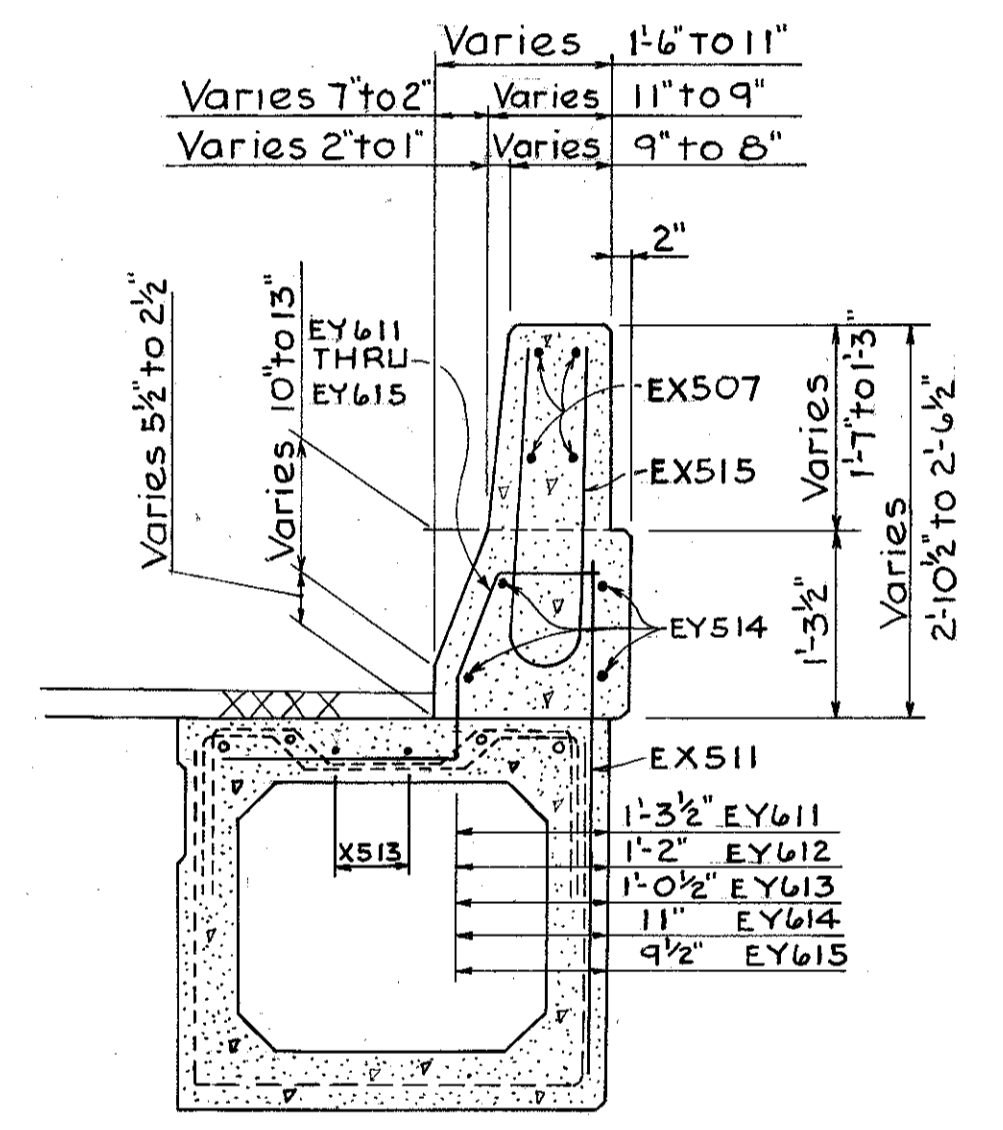


ELEVATION

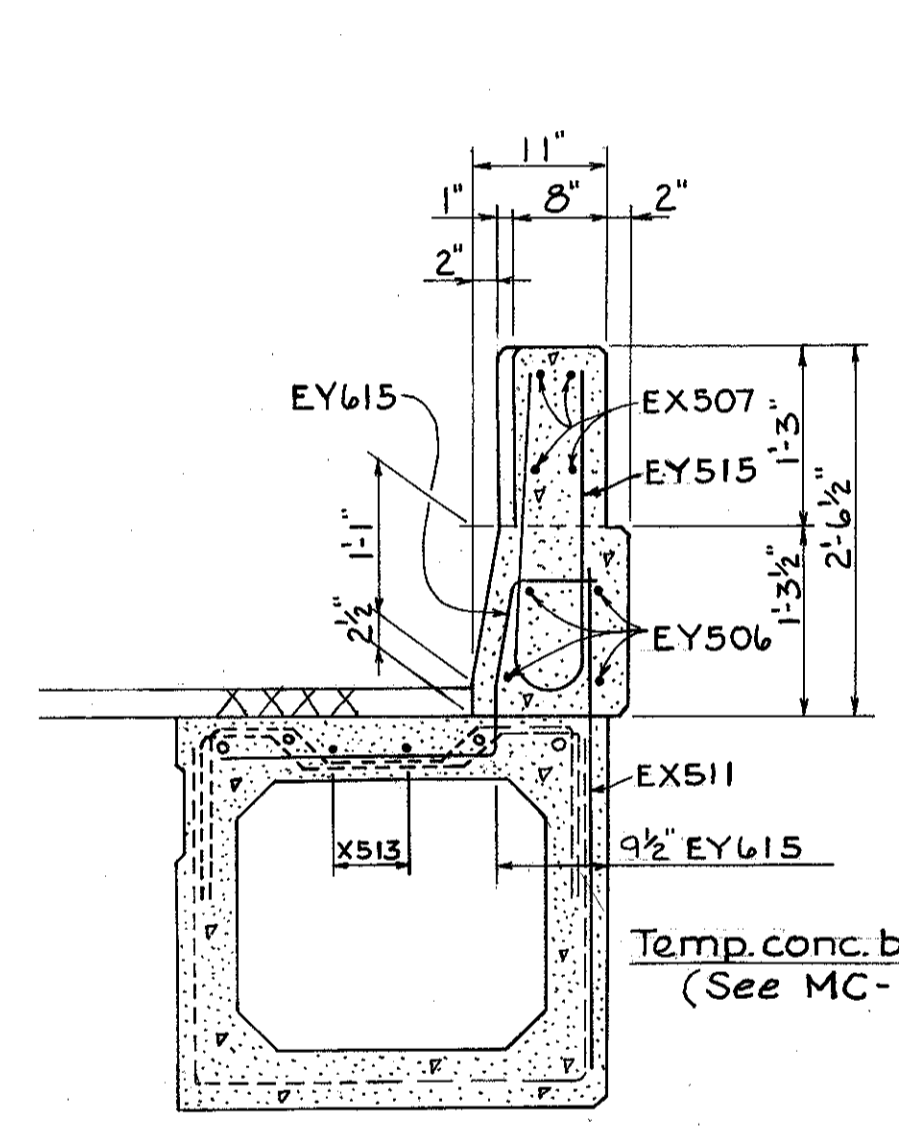
PARAPET REINFORCEMENT



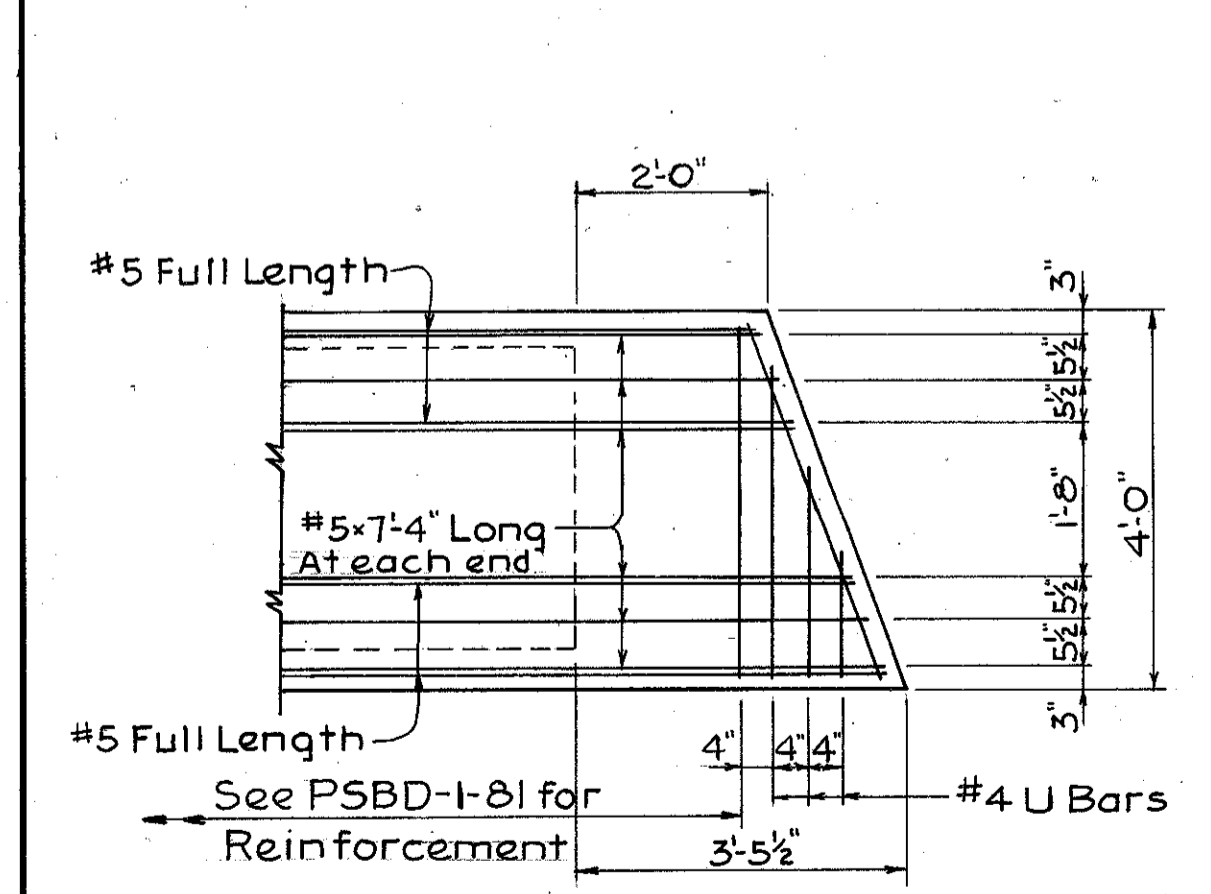
SECTION C-C



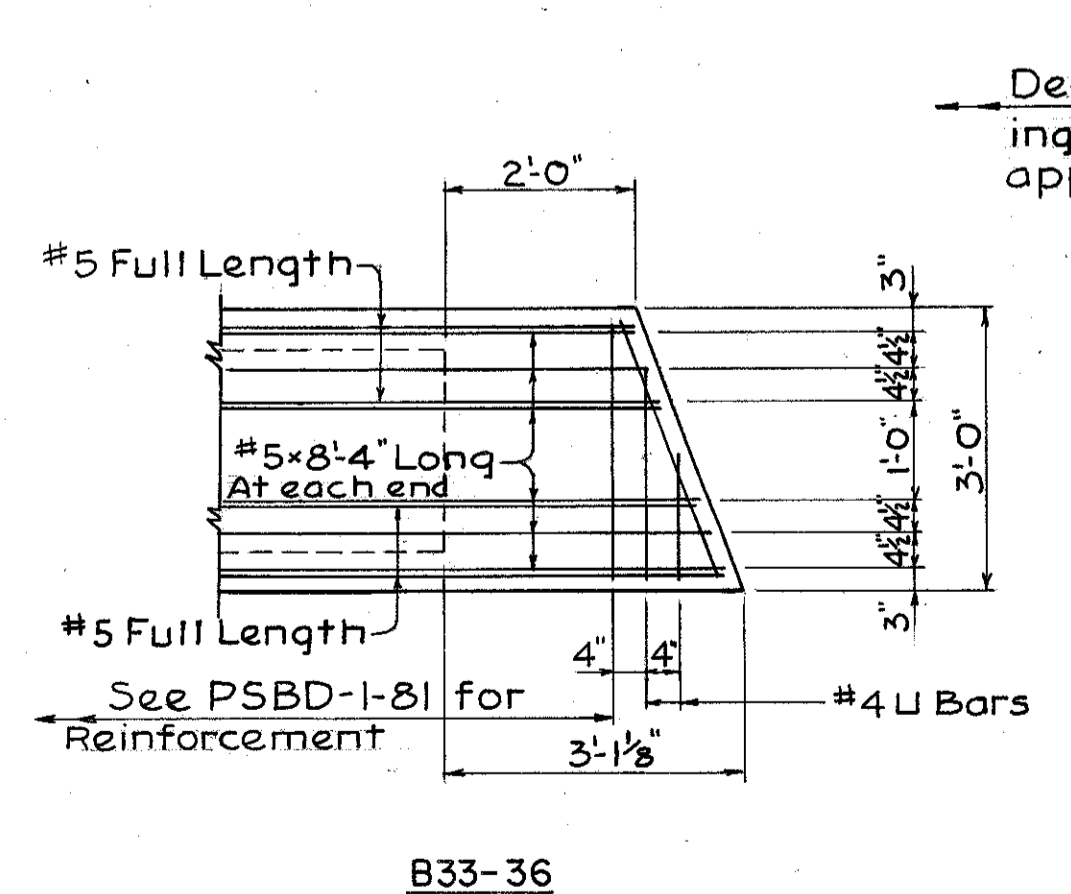
SECTION D-D



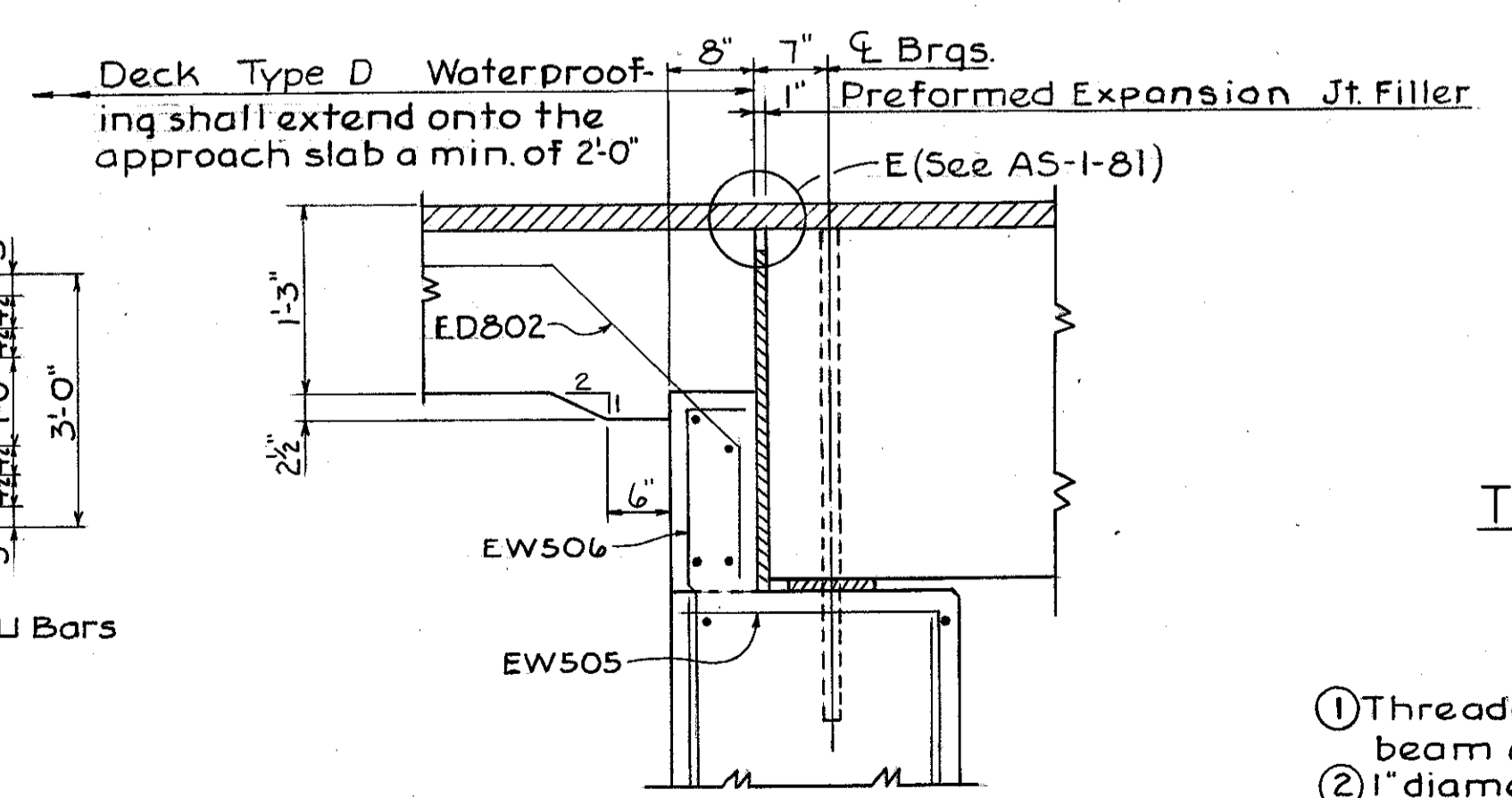
SECTION E-E



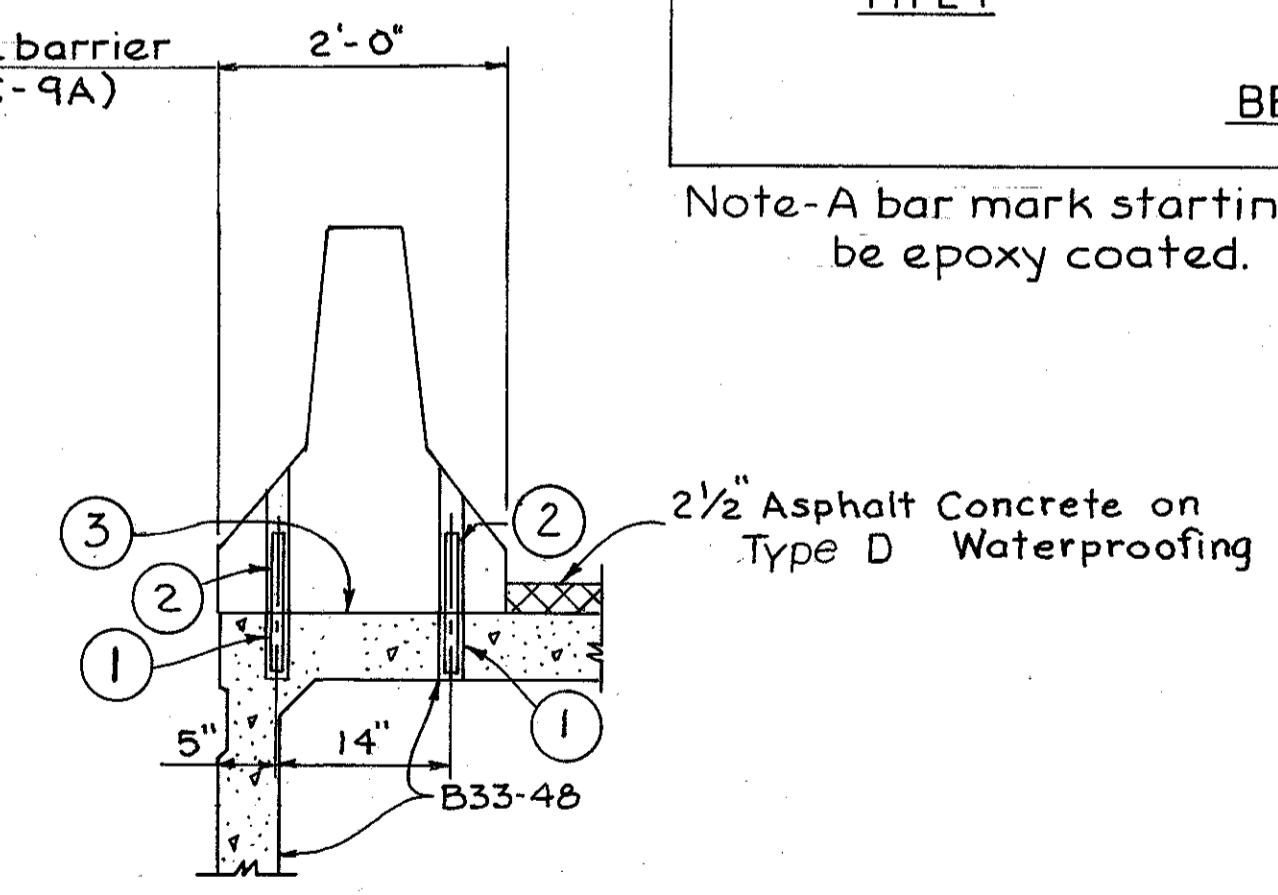
B33-48



B33-36



SECTION X-X



TEMPORARY CONCRETE BARRIER (STAGE I)

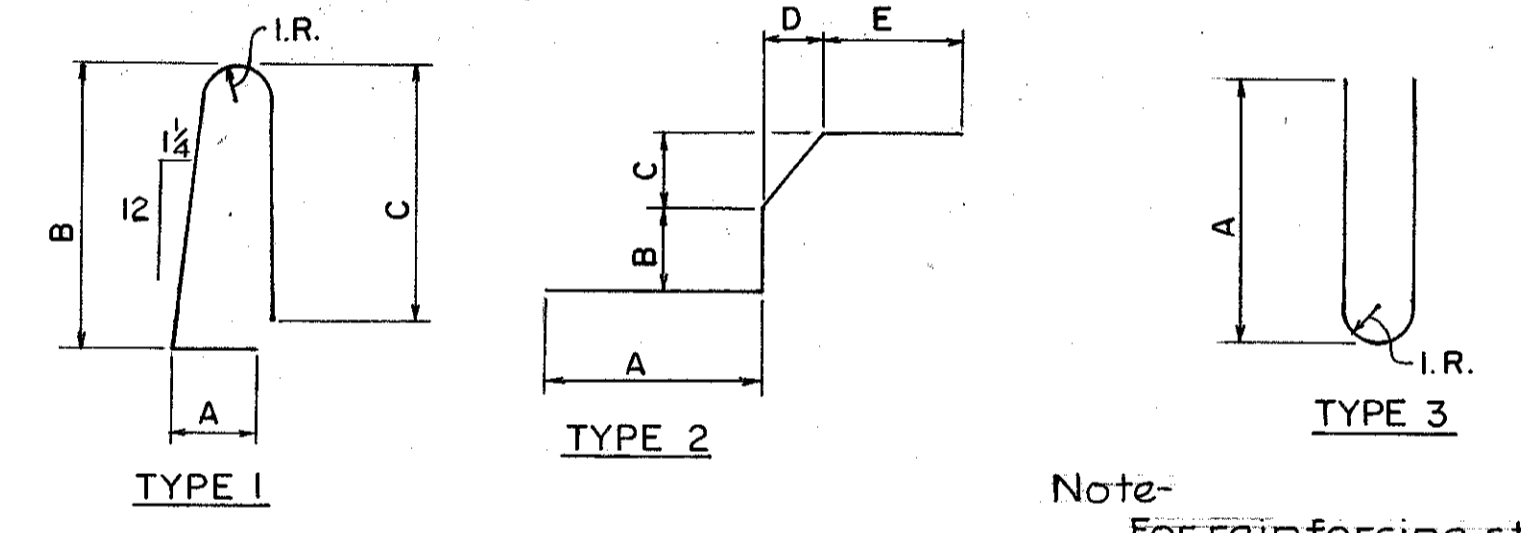
LEGEND

- ① Threaded inserts shall be cast in the B33-48 fascia beam of Stage I at 2'-0" on centers.
- ② 1" diameter, 12" long threaded dowel. After the temporary concrete barrier is removed, each dowel shall be removed and the insert filled with non-shrink grout or mortar.
- ③ An approved bond-breaker shall be used between the temporary concrete barrier and the prestressed concrete box beam.

The inserts and the threaded dowels shall be included with Item 515 for payment (B33 x 48).

SUPERSTRUCTURE REINFORCING STEEL LIST

MARK	S/E	NO.	LENGTH	WEIGHT	TYPE	BENT BAR DIMENSIONS					REMARKS
						A	B	C	D	E	
SUPERSTRUCTURE PARAPET											
EX503	5	66	5'-3"	361	1	7 1/2"	2'-5"	2'-2"			2 1/8"
EX504	5	24	10'-0"	250	STR						
EX505	5	8	9'-3"	77	STR						
EX506	5	8	9'-0"	75	STR						
EX507	5	16	7'-6"	120	STR						
EY506	5	16	4'-4"	72	STR						
EY514	5	16	32'-0"	534	STR						
EY515	5	32	4'-9"	158	3	2'-3"					2 1/2"
PRESTRESSED CONCRETE FASCIA BEAM											
EX511	5	98	3'-6"	358	STR						
EX512	5	66	3'-6"	241	2	1'-3"	9"	8 1/2"	6"	9"	These bars are included in Item 515 "Pre-stressed Concrete Bridge Members."
X513	5	8	34'-0"	284	STR						
EY611	6	4	3'-6"	21	2	1'-3"	9"	8 1/2"	6"	9"	
EY612	6	4	3'-5"	21	2	1'-4"	8"	8 1/2"	5"	8 1/2"	
EY613	6	4	3'-5"	21	2	1'-6"	7 1/2"	8 1/2"	4"	8"	
EY614	6	4	3'-6"	21	2	1'-8"	7"	8 1/2"	3"	7 1/2"	
EY615	6	16	3'-5"	82	2	1'-9"	6"	8 1/2"	2"	7"	



BENDING DIAGRAMS

Note-A bar mark starting with E denotes the reinforcing bar shall be epoxy coated.

8 / 8

CAPITOL ENGINEERING ASSOCIATES  
CONSULTING CIVIL ENGINEERS  
PAINESVILLE, OHIO

**SUPERSTRUCTURE DETAILS**

BRIDGE NO. LAK-86-0229  
OVER BIG CREEK  
LAKE COUNTY STA 9 + 72.88 TO  
STA 10 + 40.12

DESIGNED	DRAWN	TRACED	CHECKED	REVIEWED	DATE	REVISED
TAP	DPR		NE	REM	1/24/82	