

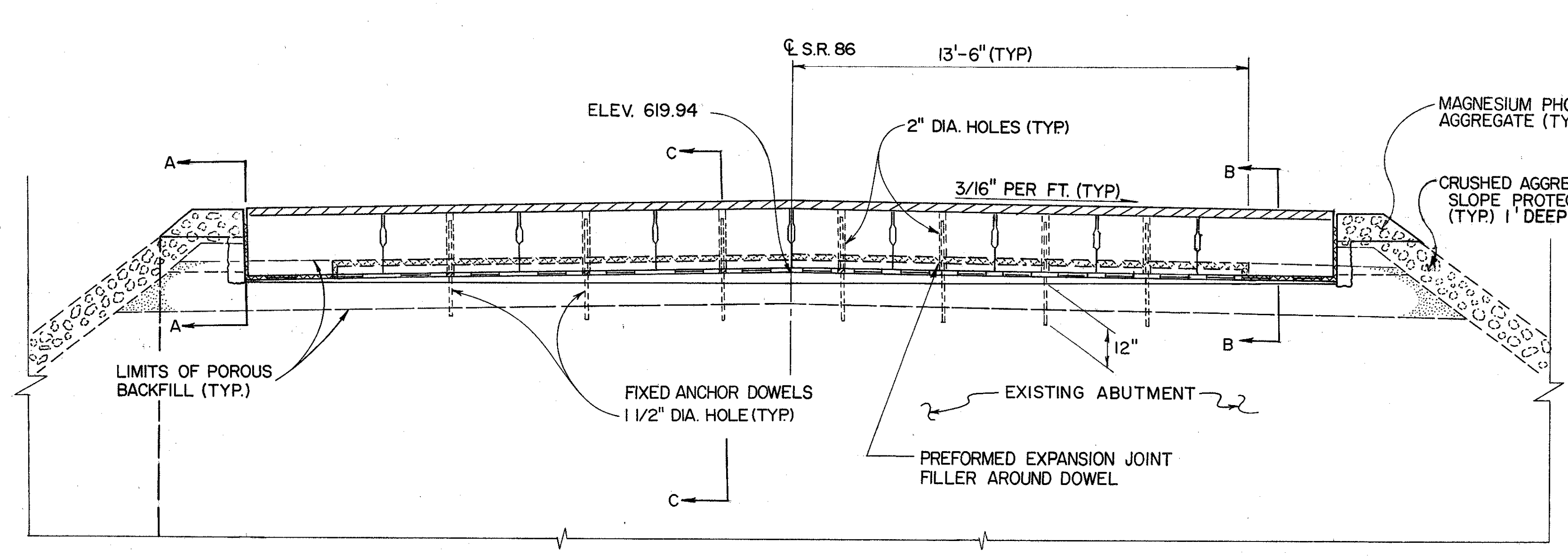
MICROFILMED  
OCT 13 1987

FHWA REGION	STATE	PROJECT	
5	OHIO		

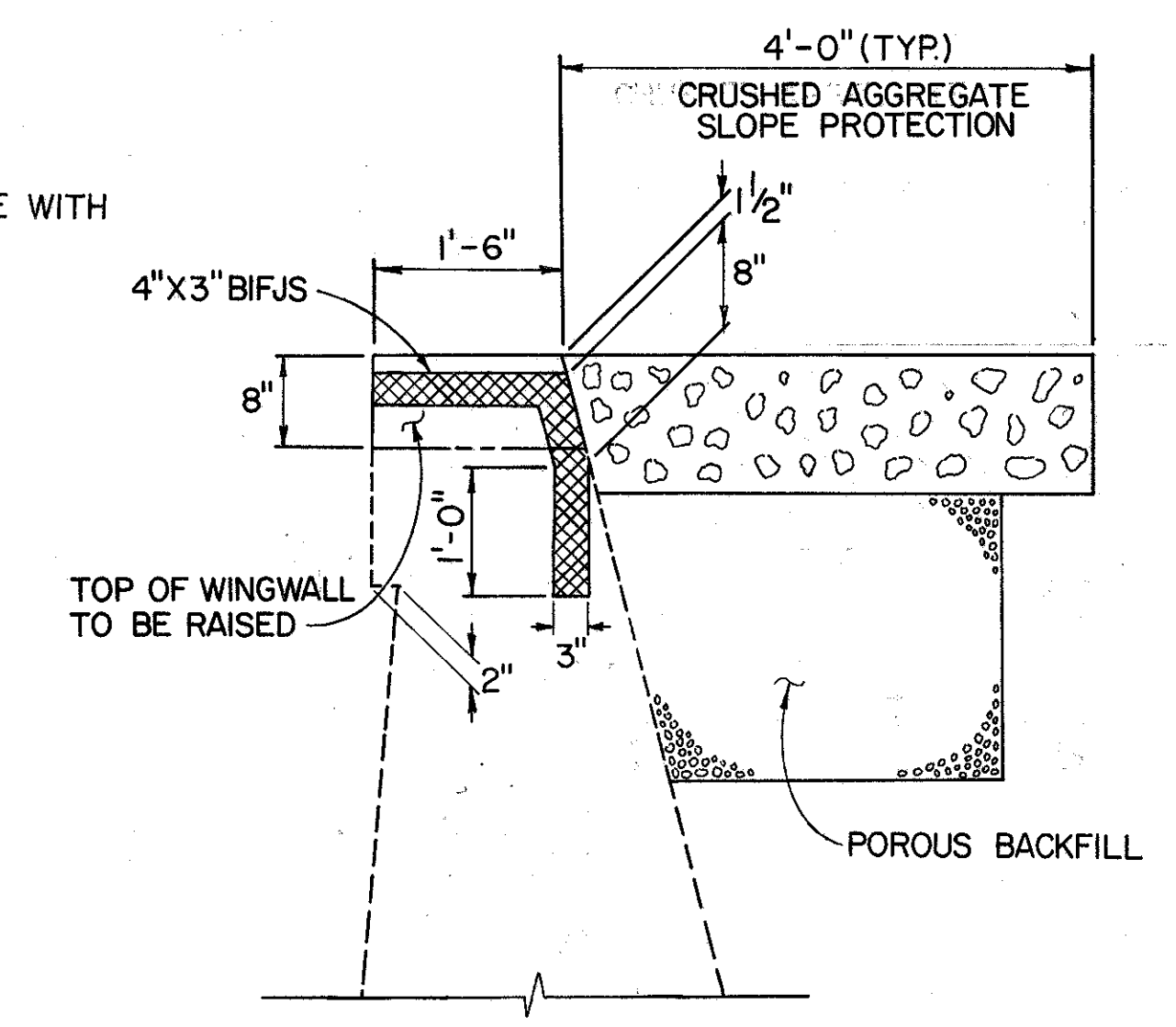
14  
19

LAKE COUNTY  
LAK-86-1.95

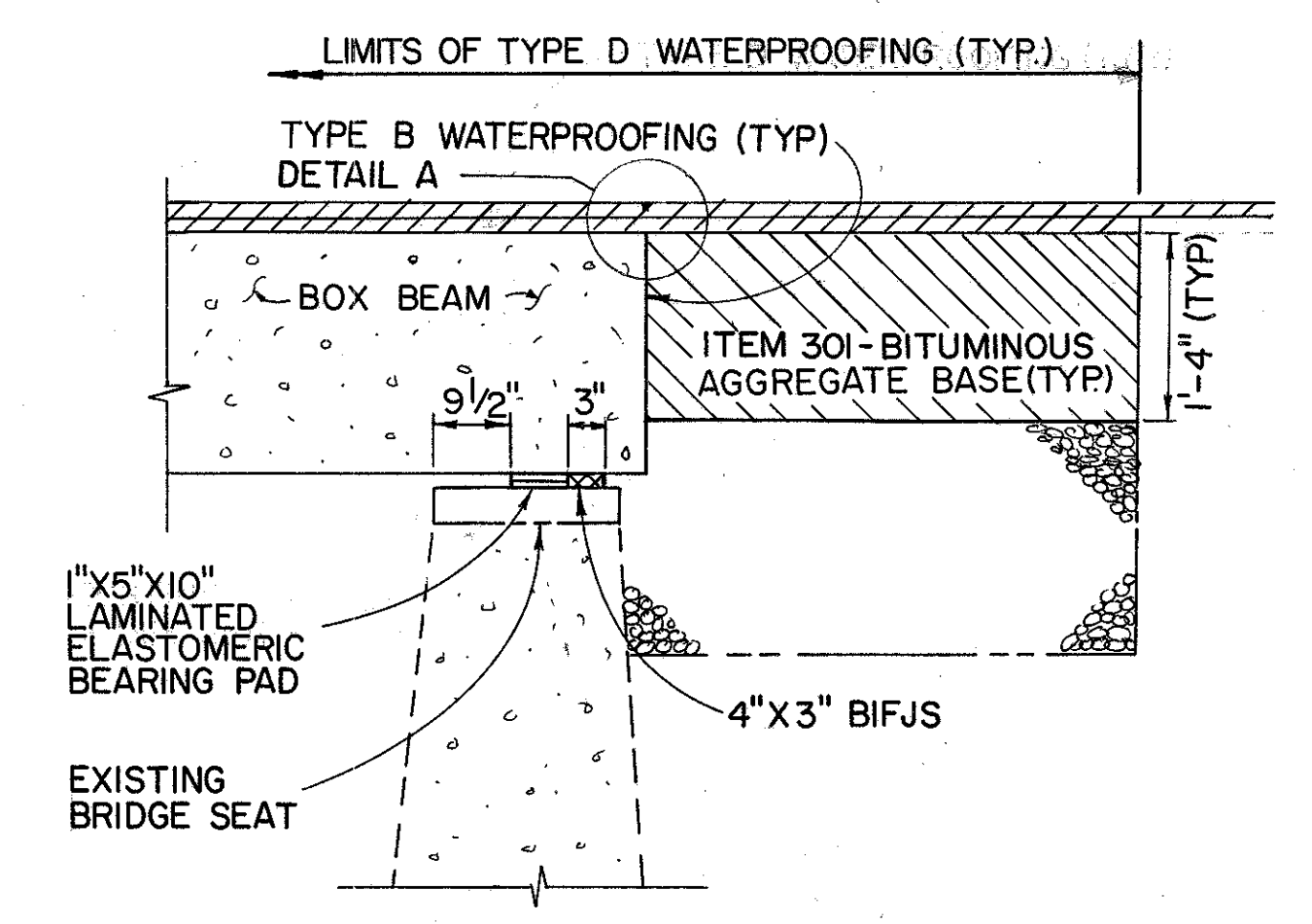
PLAN NO. BR-73-85



NORTH ABUTMENT ELEVATION

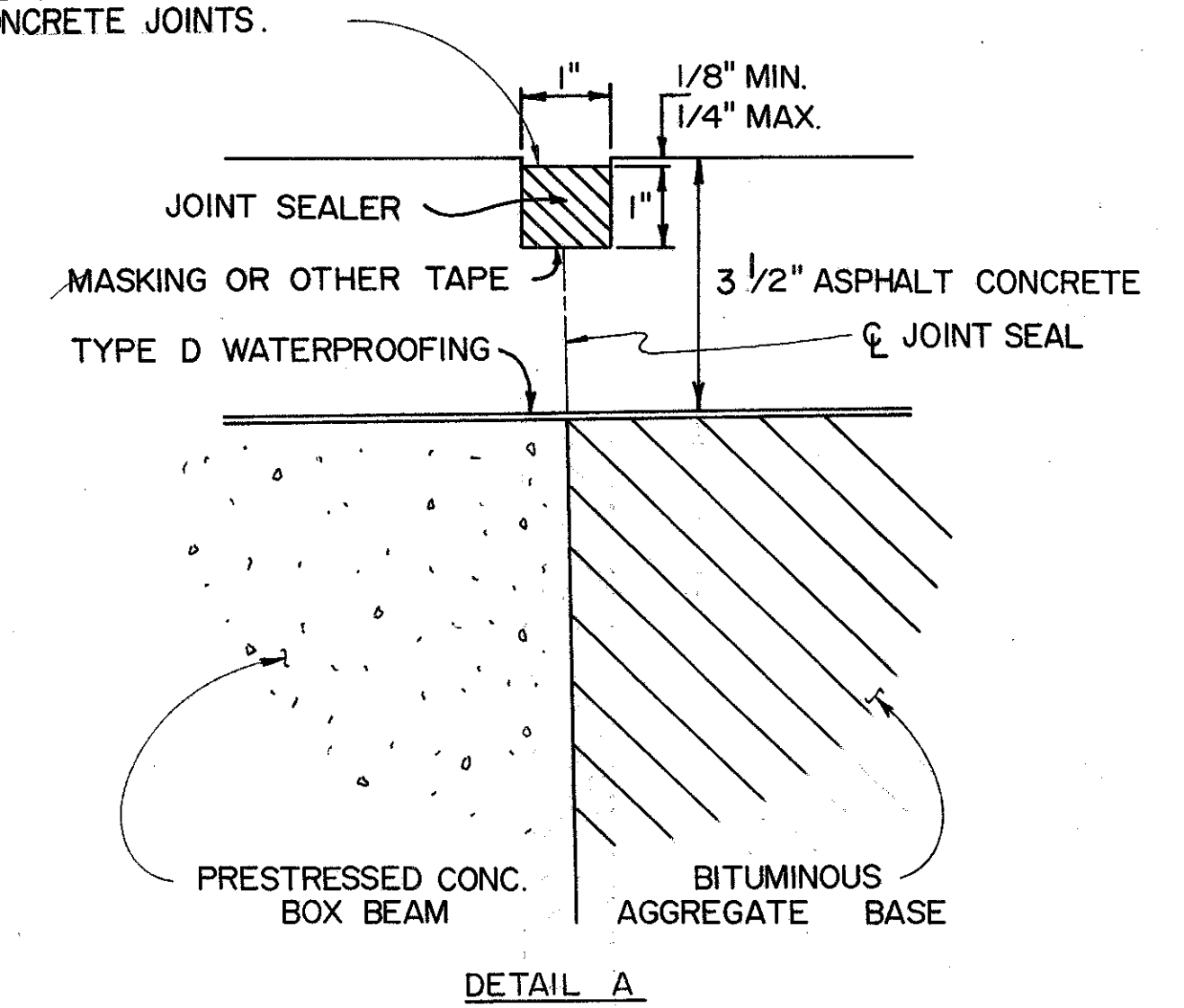


SECTION A-A

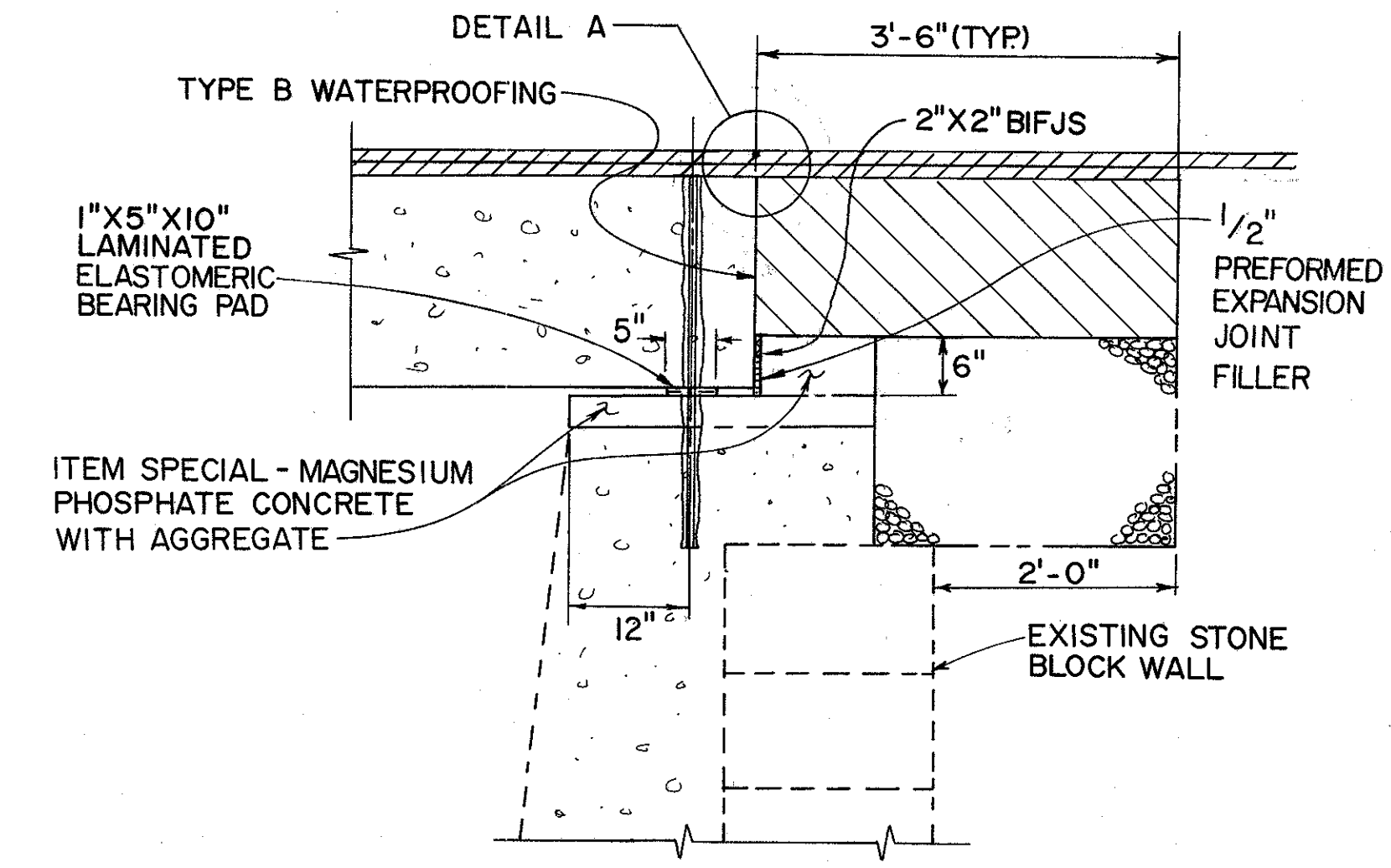


SECTION B-B

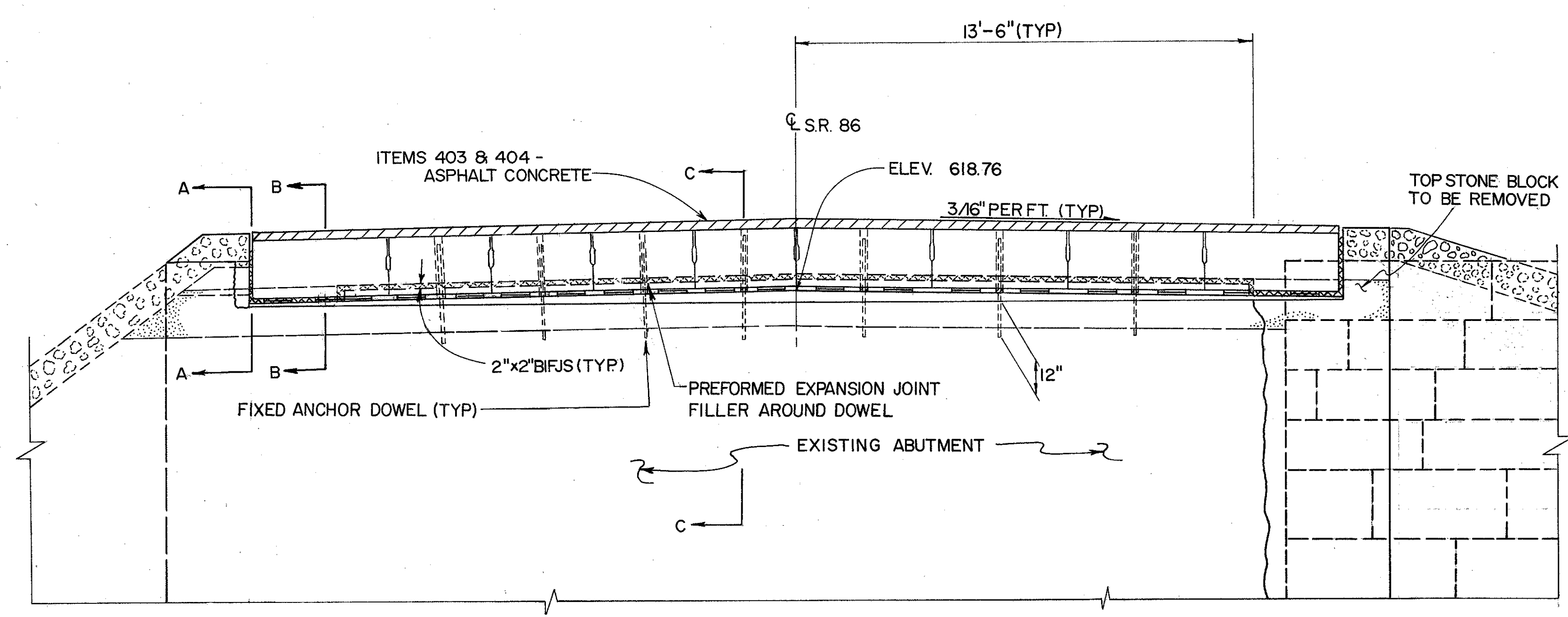
THIS WORK TO BE PAID UNDER  
ITEM SPECIAL - SAWING AND SEALING  
BITUMINOUS CONCRETE JOINTS.



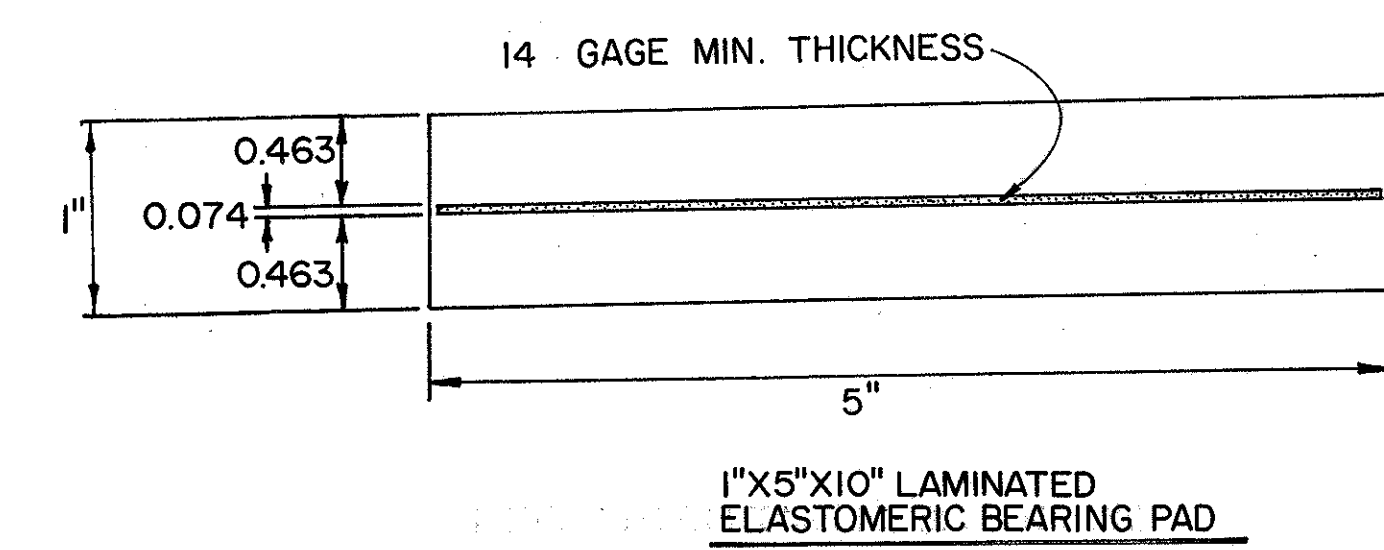
DETAIL A



SECTION C-C



SOUTH ABUTMENT ELEVATION



1" X 5" X 10" LAMINATED ELASTOMERIC BEARING PAD

STATE OF OHIO DEPARTMENT OF TRANSPORTATION DISTRICT 12 BRIDGE DEPARTMENT						10 / 11
SUPERSTRUCTURE DETAILS						
BRIDGE LAK-86-0195 OVER KELLOGG CREEK						
DESIGNED	DRAWN	TRACED	CHECKED	REVIEWED	DATE	REVISED
EJA	SDG	SDG	DWL	GWM	8/13/85	