

STRAW OR HAY BALES

BALE PLACEMENT: Bales shall be tightly placed adjacently and entrenched 2" [50] to 3" [75] before staking; or a small amount of loose soil shall be lightly compacted along the upstream edge of the bales.

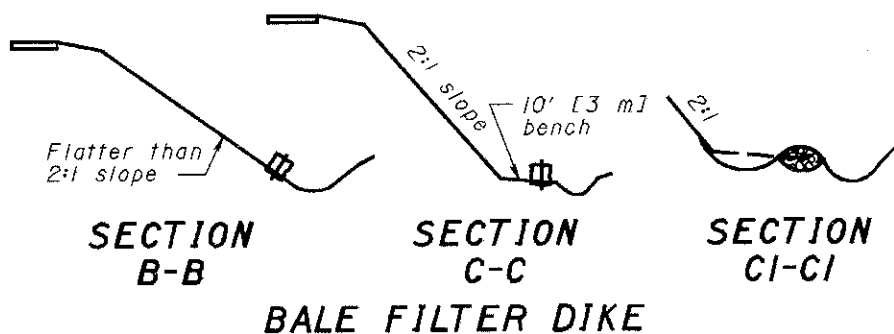
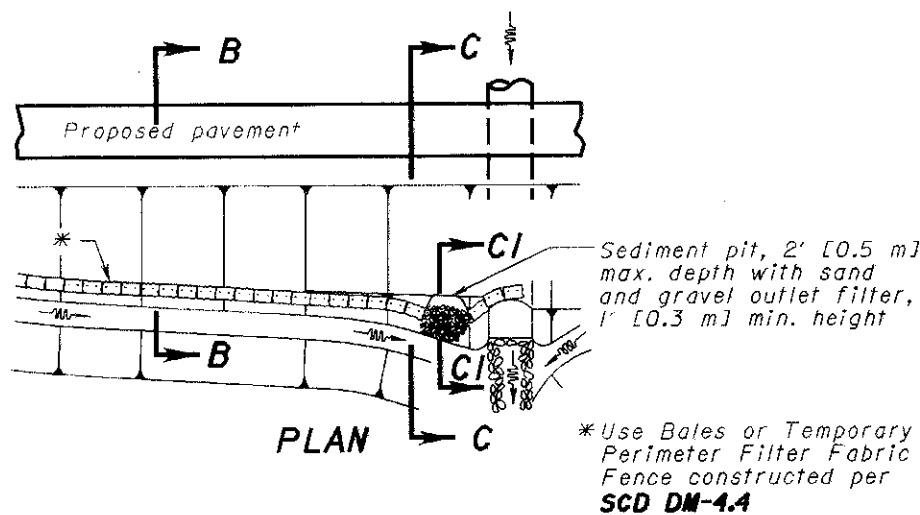
Each bale shall be firmly staked with a minimum of two stakes at least 3' [1 m] in length. Stakes shall be wooden 2"x2" [50x50], reinforcing bars or fence posts.

Loose straw or hay shall be wedged between and under staked bales.

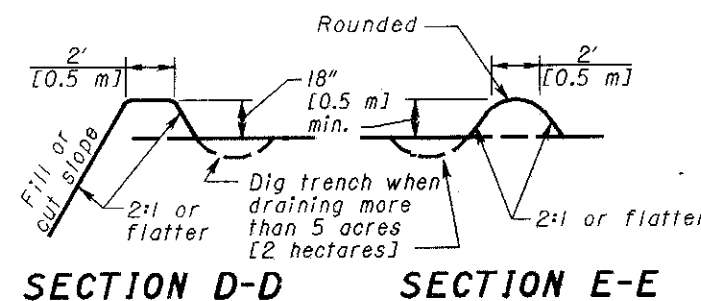
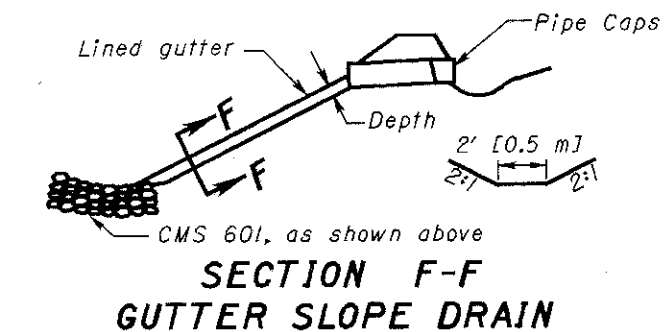
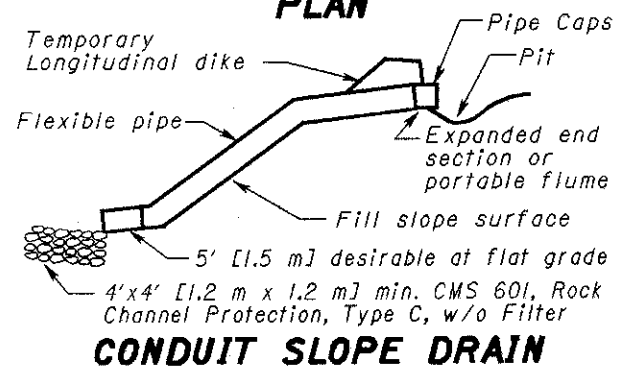
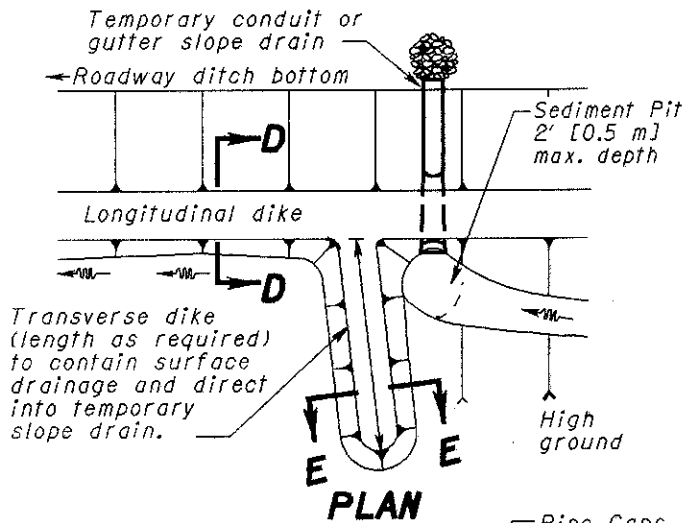
PITS: Sediment pits shall be provided and their cost included in the unit price bid for the adjacent SS 877 items.

MAINTENANCE: The maintenance or replacement will be paid for by the Department under unit bid prices, agreed unit price, or under 109.04.

BASIS OF PAYMENT: Straw or hay bale installation shall be paid for under Item 877 - Temporary Perimeter Filter Fabric Fence. Cost will include placing, staking and removing.



DIKES AND SLOPE PROTECTION



Area in acres [hectares]	Pipe Sizes			Gutter depth
	Smooth	Corrugated	Half-round	
0-4 [0-1.6]	6" [150]	6" [150]	18" [450]	8" [200]
4-8 [1.6-3.2]	8" [200]	12" [300]	18" [450]	8" [200]
8-12 [3.2-4.9]	10" [250]	15" [375]	21" [525]	12" [300]

GENERAL: Dikes & drains shown shall be used when earthwork operations on slopes are higher than 8' [2.5 m] and fill operations are suspended for three weeks or more. Smaller dikes used at the end of a day's operation shall be considered as part of the earthwork. Temporary slope drains shall be suitably positioned and anchored to prevent movement or undermining.

LONGITUDINAL DIKES: Longitudinal dikes shall be constructed of suitable material as per CMS 203 and compacted to 85% of maximum density.

CONDUITS: Conduits for slope drains shall be corrugated steel pipe, corrugated or smooth plastic pipe, rubber conduit, or an approved equal.

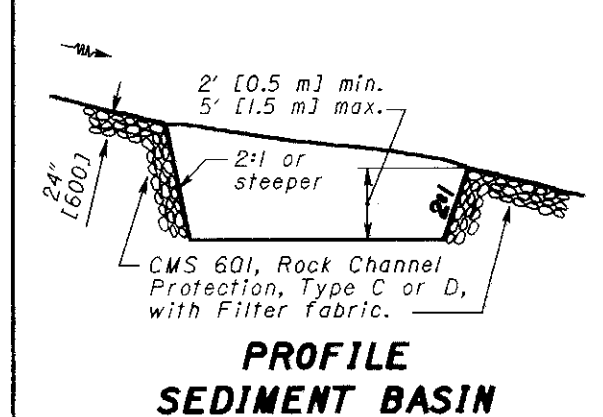
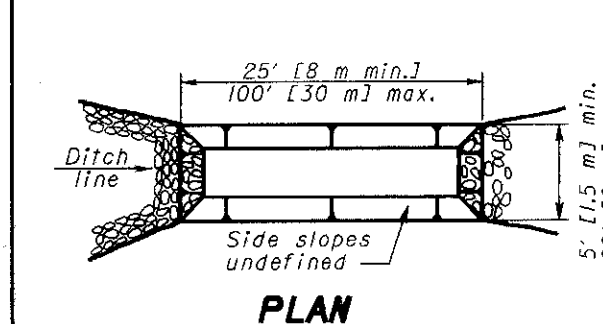
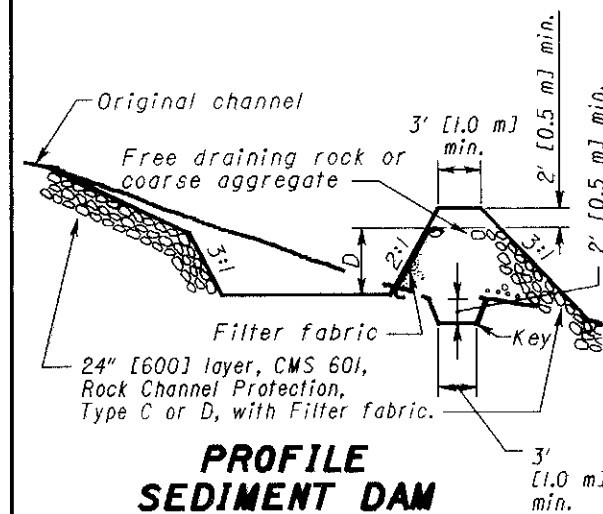
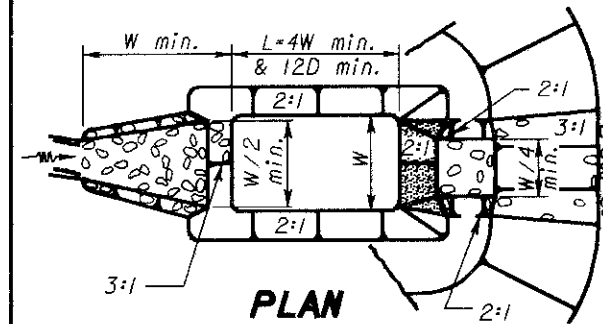
GUTTERS: Gutters for slope drains shall be lined with Type C rock channel protection, crushed aggregate slope protection, portland cement concrete, bituminous concrete, plastic sheeting (on slopes 4:1 max.), partial pipe sections or approved equal.

PITS: Sediment pits shall be provided and their cost included in the unit price bid for the adjacent items.

MAINTENANCE: Dikes and slope protection shall be acceptably maintained. The maintenance or replacement cost will be paid for by the Department under unit bid prices, agreed unit prices, or CMS 109.04.

BASIS OF PAYMENT: Temporary dikes shall be paid for under Item 877-Temporary Dikes. Temporary slope drains shall be paid for under Item 877-Temporary Slope Drains. Rock required shall be paid for under Item 601, Rock Channel Protection, Type C, w/o Filter.

SEDIMENT BASINS & DAMS



EMBANKMENT: Sediment basin embankment construction shall be as per CMS 203.

FILTERS: Filter fabric shall be per CMS 601.02 and installed per CMS 601.08 or as detailed here. Such fabrics may be cleaned in lieu of replacement. The cost of all filter fabric required to construct the sediment basin or dam shall be included in the cost of the Item 601, Rock Channel Protection, with Filter Fabric.

SIZE: The volume shown on the plans is the total storage volume required for the sediment basin or dam (67 cubic yards per acre [127 cubic meters per hectare]). A series of smaller basins or dams may be substituted for a larger basin or dam.

MAINTENANCE: Sediment pits, dams and basins shall be acceptably maintained. The maintenance or replacement cost will be paid for by the Department under unit bid prices, agreed unit prices, or CMS 109.04.

BASIS OF PAYMENT: Sediment Dams and Basins shall be paid for under Item 877-Sediment Basin and Dams. The pay quantity shall be the actual number of cubic yards [cubic meters] of excavation and embankment required to construct the basin or dam. Rock required shall be paid for under Item 601, Rock Channel Protection, Type C or D, with Filter.

THIS DRAWING REPLACES DM-4.3M DATED 6-30-95.