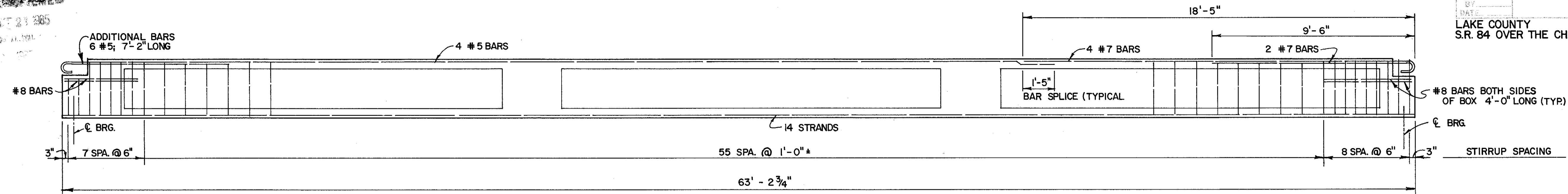
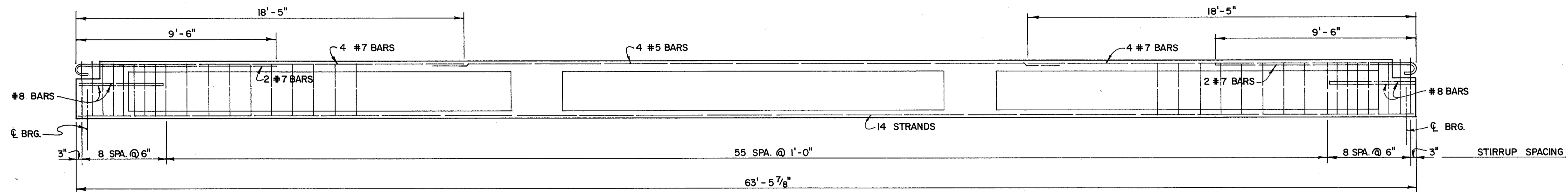


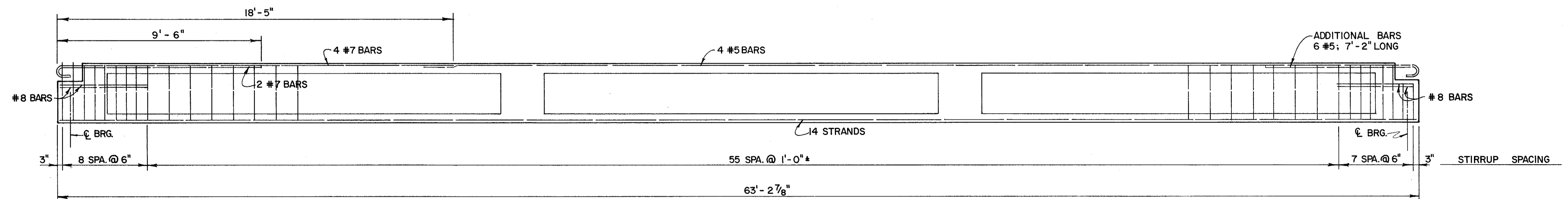
LAKE COUNTY
S.R. 84 OVER THE CHAGRIN RIVER



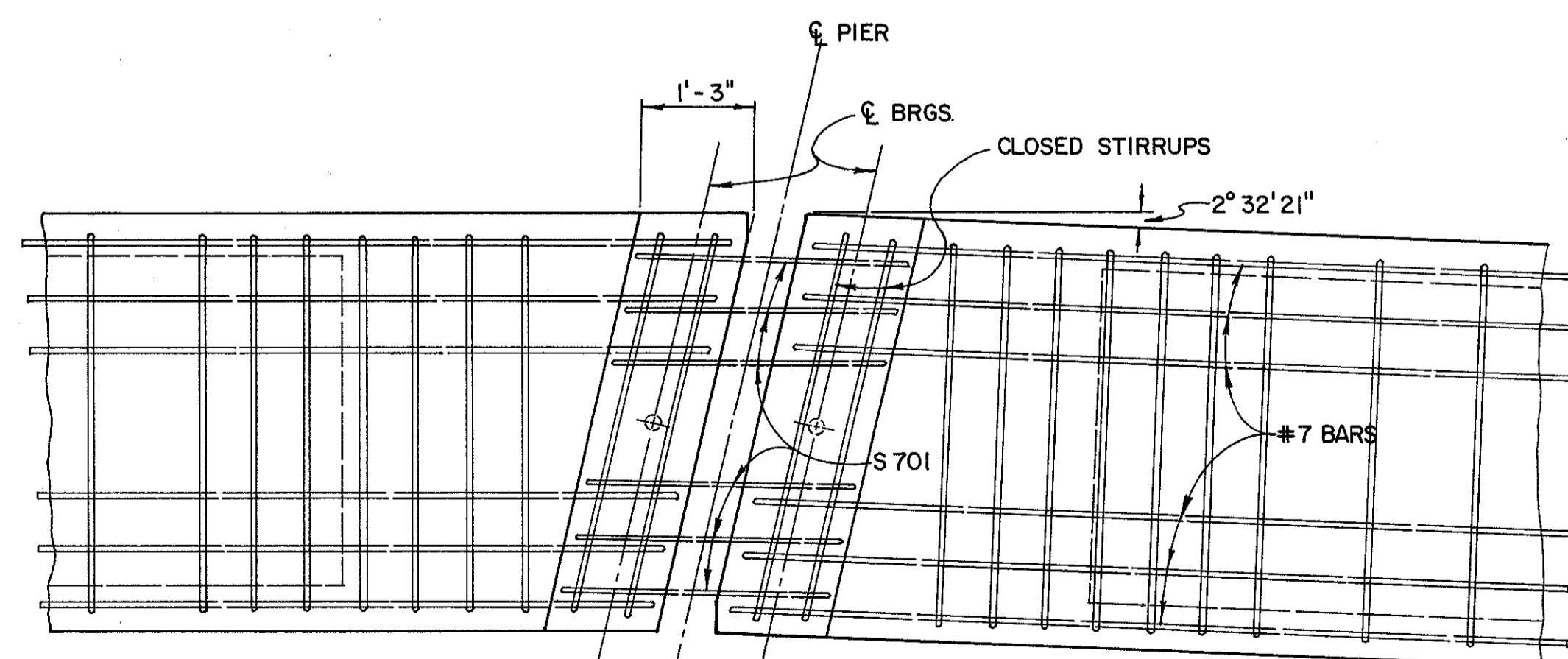
ELEVATION SPAN 1, B33-48



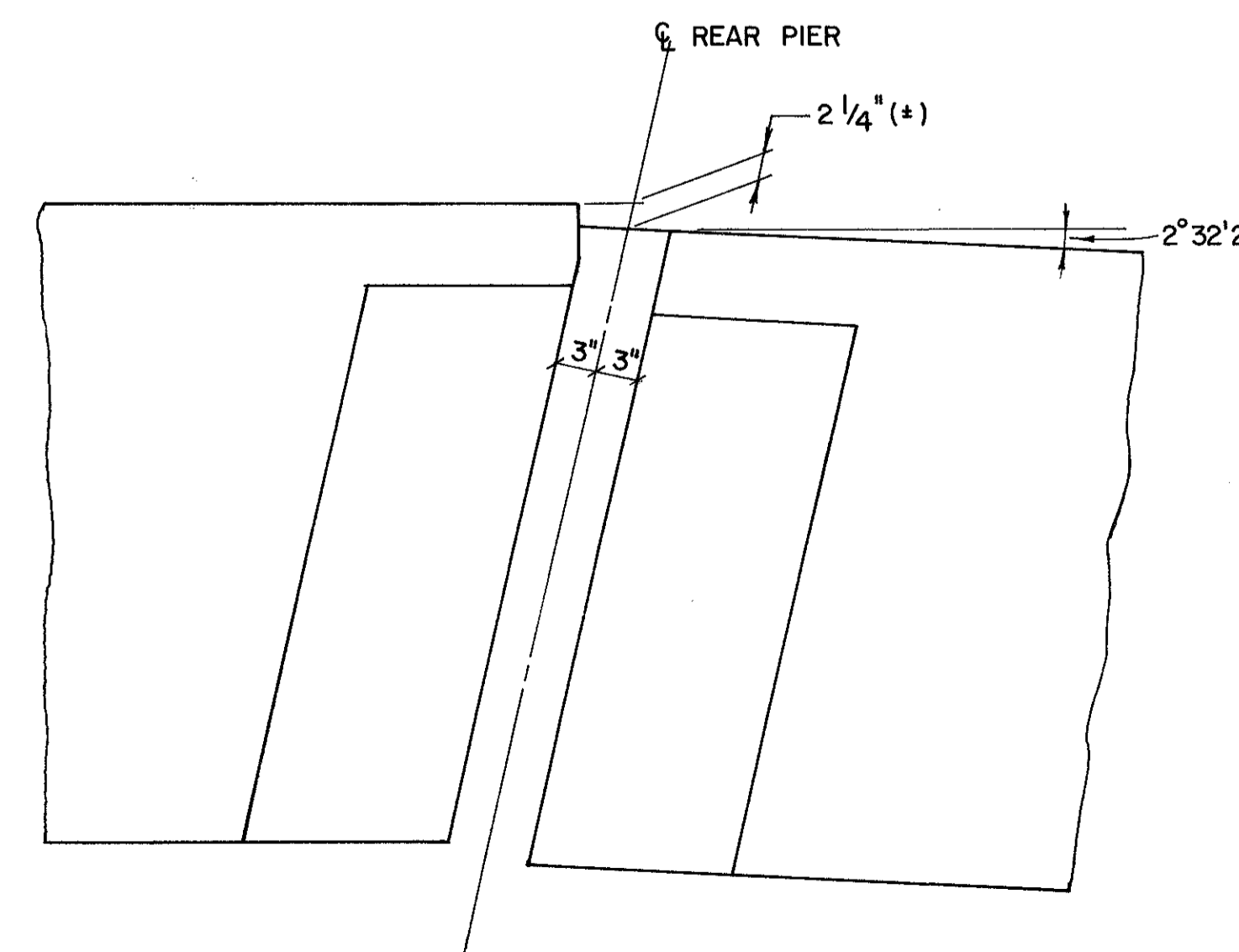
ELEVATION SPAN 2, B33-48



ELEVATION SPAN 3, B33-48



REINFORCEMENT OF BEAM ENDS OVER PIERS
(INTERIOR BEAM SHOWN)



CALCULATED CAMBER AT TIME OF PAVING INCLUDING ALLOWANCE FOR CAMBER GROWTH DUE TO CREEP IS +1 5/16". CALCULATED DEFLECTION DUE TO WEIGHT OF SURFACE COURSE AND RAILING IS -1/8". NET FINAL CAMBER OF BEAM IS +1 1/4". THIS IS 1 1/4" IN EXCESS OF THE AMOUNT REQUIRED TO PLACE THE TOP OF THE BEAM PARALLEL TO PROFILE GRADE. THIS EXCESS AMOUNT SHALL BE COMPENSATED FOR BY THICKENING THE 403 LEVELING COURSE FROM 1 1/4" AT CENTER OF SPANS TO 2 1/2" AT ENDS OF SPANS.

ASPHALT CONCRETE SURFACE COURSE SHALL CONSIST OF A VARIABLE THICKNESS OF 403 AND A 1 1/4" THICKNESS OF 404. THE 403 SHALL BE PLACED IN TWO OPERATIONS. THE FIRST COURSE SHALL BE OF 1 1/4" UNIFORM THICKNESS. THE SECOND COURSE SHALL BE FEATHERED TO PLACE THE SURFACE PARALLEL TO AND 1 1/4" BELOW FINAL PAVEMENT SURFACE ELEVATION.

| | | | | | | |
|---|----------|-------|--------|---------|----------|----------|
| COLPETZER WOODS CONSULTANTS, INC. CONSULTING ENGINEERS MENTOR, OHIO | | | | | | |
| SUPERSTRUCTURE DETAILS | | | | | | 11/17 |
| STATE ROUTE 84 OVER THE CHAGRIN RIVER LAKE COUNTY, OHIO | | | | | | |
| SCALE | DESIGNED | DRAWN | TRACED | CHECKED | REVIEWED | DATE |
| | PCB | PCB | J.C. | V.G.P. | F.A. | 11/19/02 |