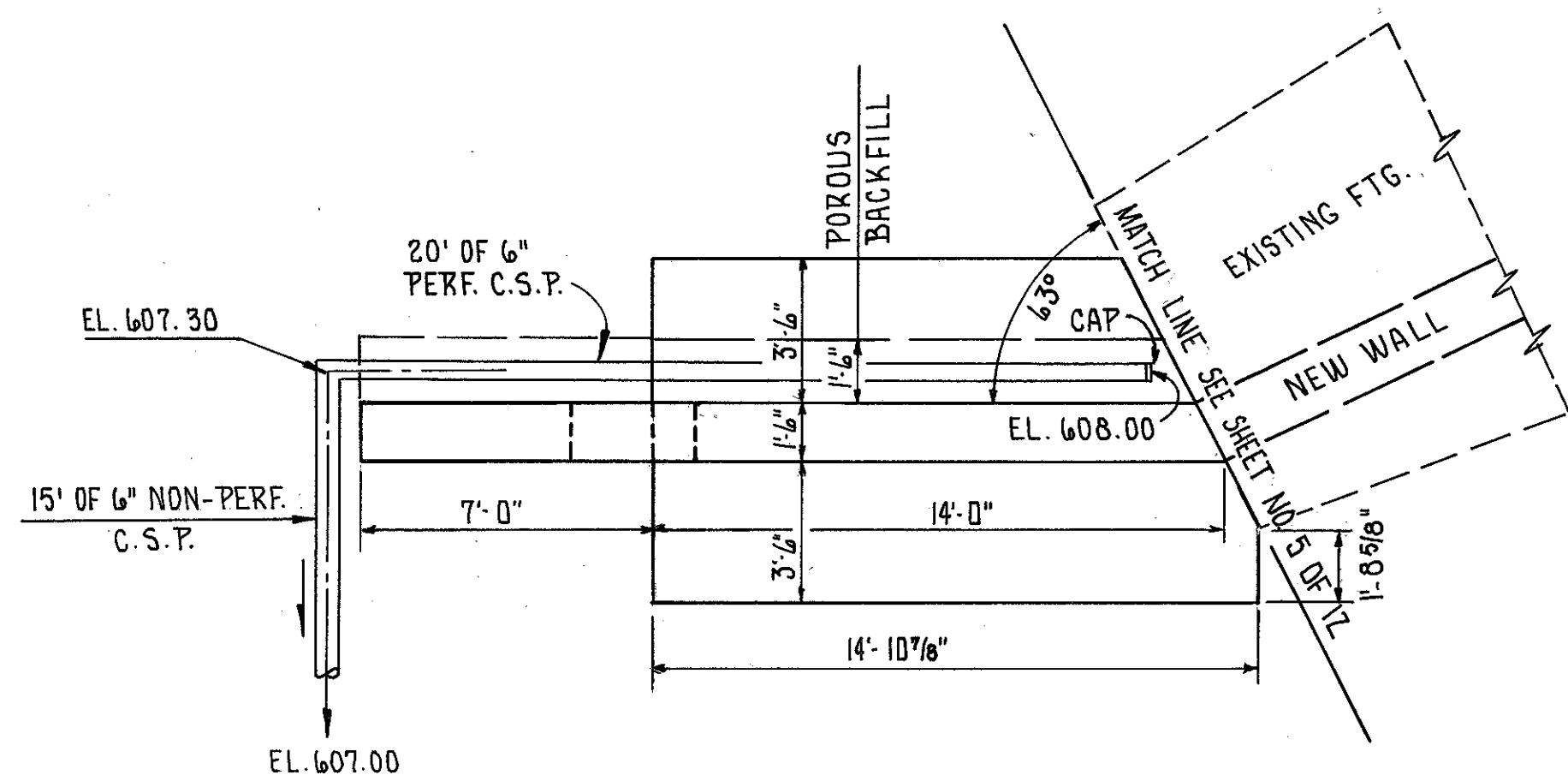


MICROFILMED  
OUT 21 1985

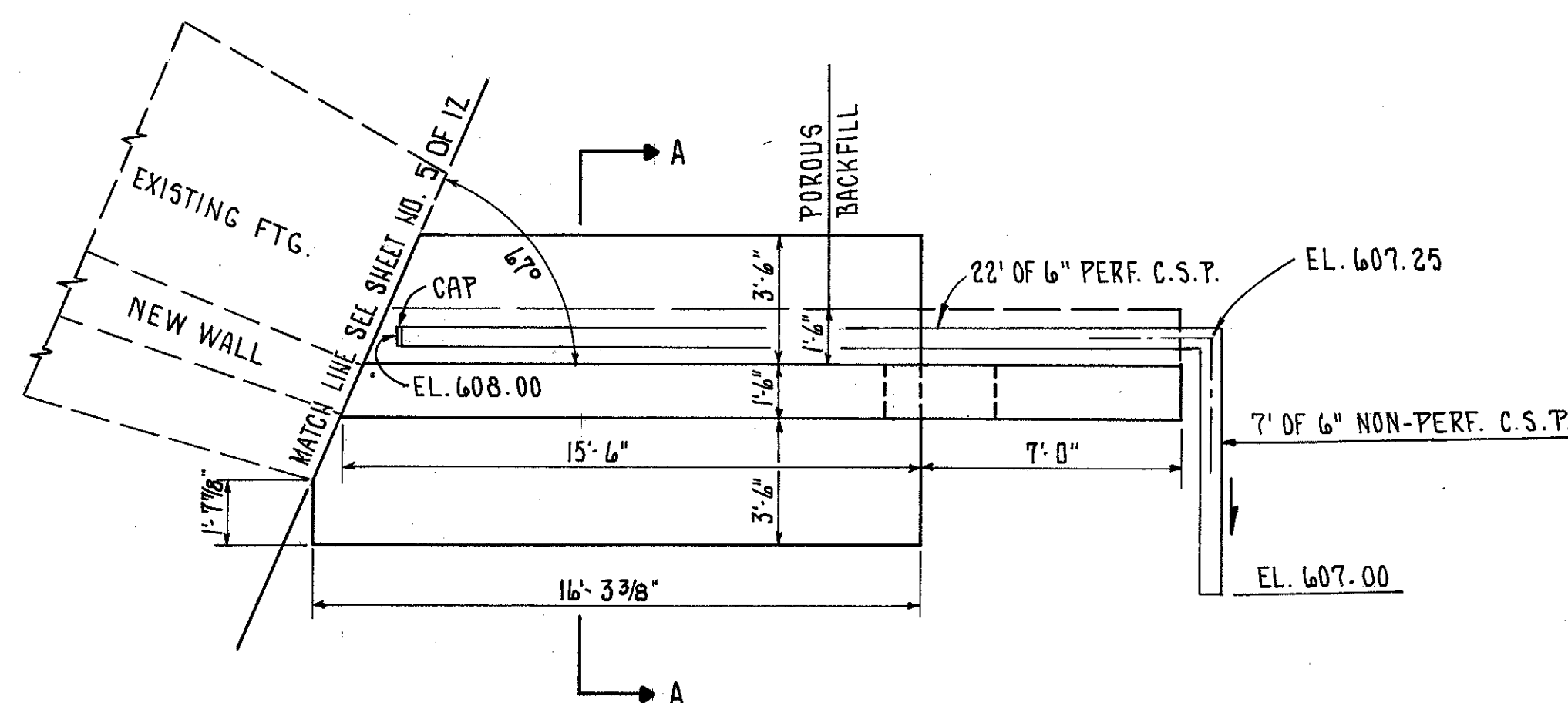
FHWA REGION	STATE	PROJECT
5	OHIO	

10  
16

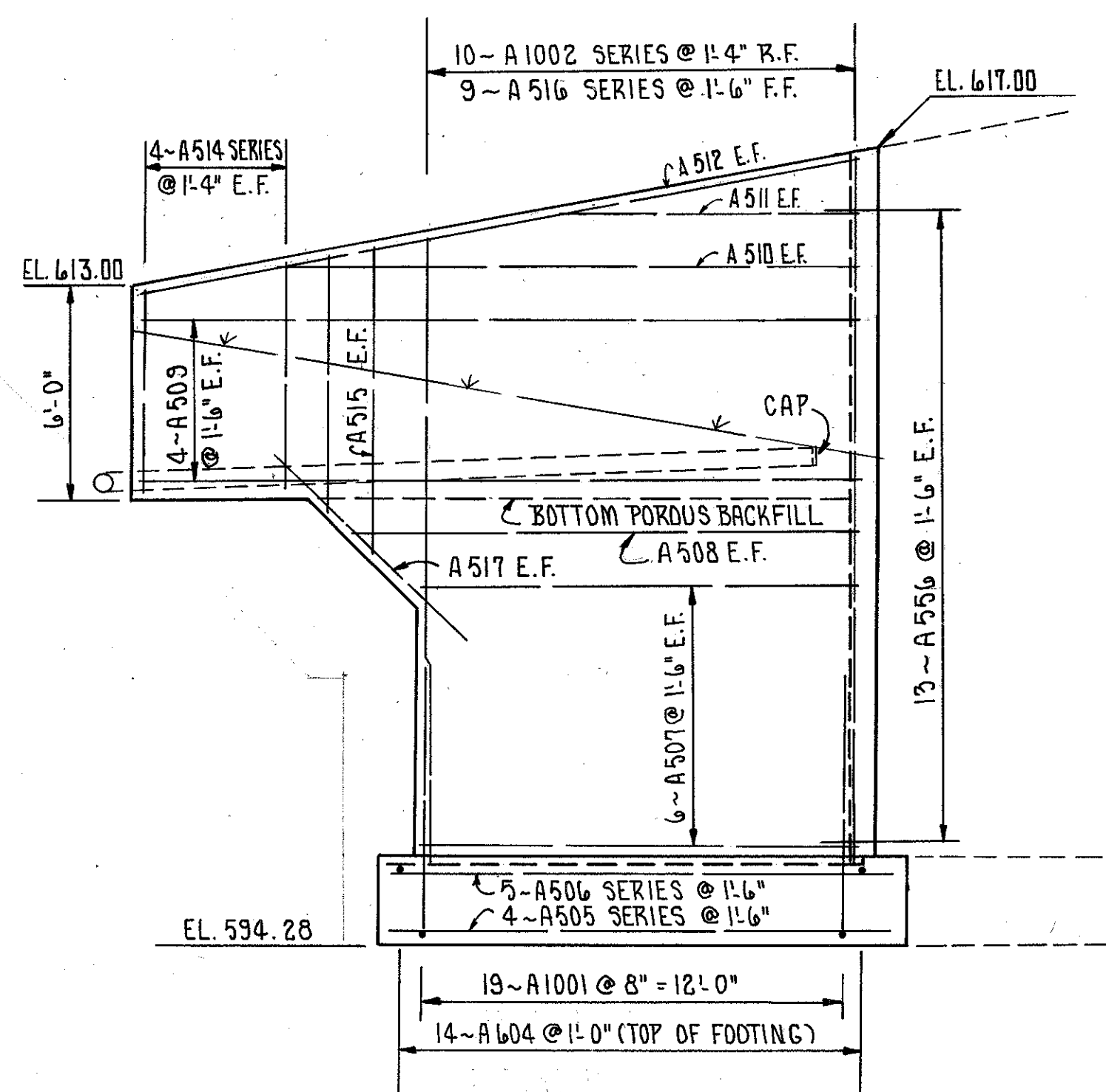
LAKE COUNTY  
LAK - 84 - 06.33



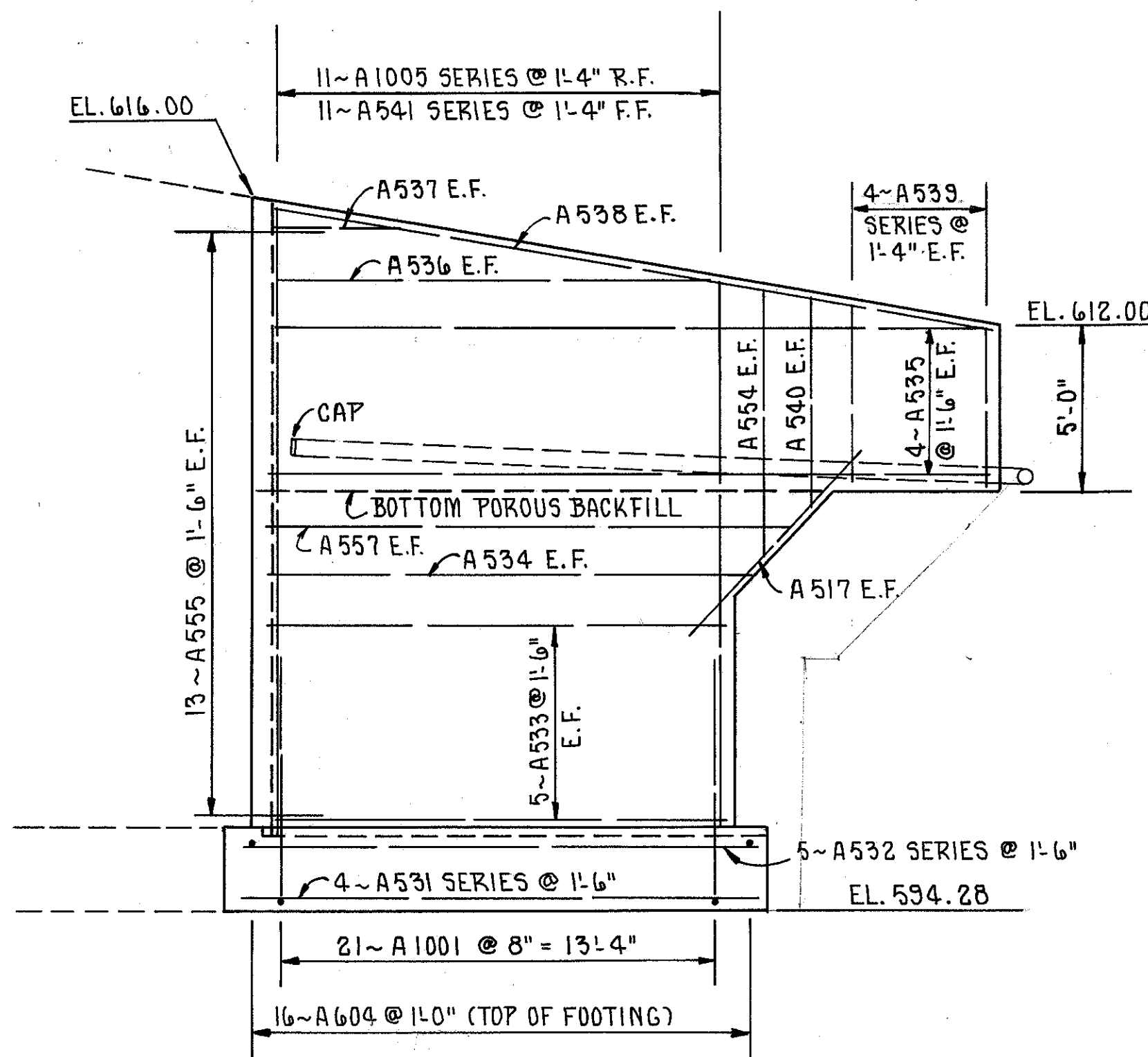
PLAN



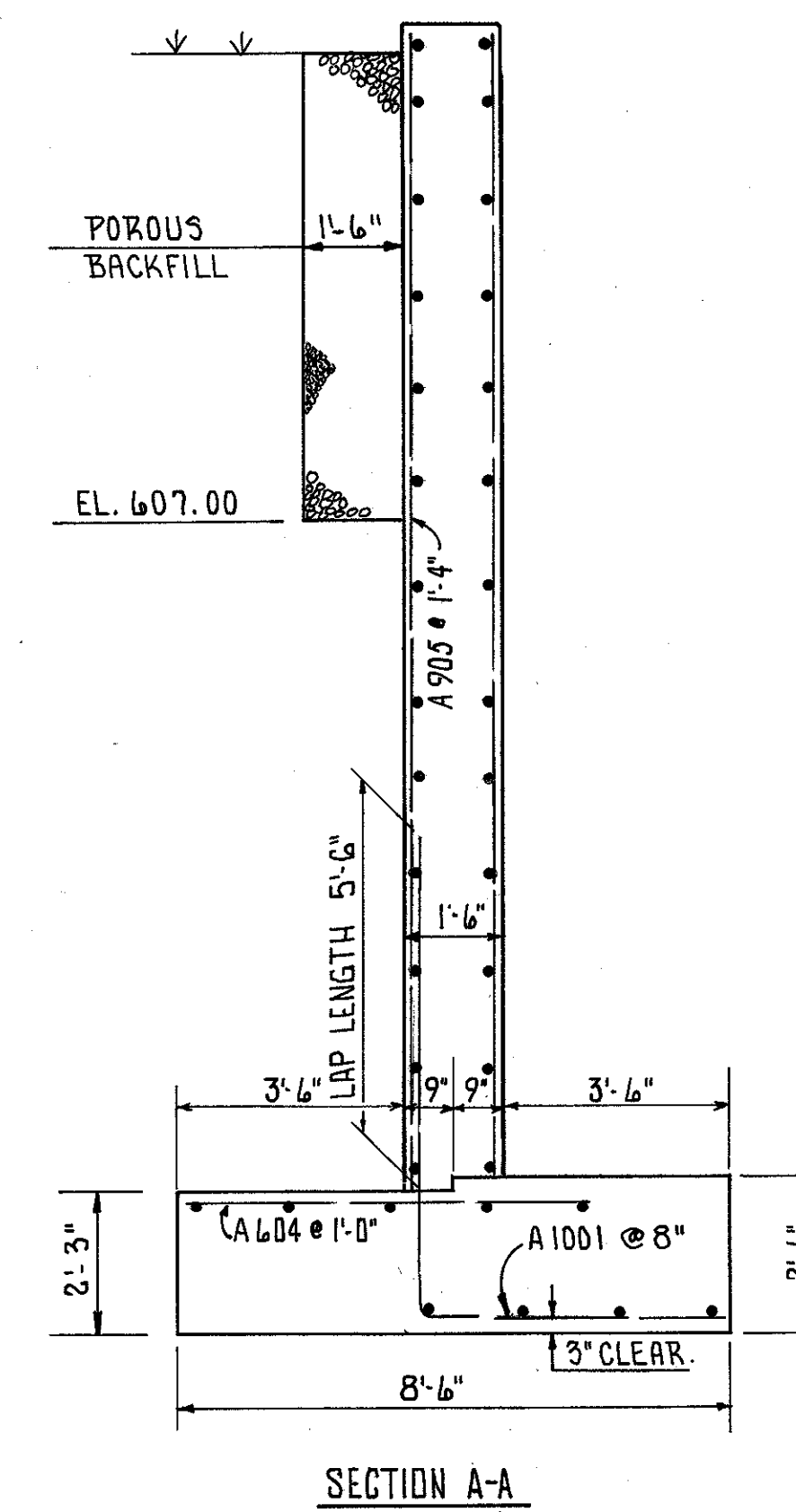
PLAN



NORTH WINGWALL  
ELEVATION



SOUTH WINGWALL  
ELEVATION



SECTION A-A

**LEGEND**  
R. F. DENOTES REAR FACE  
F. F. DENOTES FRONT FACE  
E. F. DENOTES EACH FACE

COLPETZER · WOODS MENTOR, OHIO		CONSULTANTS, INC.		6 / 12	
<b>EAST ABUTMENT</b>					
BRIDGE NO. LAK-84-0633					
S.R. 84 OVER					
THE CHAGRIN RIVER					
LAKE COUNTY				S.R. 84	
DESIGNED	DRAWN	TRACED	CHECKED	REVIEWED	DATE
PCB	PCB	RG	HM	JF	11/8/82