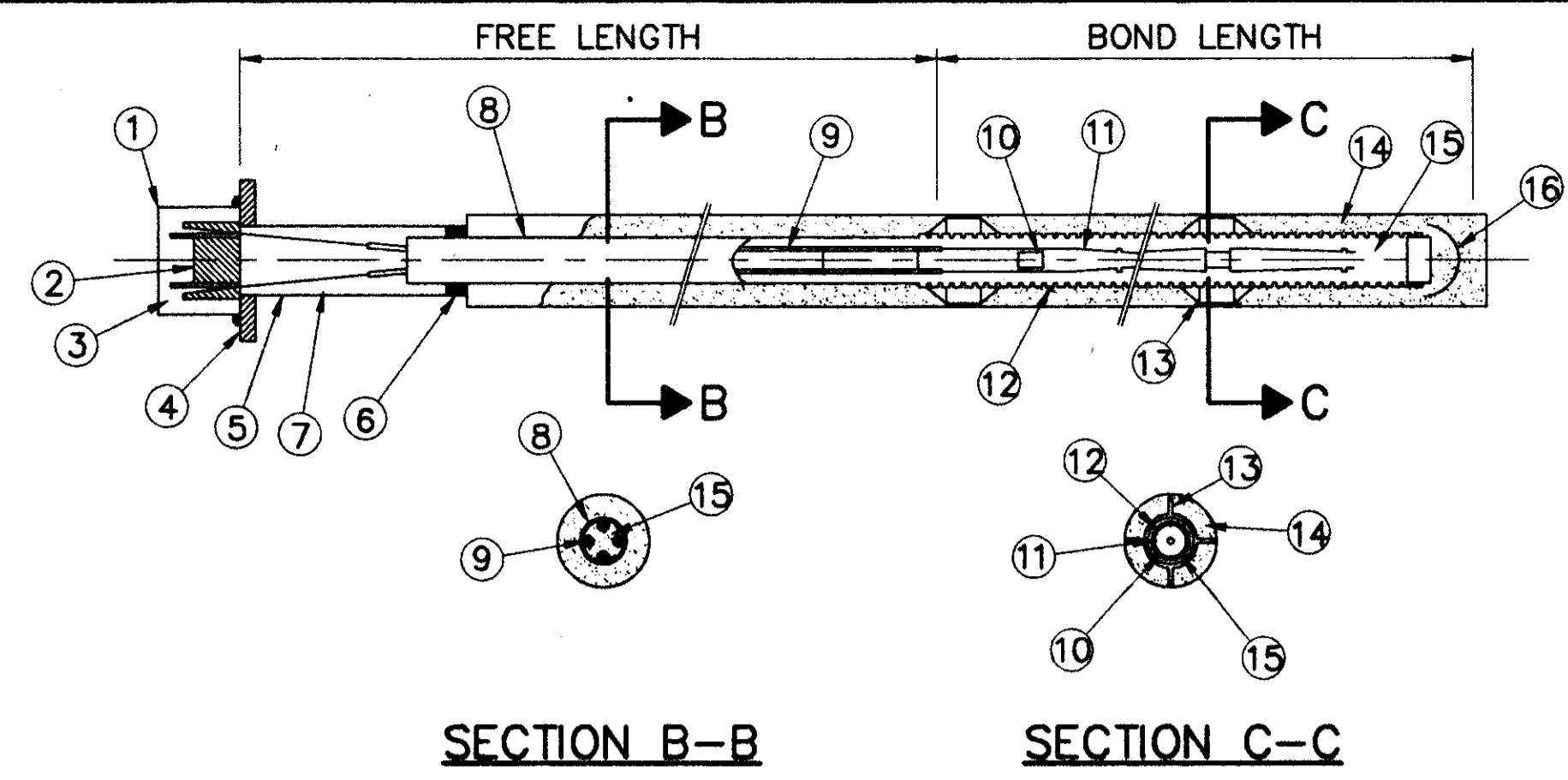
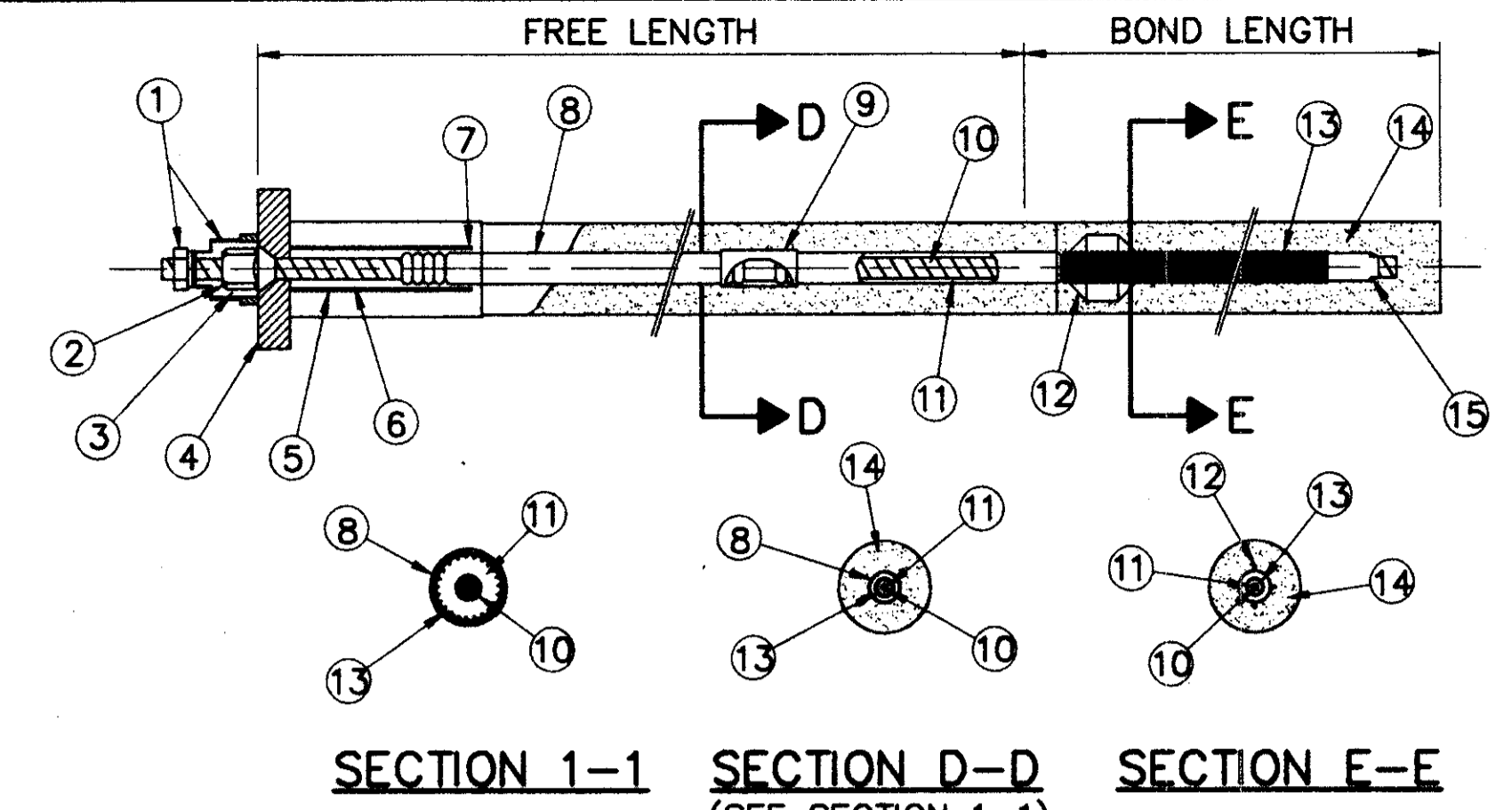


BULKHEAD CAP DETAIL
(COATED WITH COAL TAR EPOXY OR FUSION BONDED)

* THESE DIMENSIONS ARE FOR 12" PILE DEPTH. CONTRACTOR TO ADJUST DIMENSIONS FOR DIFFERENT SIZE PILE.



STRAND TYPE TIEBACK DETAIL **



BAR TYPE TIEBACK DETAIL **

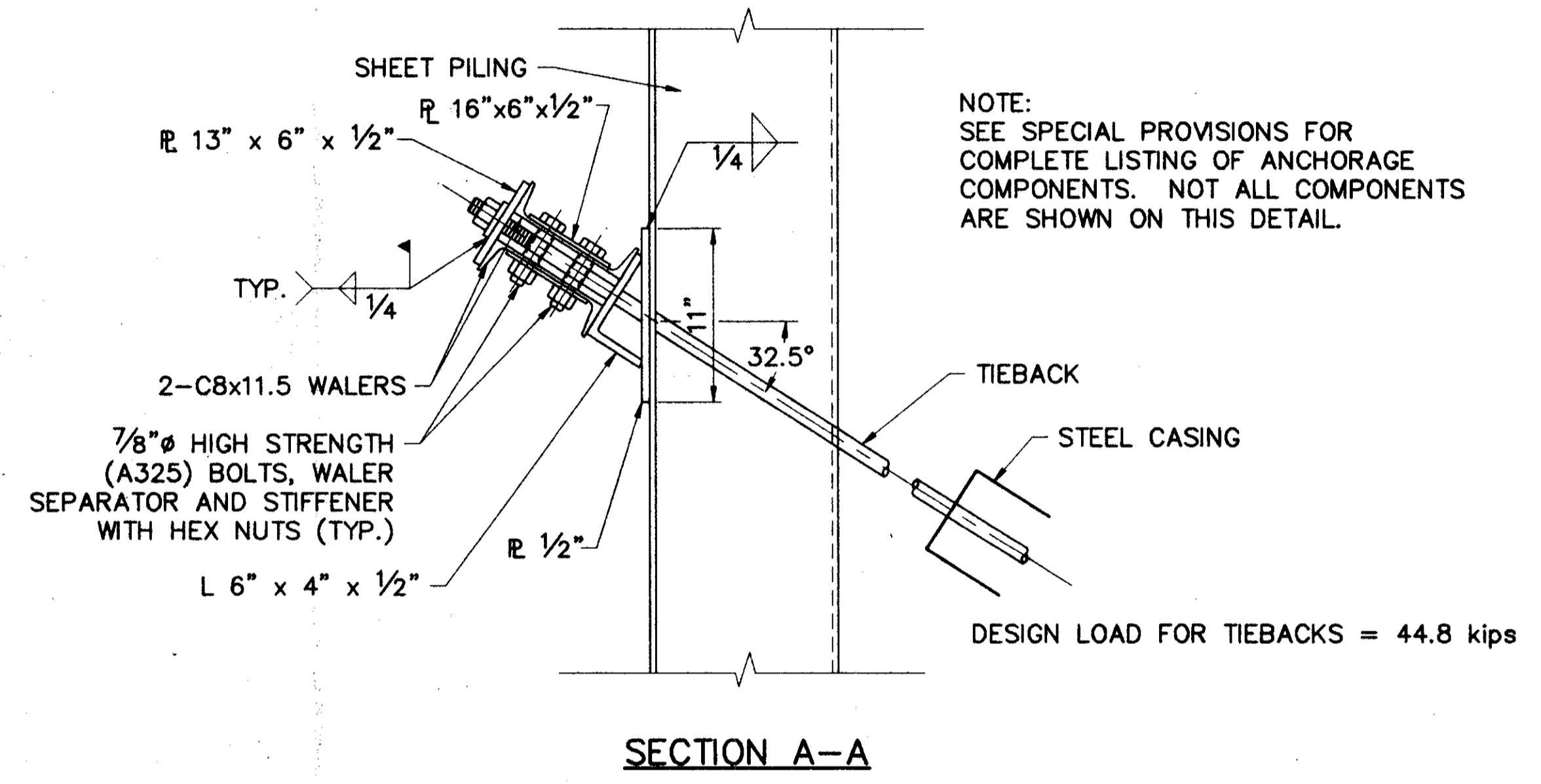
LEGEND:

- ① ANCHORAGE COVER
- ② ANCHOR HEAD AND WEDGES
- ③ ANTICORROSION GREASE OR GROUT
- ④ BEARING PLATE
- ⑤ TRUMPET
- ⑥ SEAL
- ⑦ ANTICORROSION GREASE OR GROUT
- ⑧ PVC OR POLYETHYLENE TUBE
- ⑨ INDIVIDUAL GREASED AND SHEATHED STRANDS
- ⑩ SPACER
- ⑪ STRAND TENDON
- ⑫ CORRUGATED POLYETHYLENE OR PVC
- ⑬ CENTRALIZER
- ⑭ ANCHOR GROUT
- ⑮ GROUT OR POLYESTER RESIN
- ⑯ END CAP

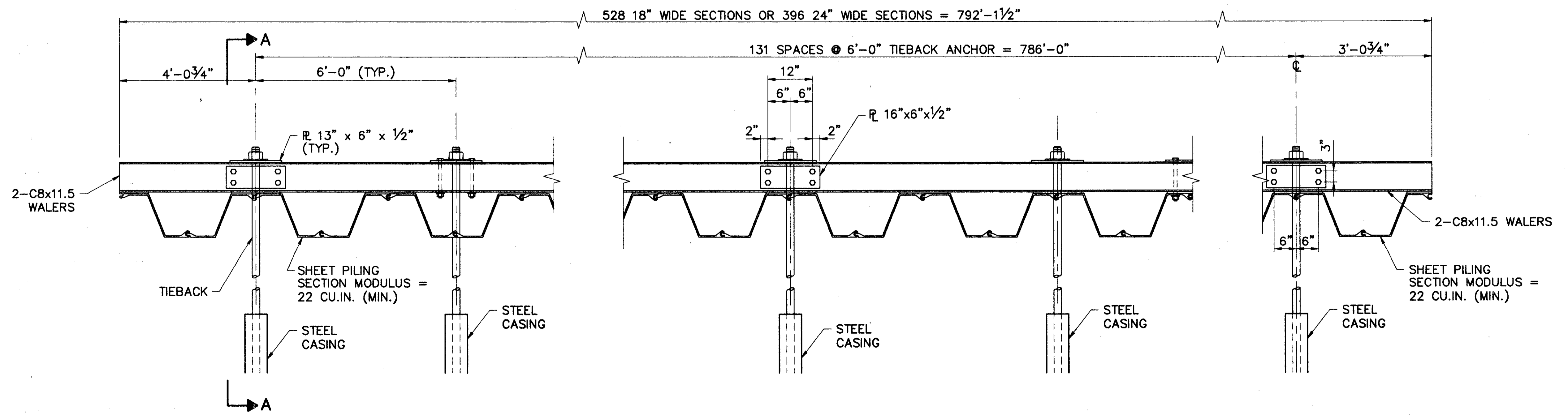
LEGEND:

- ① ANCHORAGE COVER
- ② NUT
- ③ ANTICORROSION GREASE
- ④ BEARING PLATE
- ⑤ TRUMPET
- ⑥ ANTICORROSION GREASE OR GROUT
- ⑦ SEAL
- ⑧ PVC BOND BREAKER
- ⑨ PROTECTION BAR COUPLER
- ⑩ BAR TENDON
- ⑪ ENCAPSULATION GROUT
- ⑫ CENTRALIZER
- ⑬ CORRUGATED PVC
- ⑭ ANCHOR GROUT
- ⑮ END CAP

** EXAMPLES OF DOUBLE CORROSION PROTECTION TIEBACKS. TO BE USED AS A REFERENCE. ON THIS PROJECT THE TRUMPET SHALL EXTEND A MINIMUM OF 3ft BEHIND THE BACK OF THE SHEET PILE WALL.



SECTION A-A



PLAN VIEW AT WALER
(COATED WITH COAL TAR EPOXY OR FUSION BONDED)

NOTE: ALL SHEET PILING SHALL BE COATED WITH COAL TAR EPOXY OR FUSION BONDED

DATE: 09-18-96 - TIME: 08:39 - H: C:\T\93119\CAD\93119338.DWG

CT Consultants, Inc.
Retaining Wall Details

DATE	8/95
REVIEWED	J.E.A.
DESIGNED	R.J.P.
CHECKED	C.H.P.
STRUCTURE FILE NUMBER	
REVISION	

LAK - 84 - 5.04

6 / 6

36