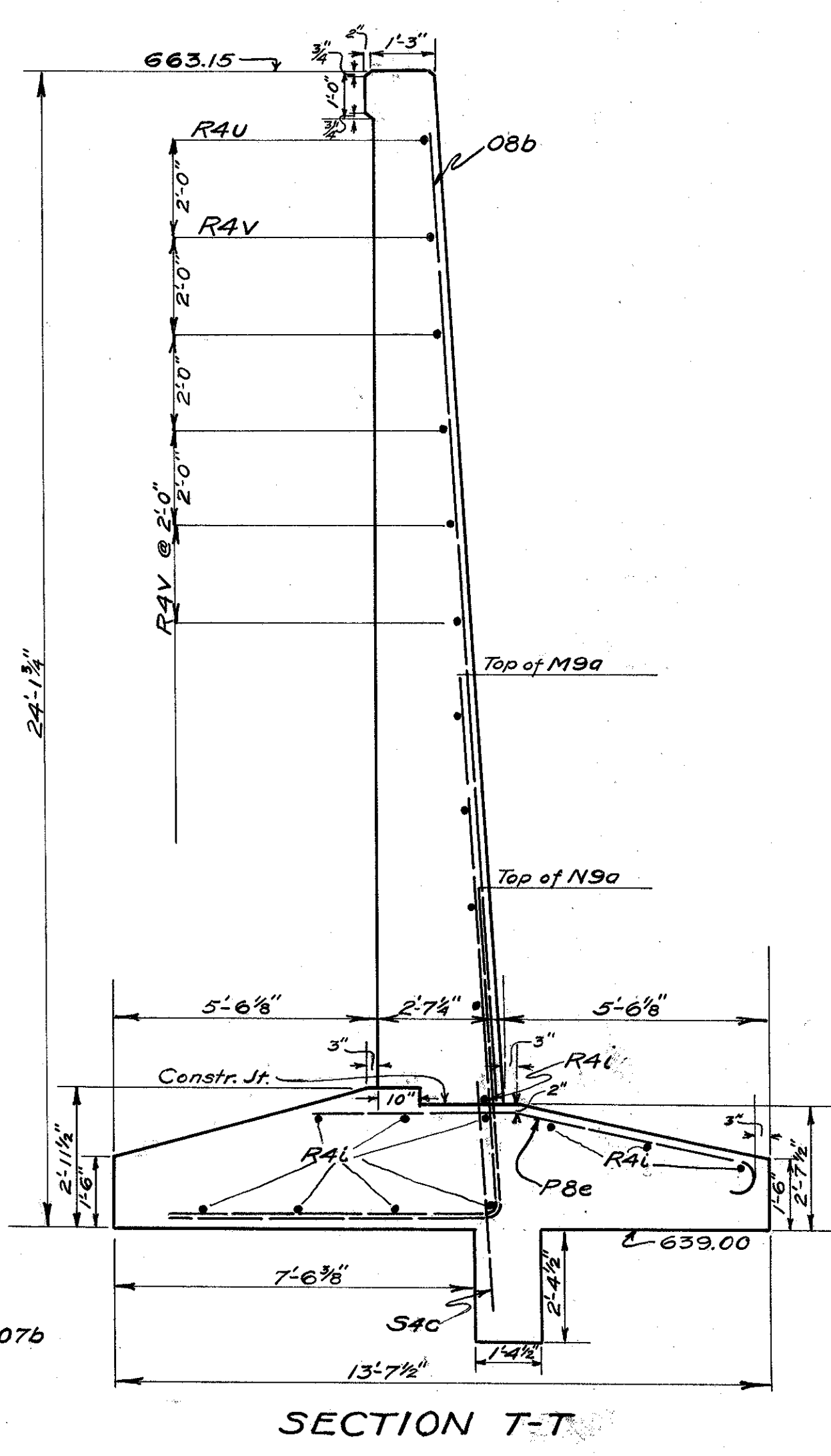
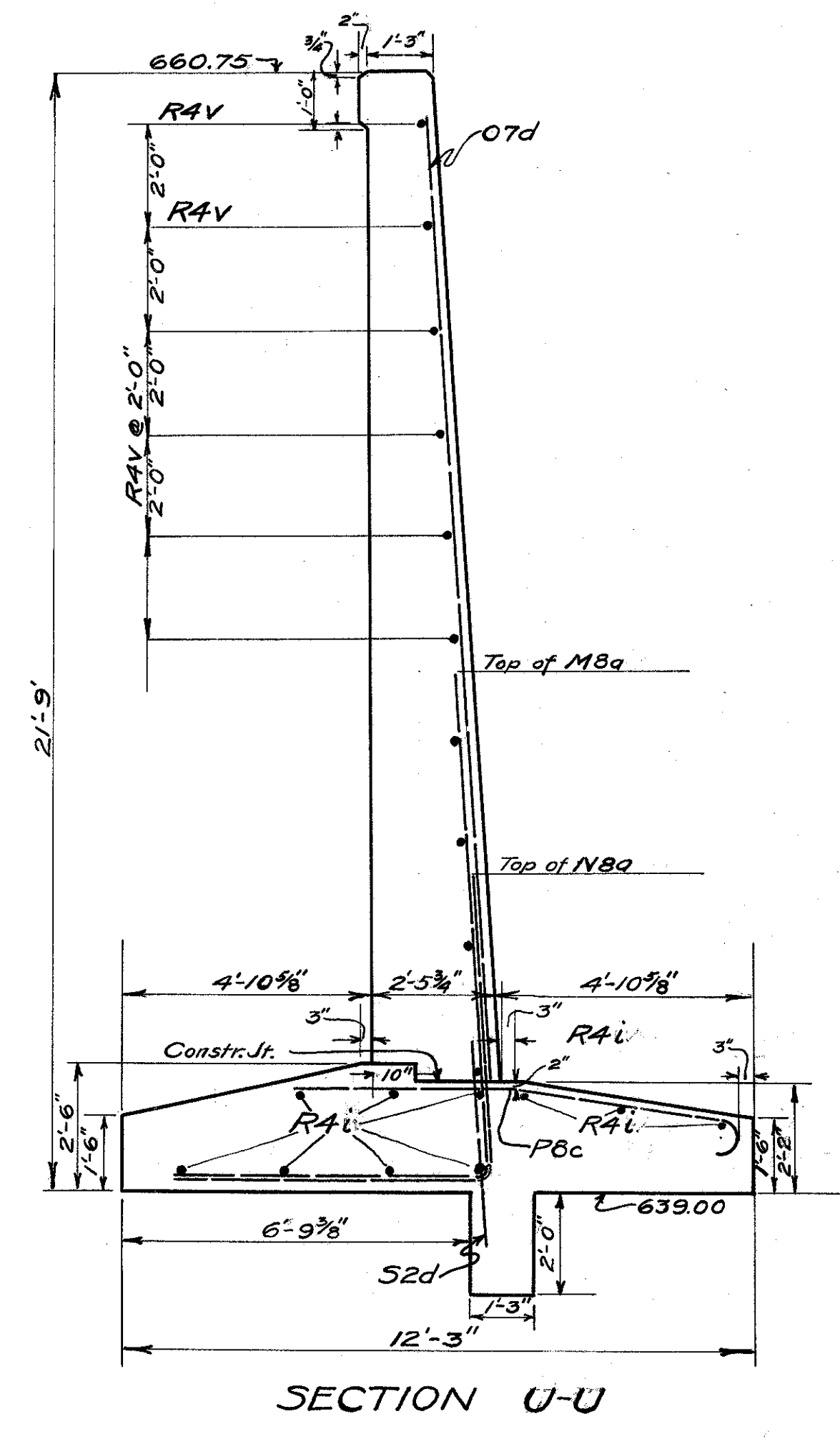


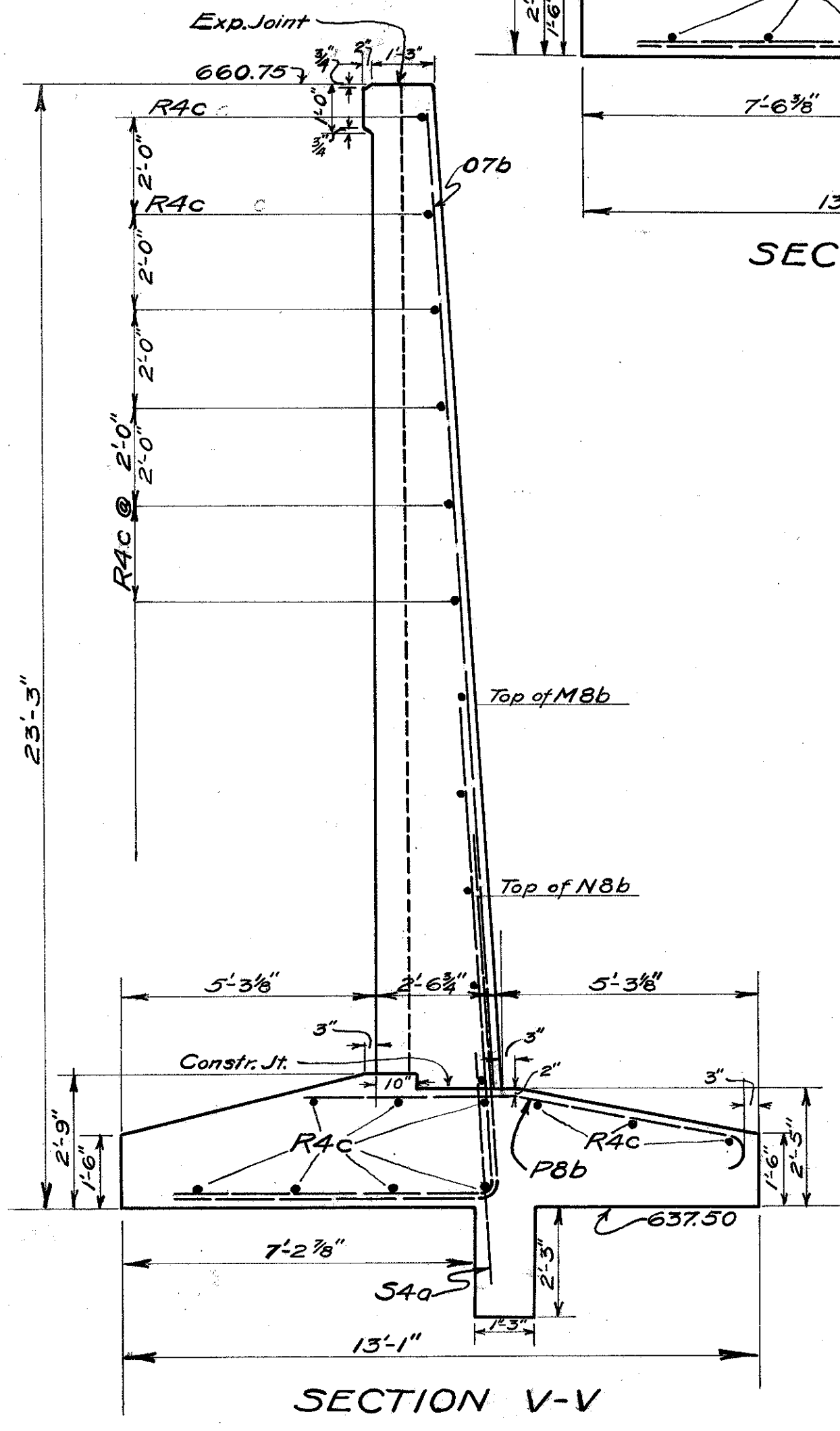
SECTION S-S



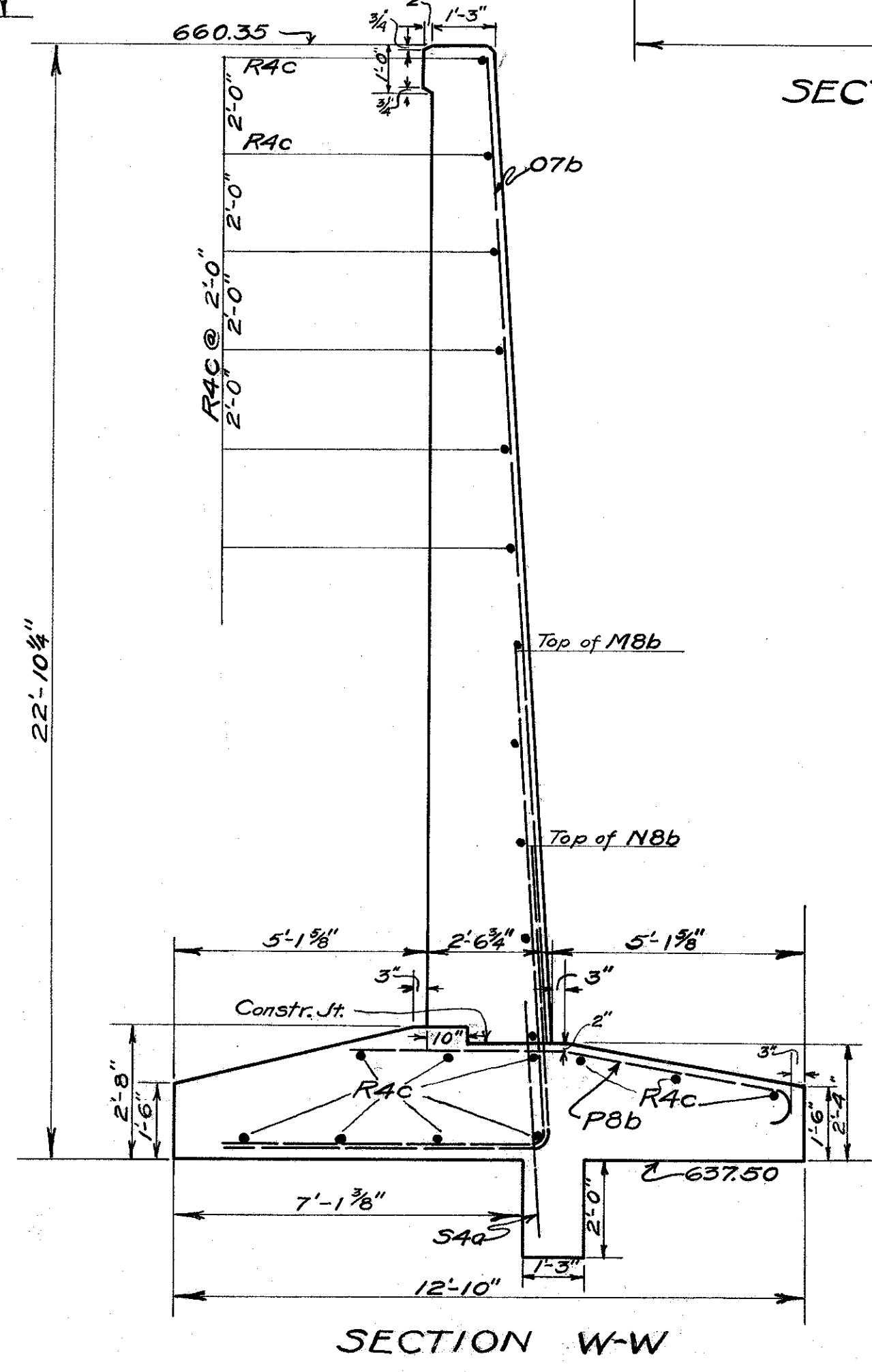
SECTION T-T



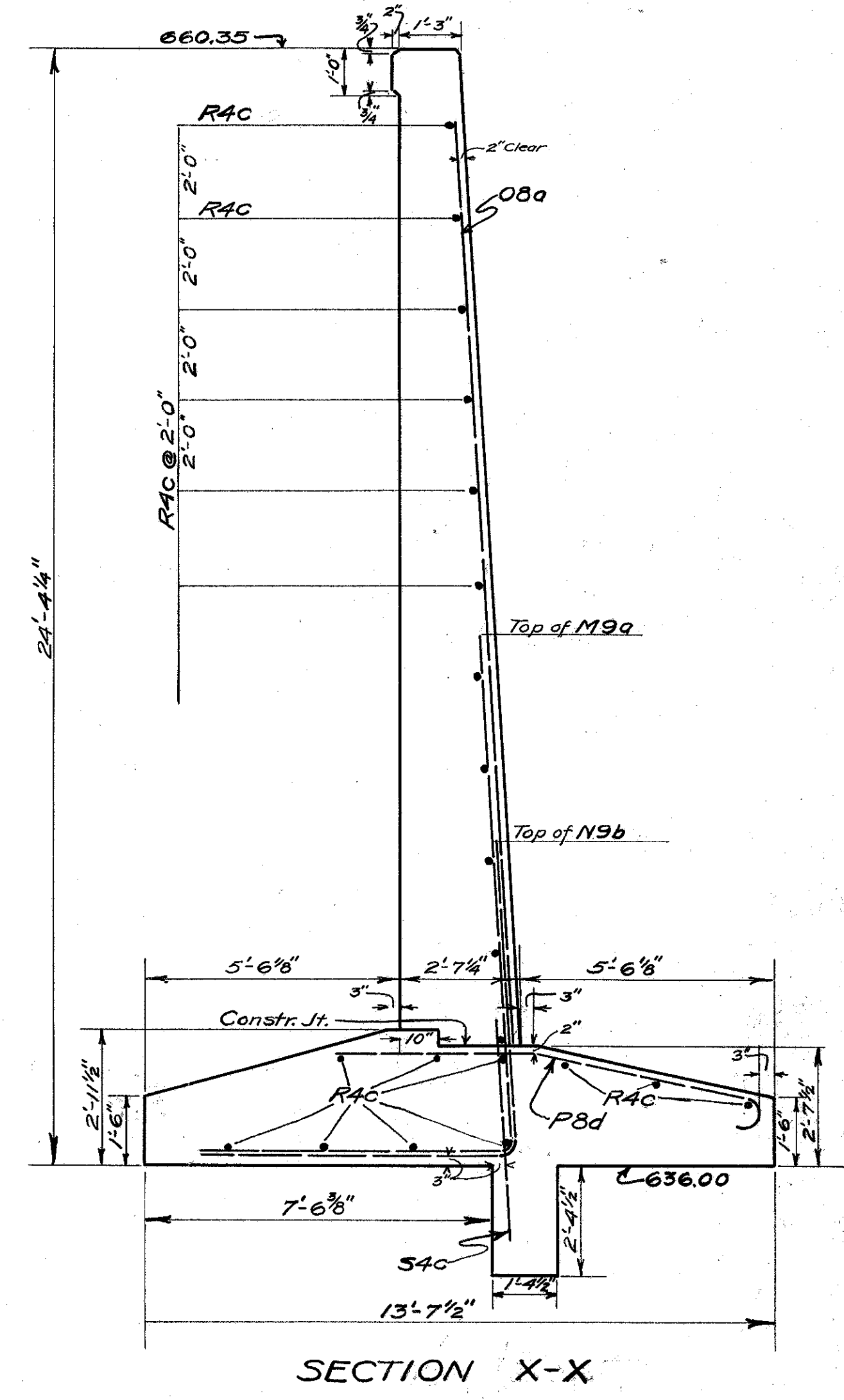
SECTION U-U



SECTION V-V



SECTION W-W



SECTION X-X

Scale 3/8" = 1'

Reinforced Concrete Wall  
Sta. 5+0 to 7+0 on R.