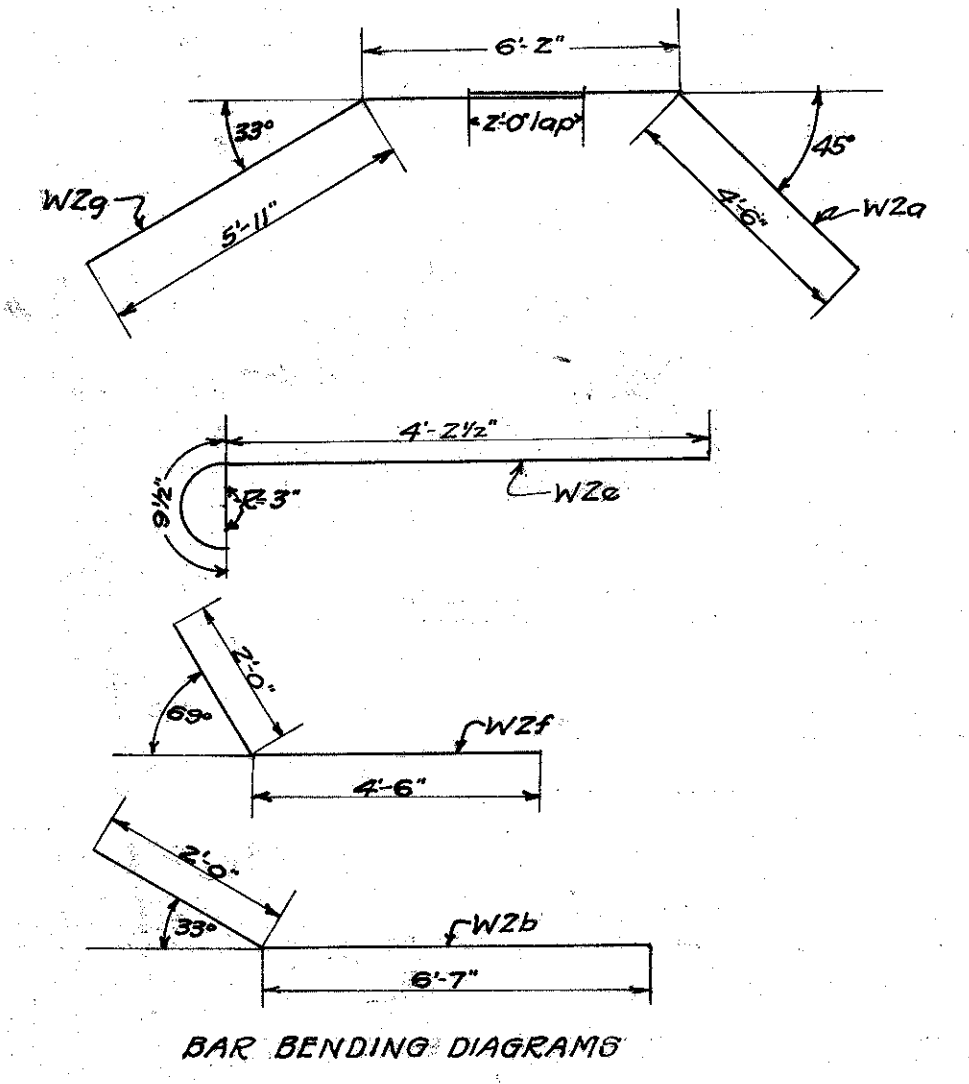
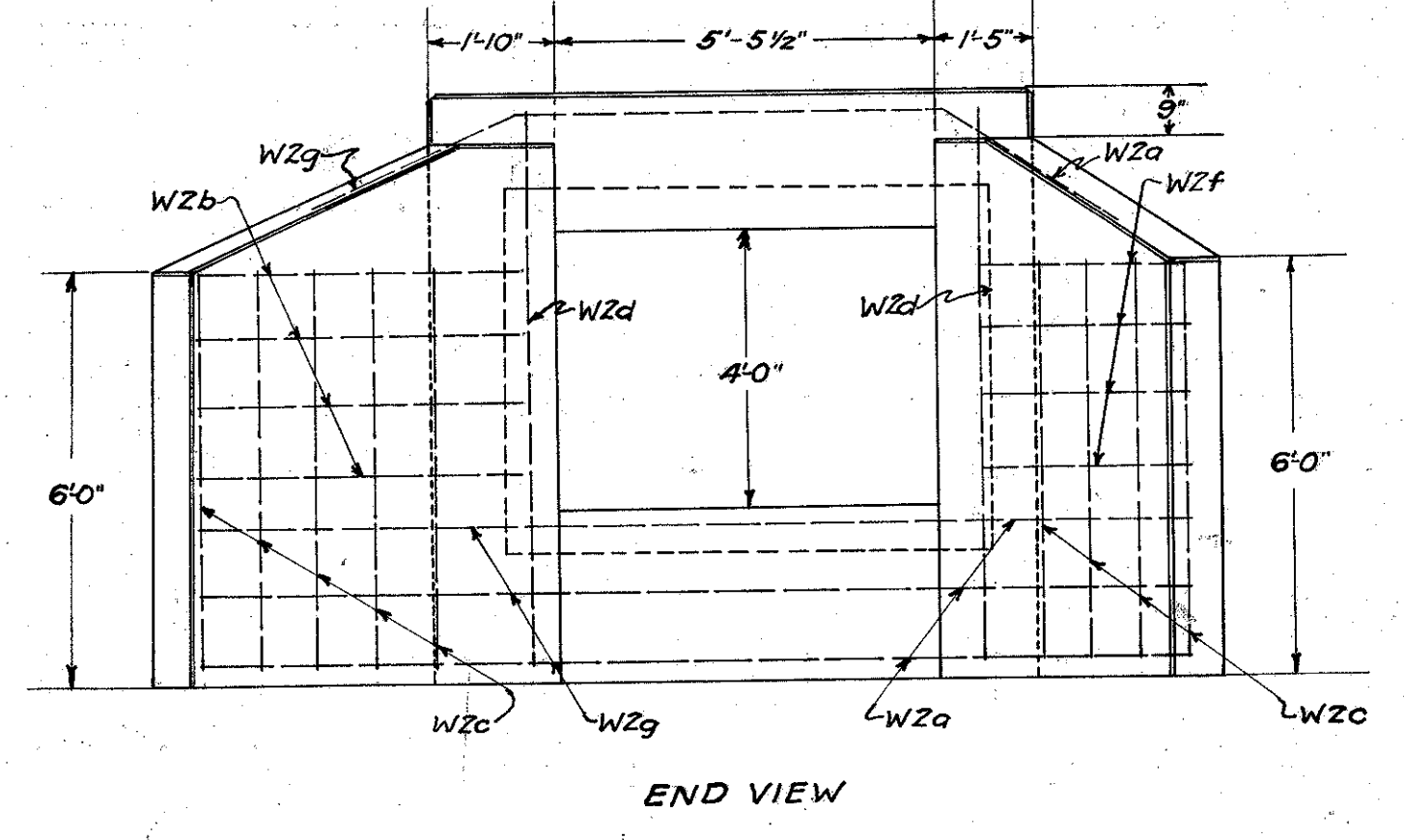
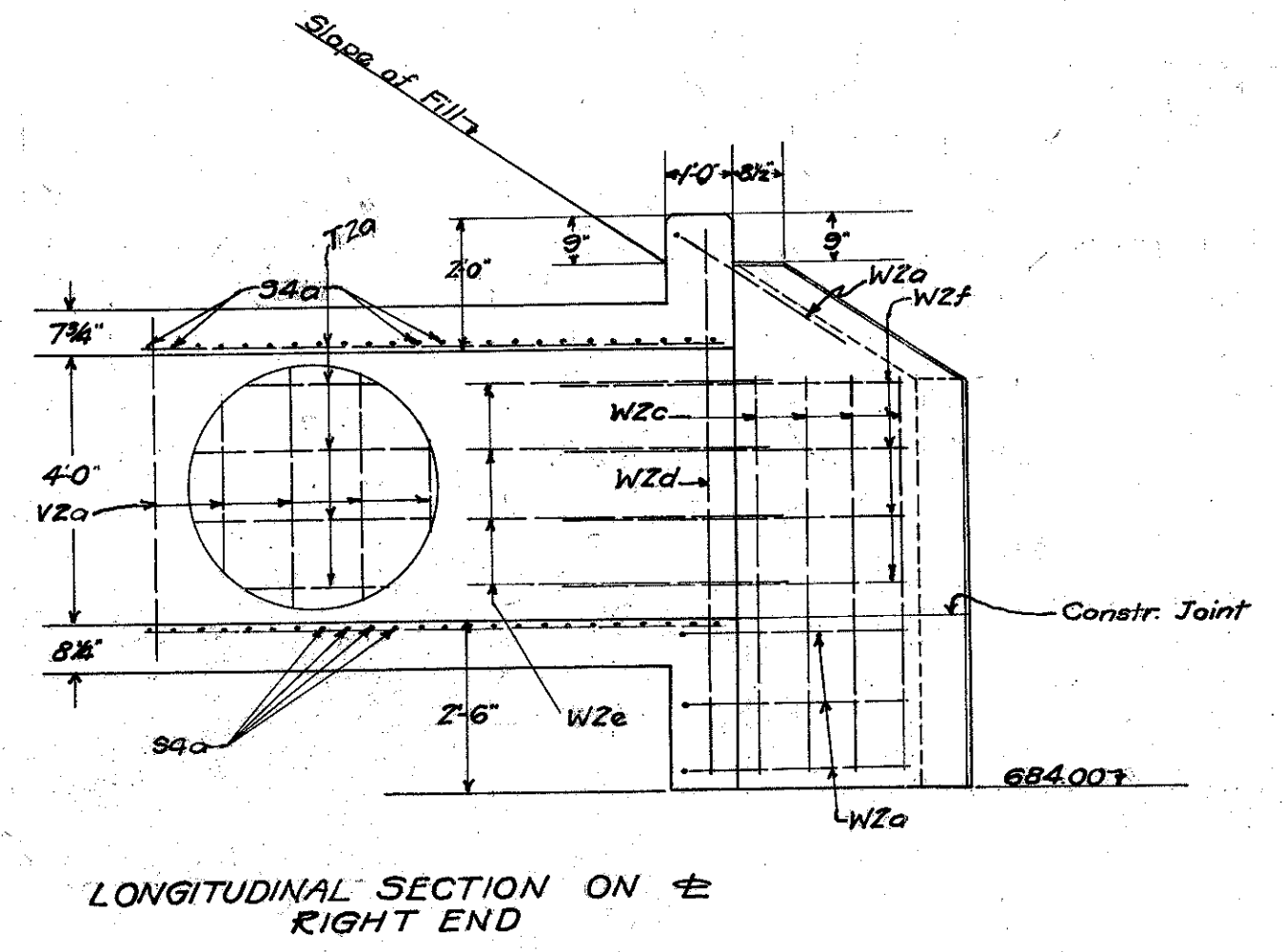
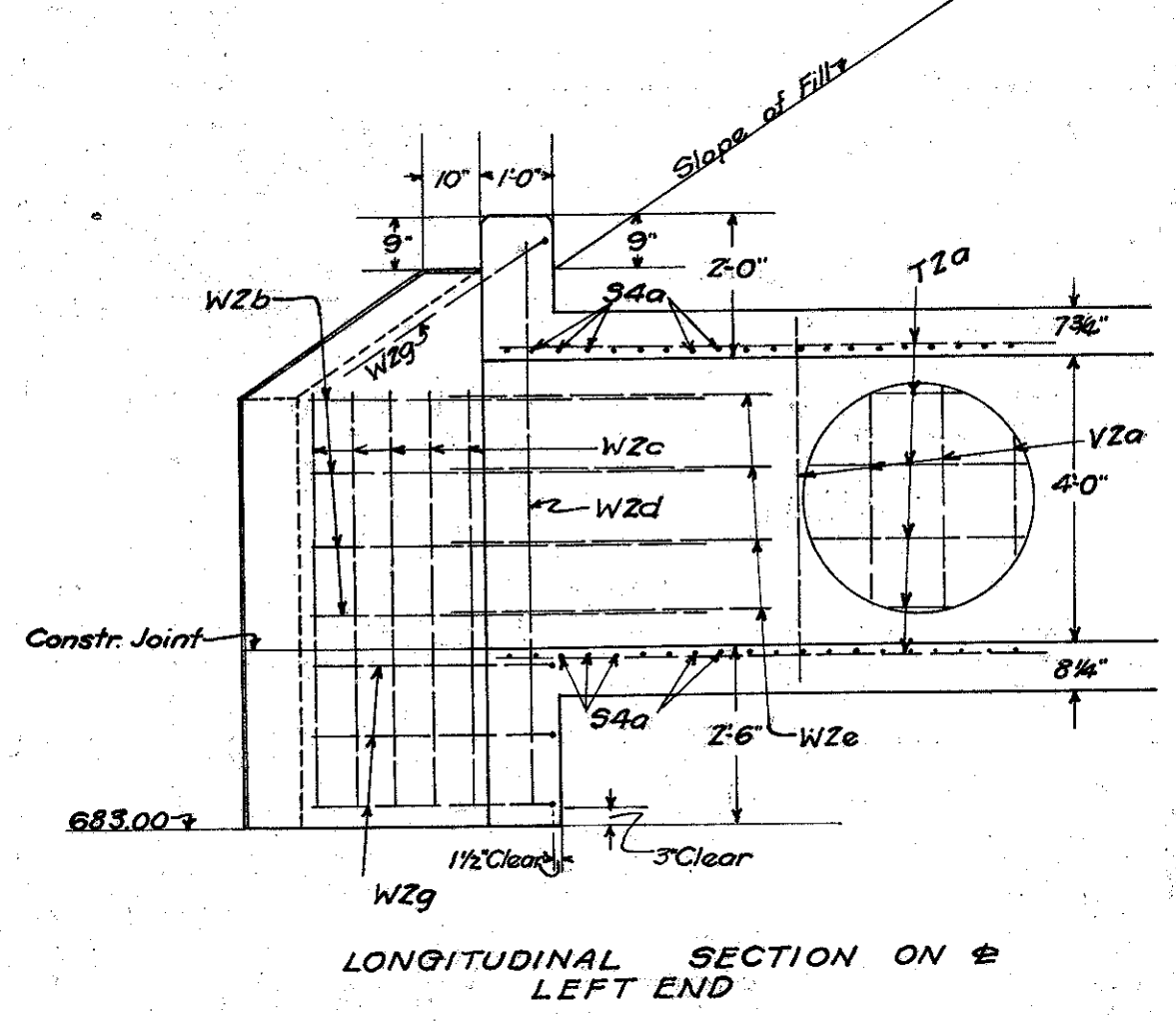
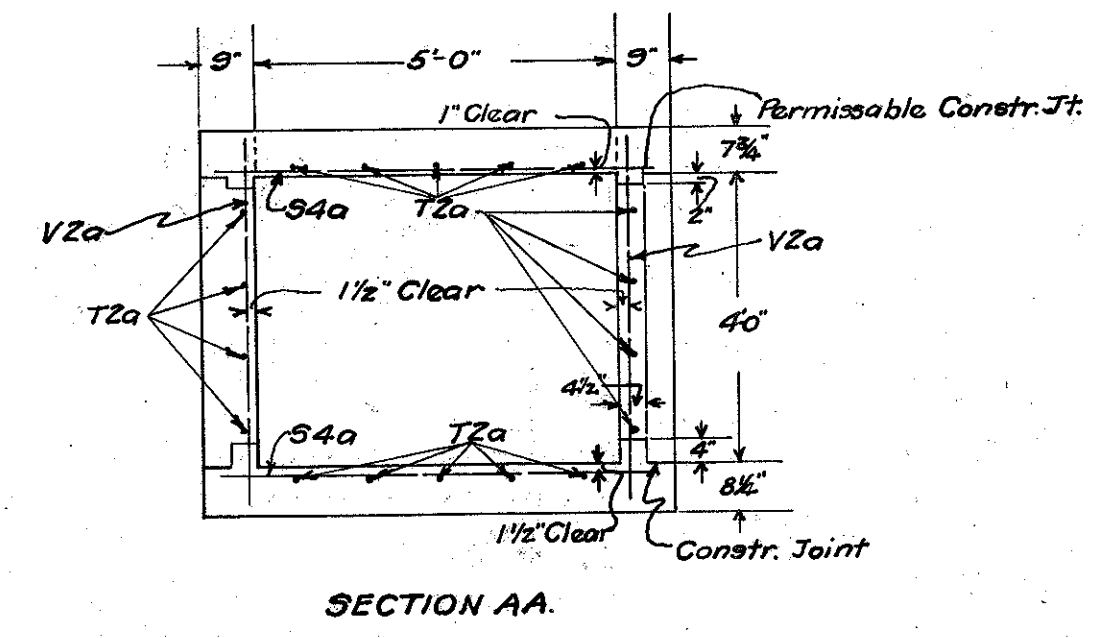
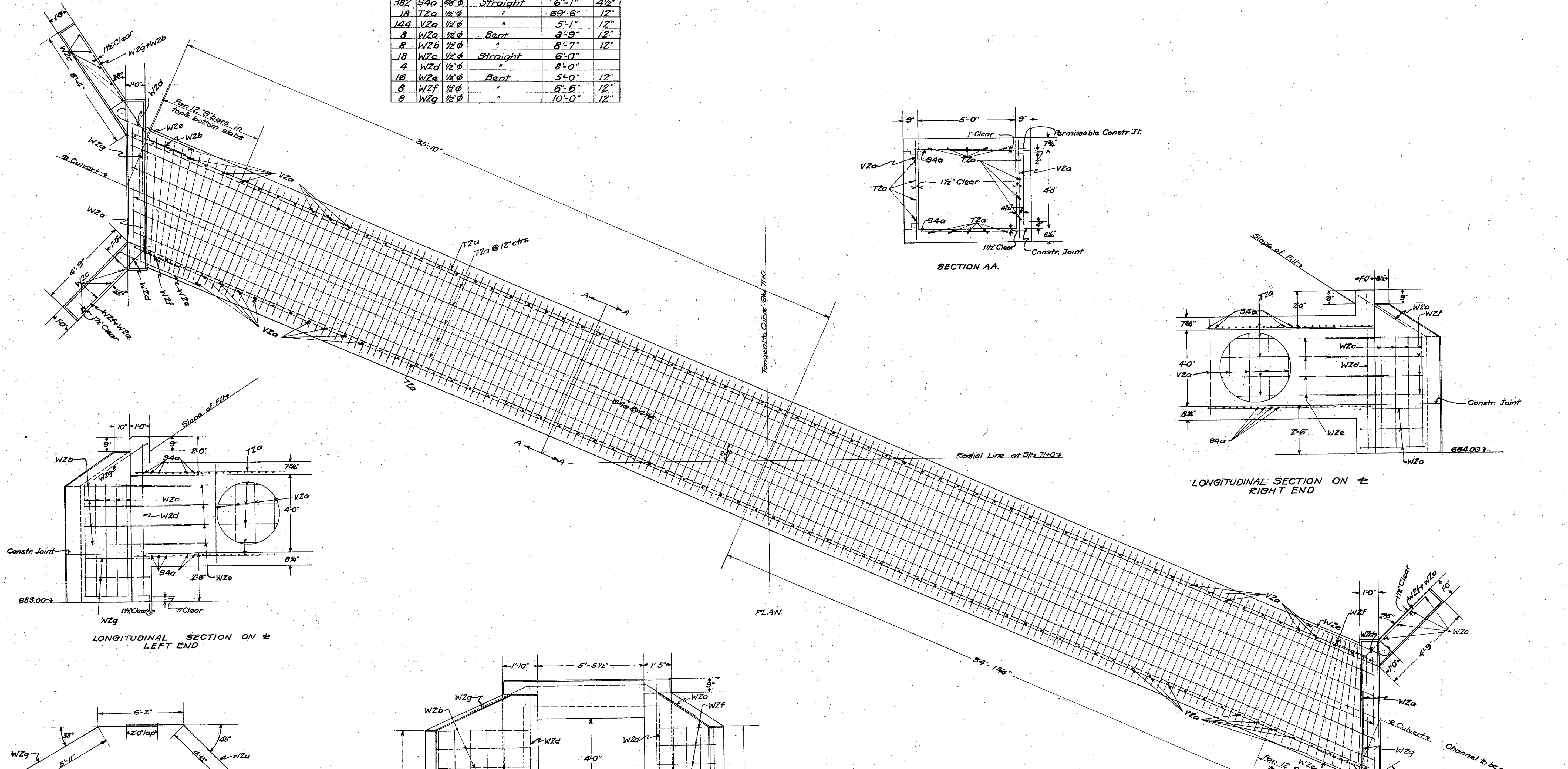


STEEL LIST					
No	Mark	Size	Stret or Bent	Length	Splicing
382	S4a	5/8" φ	Straight	6'-1"	4 1/2"
18	T2a	1/2" φ	"	69'-6"	12"
144	V2a	1/2" φ	"	5'-1"	12"
8	W2a	1/2" φ	Bent	8'-9"	12"
8	W2b	1/2" φ	"	8'-7"	12"
18	W2c	1/2" φ	Straight	6'-0"	
4	W2d	1/2" φ	"	8'-0"	
16	W2e	1/2" φ	Bent	5'-0"	12"
8	W2f	1/2" φ	"	6'-6"	12"
8	W2g	1/2" φ	"	10'-0"	12"



CULVERT DATA
 Type: Std. Concrete Box Culvert Std. Dr. BCA.
 Size: 5' x 4' x 69'-11 3/4"
 Work Req.: Build Std. 5' x 4' x 69'-11 3/4" Con. Box culvert (24° L.F. Skew). Open new channel on R.

EST. QUANTITIES
 Exc. 32 cu yds.
 Con. 1-5 1/2 45.5
 Reinf. Steel 4,075 lbs.

Sta. 71+0
 Div'n. Engr.

Drawn by: Plummer
 Date: 11/14/30.

Checked by:
 Date:

11