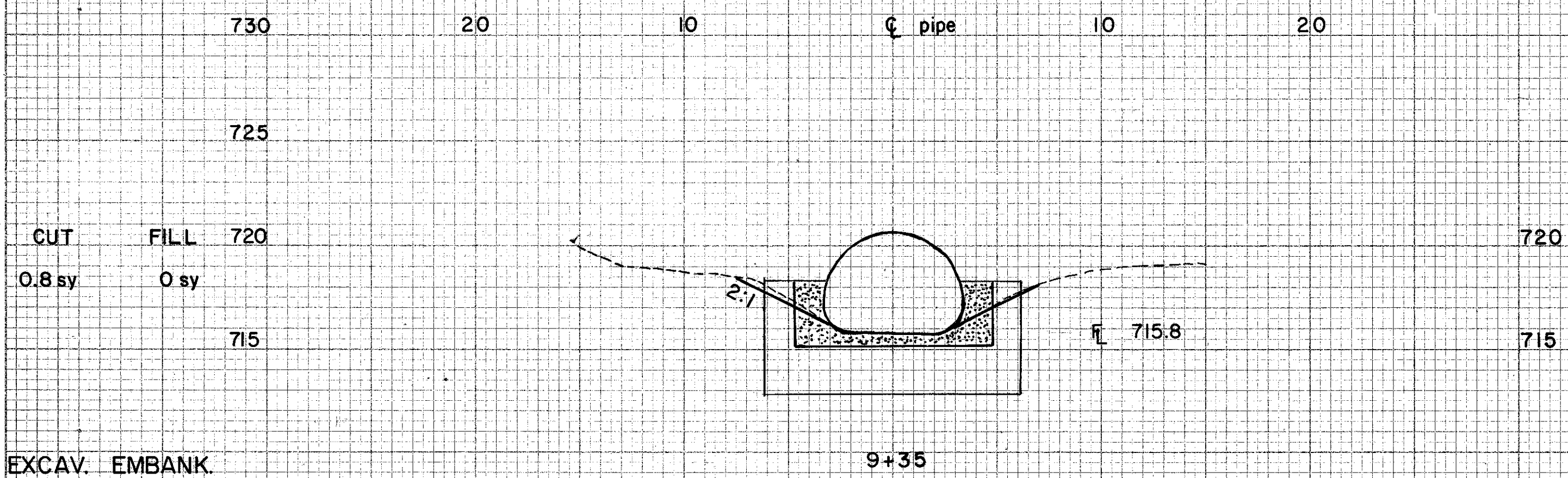
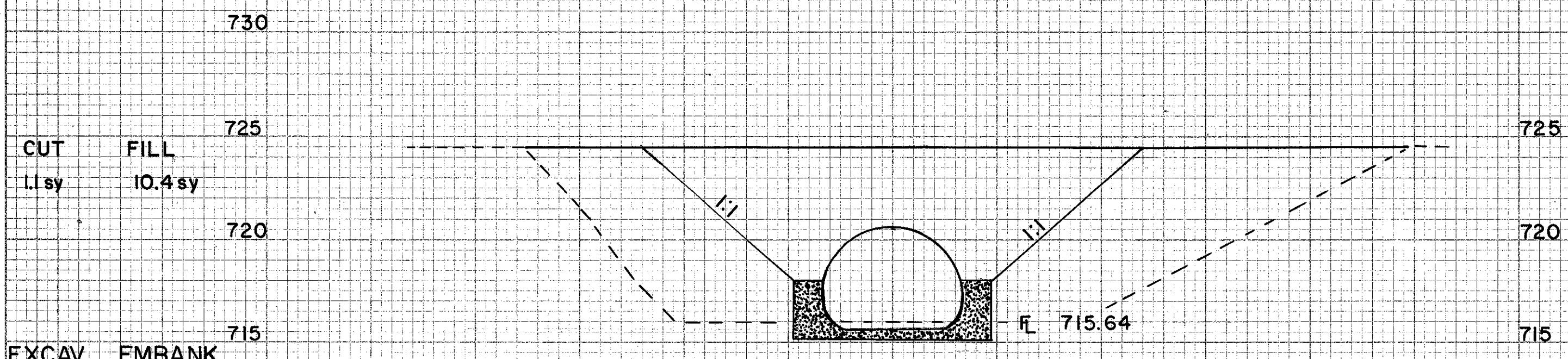


DATE _____
BY _____
SURVEYED _____
FINAL SURVEY _____
NOTE BOOK _____
NO. _____
AREAS CHECKED _____

DATE _____
BY _____
SURVEYED _____
ORIGINAL SURVEY _____
NOTE BOOK _____
NO. _____
AREAS CHECKED _____



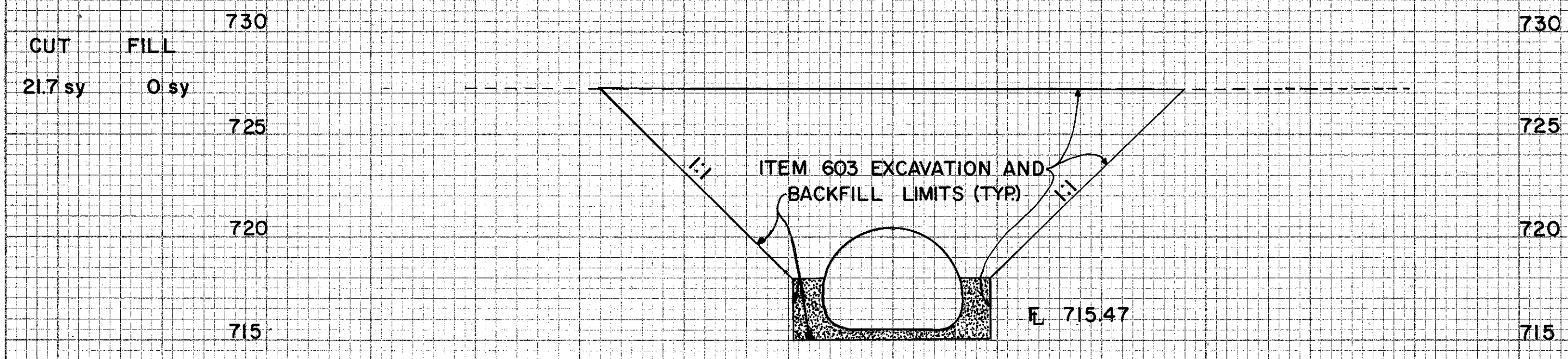
EXCAV. EMBANK.
8.2 cy 45.1 cy



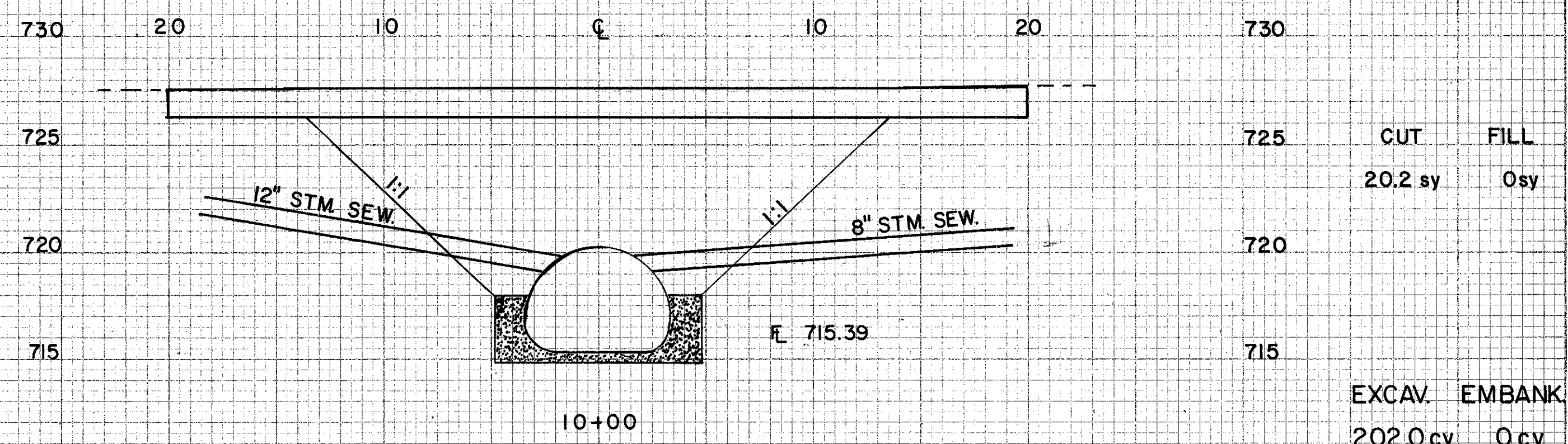
EXCAV. EMBANK.
3.3 cy 31.2 cy

STA. 9+70
EXIST. HEADWALL

EXCAV. EMBANK.
123.0 cy 0 cy



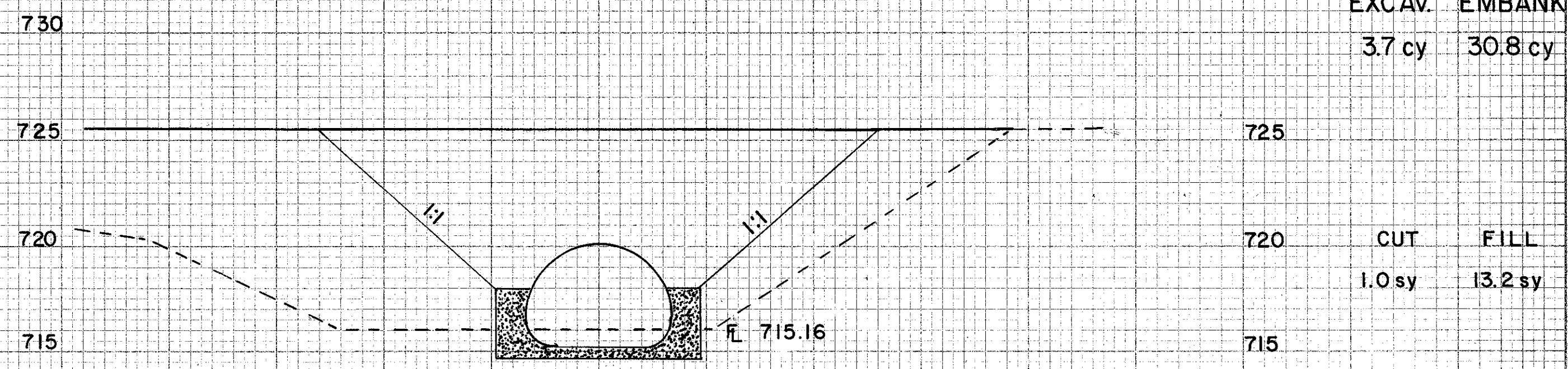
EXCAV. EMBANK.
90.8 cy 0 cy



CUT FILL
20.2 sy 0 sy

EXCAV. EMBANK.
202.0 cy 0 cy

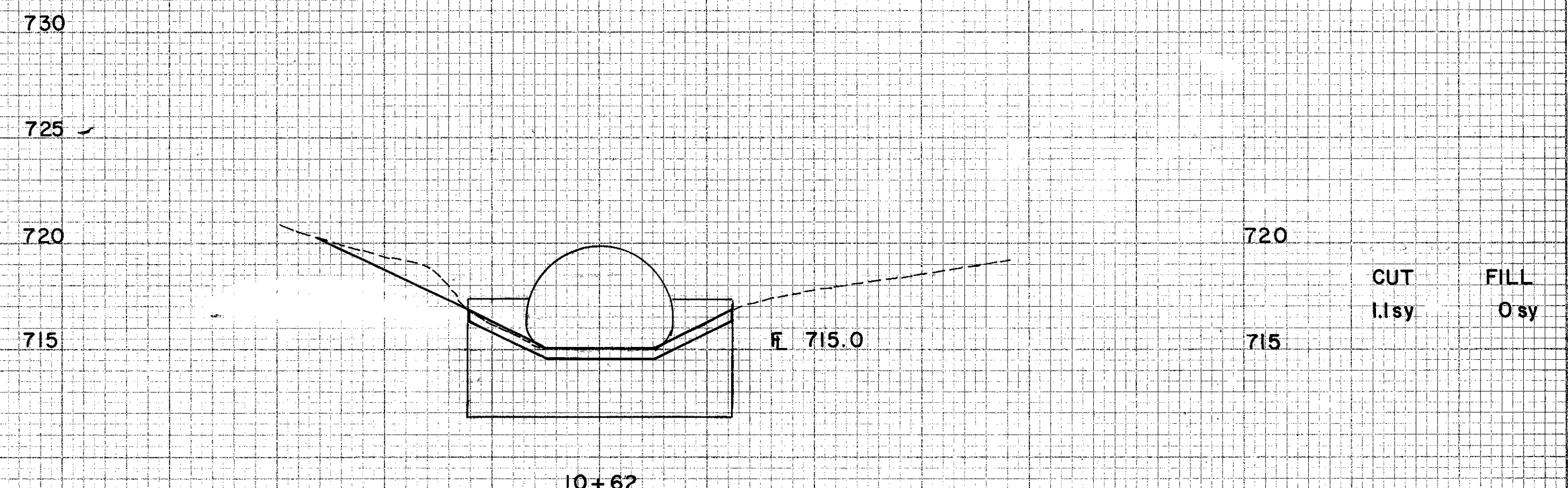
STA. 10+30
EXIST. HEADWALL



EXCAV. EMBANK.
3.7 cy 30.8 cy

CUT FILL
1.0 sy 13.2 sy

EXCAV. EMBANK.
11.3 cy 55.0 cy



CUT FILL
1.1 sy 0 sy

ITEM 603 EARTHWORK		EXCAV.	EMBANK.
		442.3	162.1
ITEM 603 EXCAVATION - DEDUCTION FOR EXIST. CULVERT REMOVED UNDER ITEM 202		-106.0	
TOTALS		336.3 cy	162.1 cy