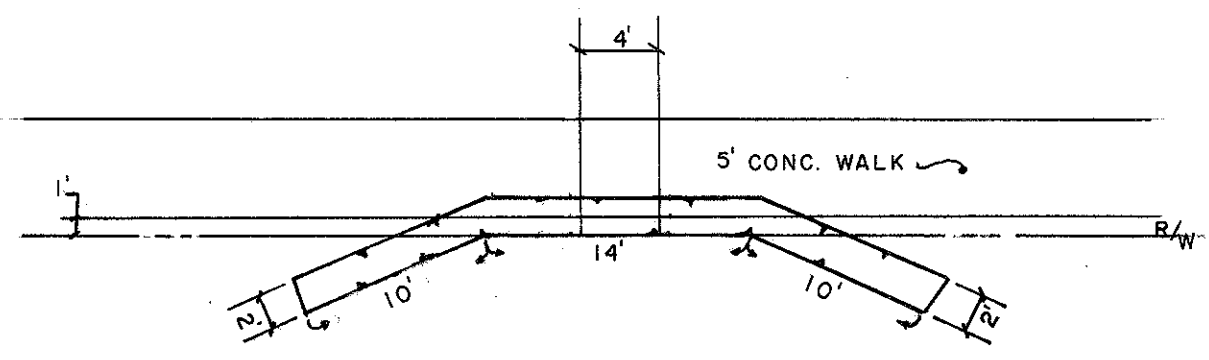
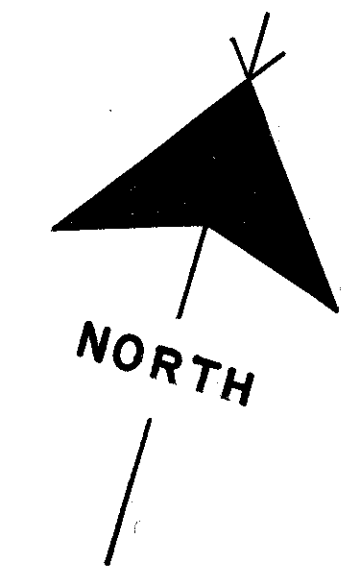
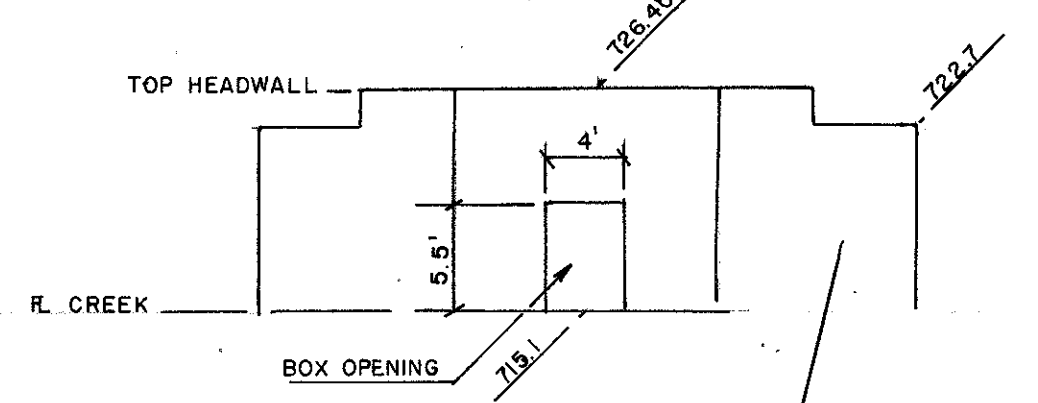


PLAN NO. BR-98-84

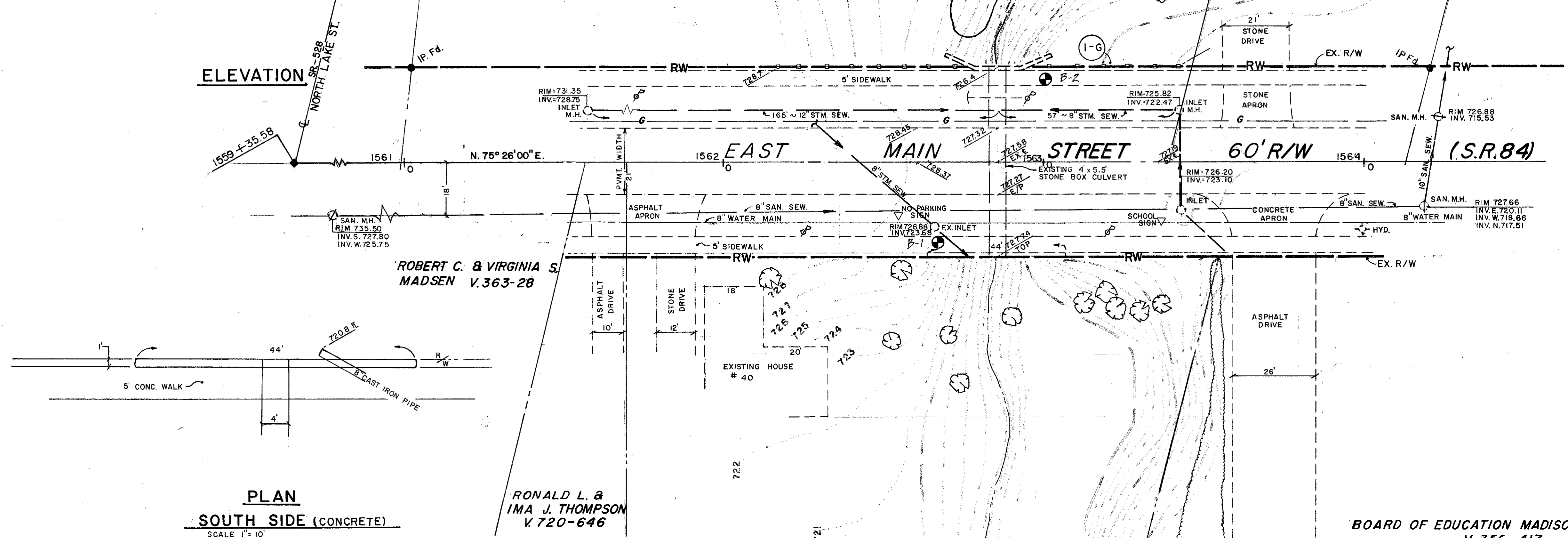
EXISTING PLAN S.R. 84 CULVERT



PLAN
NORTH SIDE (SANDSTONE)
SCALE 1"=10'



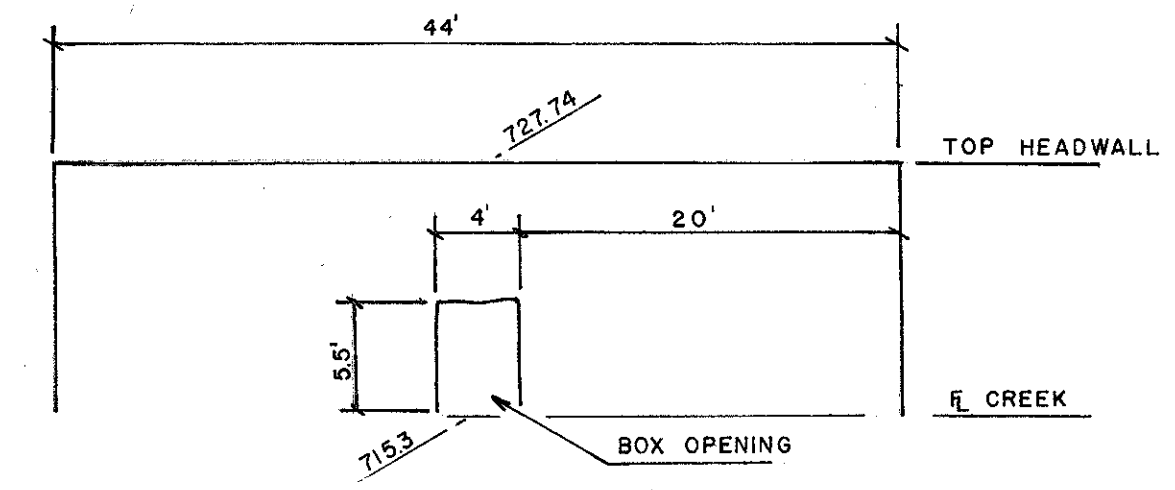
ELEVATION
NORTH SIDE



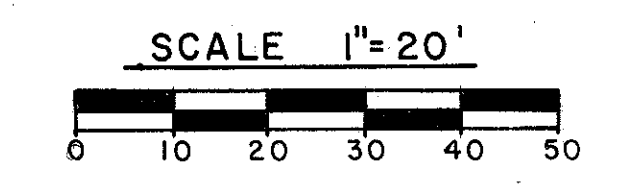
ESTIMATED QUANTITIES FOR INFORMATIONAL PURPOSES ONLY FOR ITEM 202. STRUCTURES REMOVED ARE AS FOLLO:

REINFORCED CONCRETE	21.5 C.Y.
STONE BLOCK	52.8 C.Y.

PLAN
SOUTH SIDE (CONCRETE)
SCALE 1"=10'



ELEVATION
SOUTH SIDE



DEBEVEC · SAIO & ASSOCIATES, INC.
CIVIL ENGINEERS SURVEYORS
PAINESVILLE OHIO

S.R. 84 CULVERT REPLACEMENT
EXISTING PLANS & ELEVATIONS
MADISON VILLAGE, OHIO

REVISIONS	4.		
	3.		
	2.		
	1.		

DRAWN BY: DATE: CHK'D BY: DATE:
SCALE: 1"=20'

FILE # **7**
W.O. # **6009** **11**

DRAWING 44-12-95026

DEBEVEC · SAIO & ASSOCIATES, INC.
CIVIL ENGINEERS · SURVEYORS