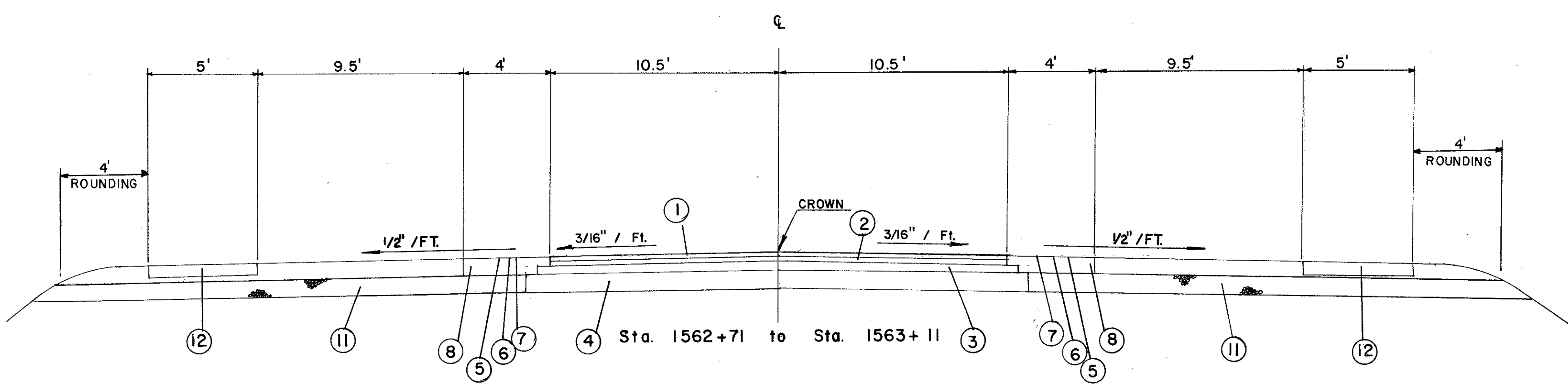
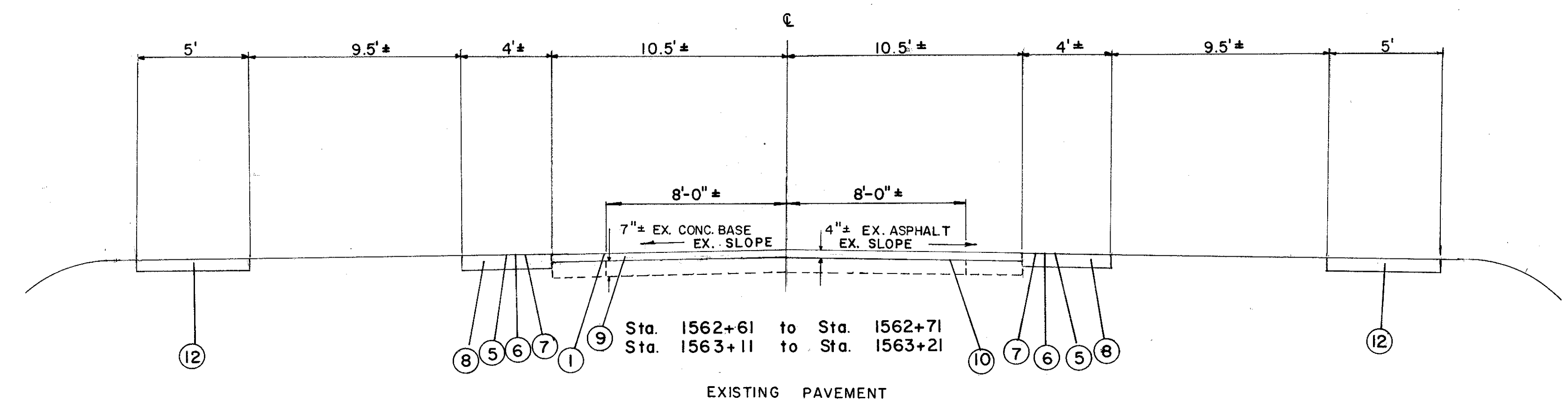


TYPICAL SECTIONS

PLAN NO. BR-98-84



LEGEND

- ① Item 404 1.25" Asphalt Concrete AC-20
- ② Item 402 1.75" Asphalt Concrete AC-20
- ③ Item 301 4" Bituminous Aggregate Base, AC-20 or RT-II or RT-I2
- ④ Item 310 6" Subbase, Type II
- ⑤ Item 409 Seal Coat Cover Aggregate No. 8 at 0.008 Cu. Yd. per Sq. Yd.
- ⑥ Item 409 Seal Coat Bituminous Material at 0.30 Gal. per Sq. Yd.
- ⑦ Item 408 Bituminous Prime Coat at 0.40 Gal. per Sq. Yd.
- ⑧ Item 304 6" Aggregate Base
- ⑨ Item 202 Wearing Course Removed (1 1/4" Ave.)
- ⑩ Item 407 Tack Coat and Cover Aggregate
- ⑪ Item 605 Aggregate drains
- ⑫ Item 608 Concrete Walk

	DEBEVEC · SALO & ASSOCIATES, INC. CIVIL ENGINEERS SURVEYORS PAINESVILLE OHIO		REVISIONS 4. 3. 2. 1.
	S.R. 84 CULVERT REPLACEMENT TYPICAL SECTIONS MADISON VILLAGE, OHIO		DRAWN BY DATE CHK'D BY DATE SCALE FILE # 3 W. O. # 11