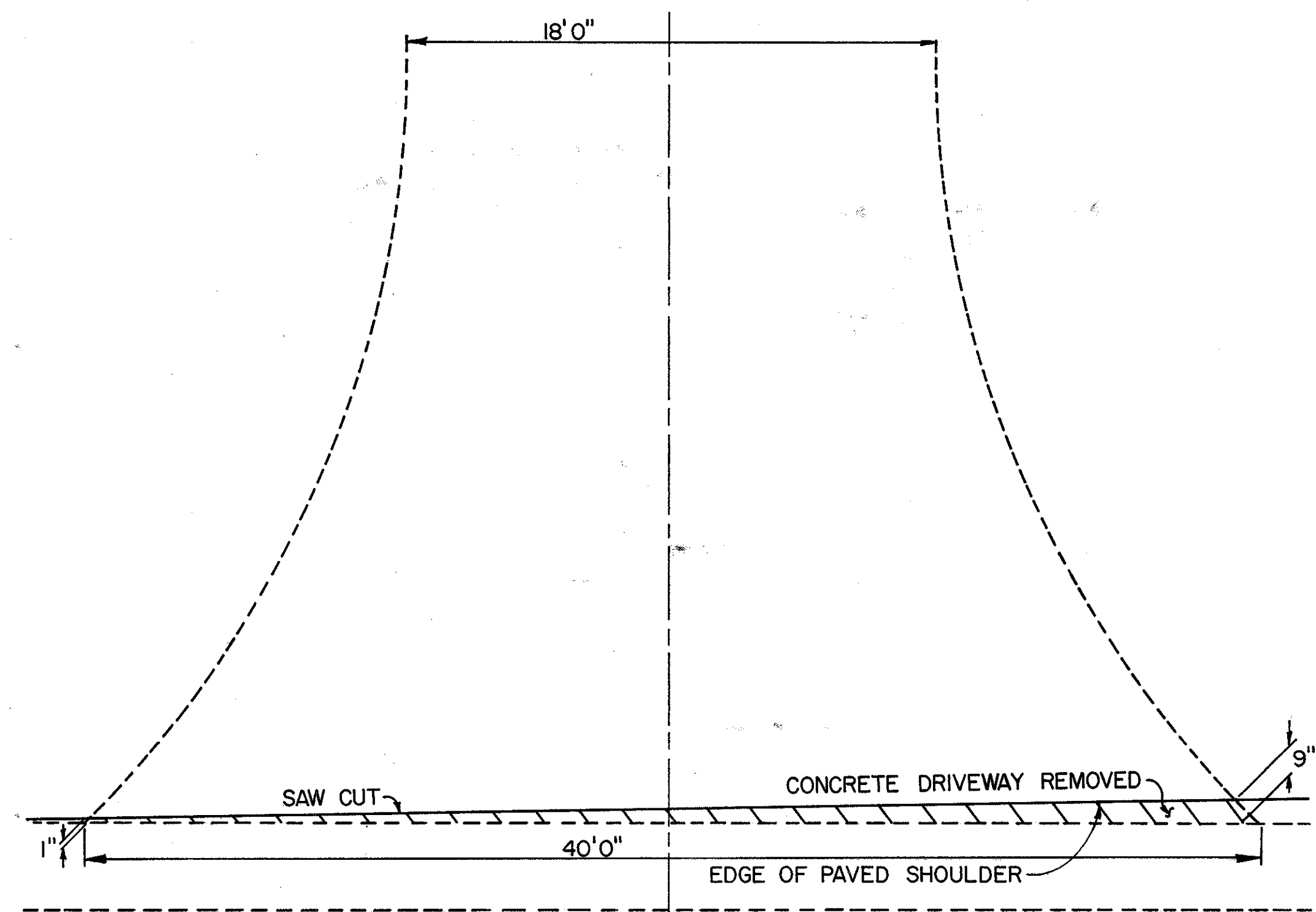


MICROFILMED  
JUL 1 1988

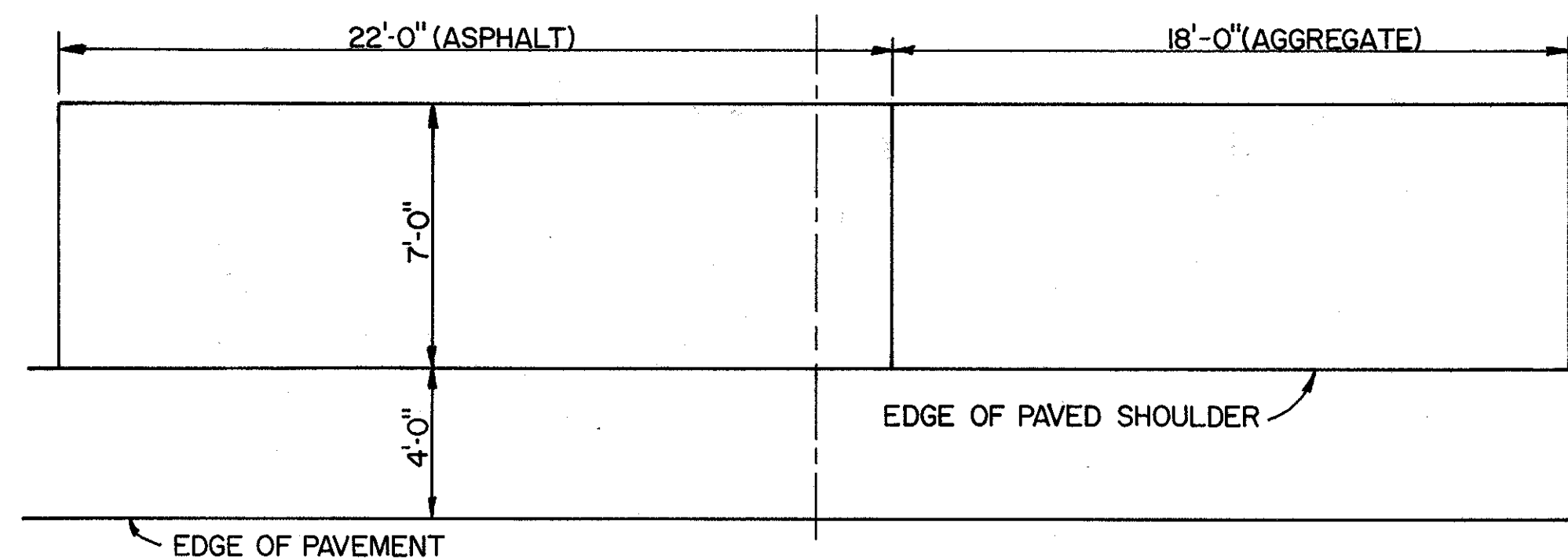
FHWA REGION	STATE	PROJECT
5	OHIO	

23  
31

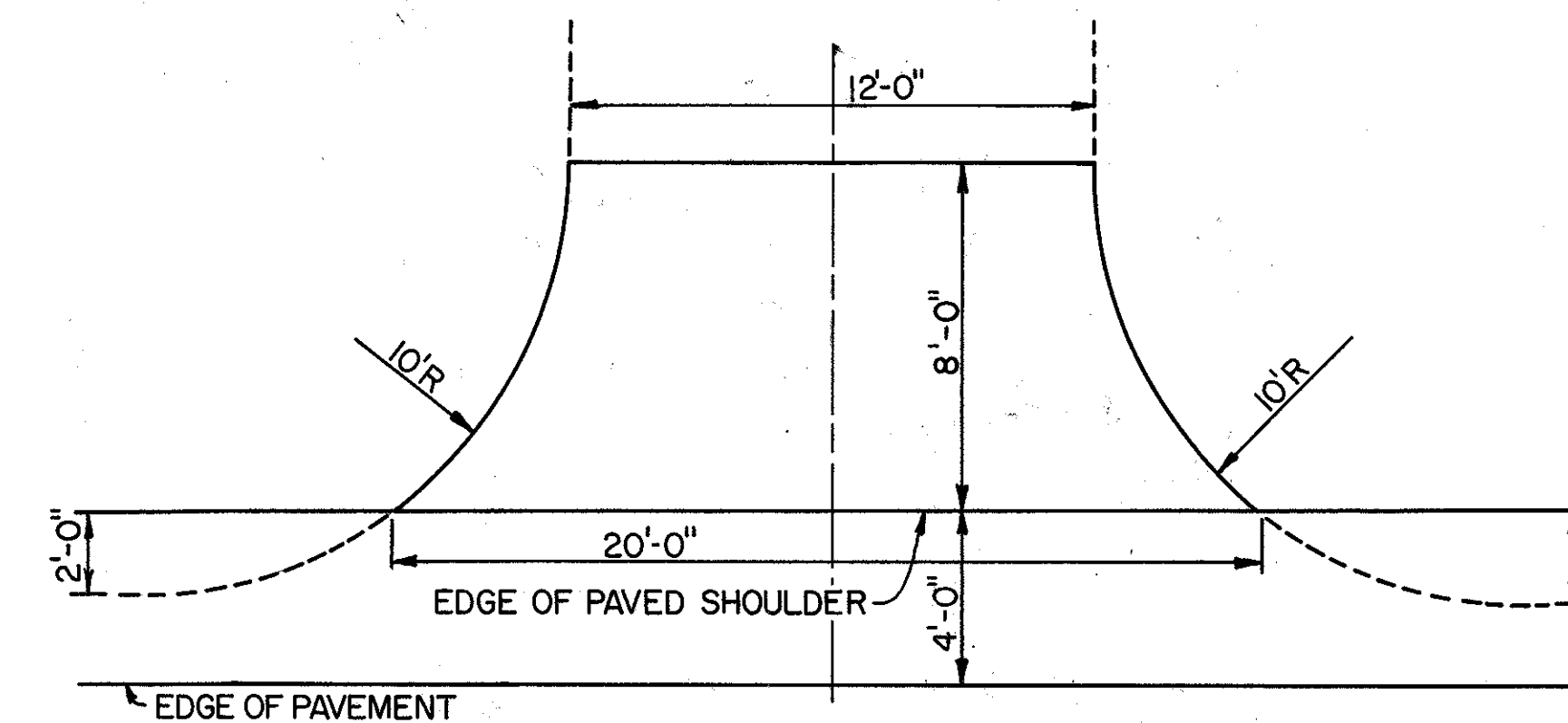
LAKE COUNTY  
LAK-84-27.17



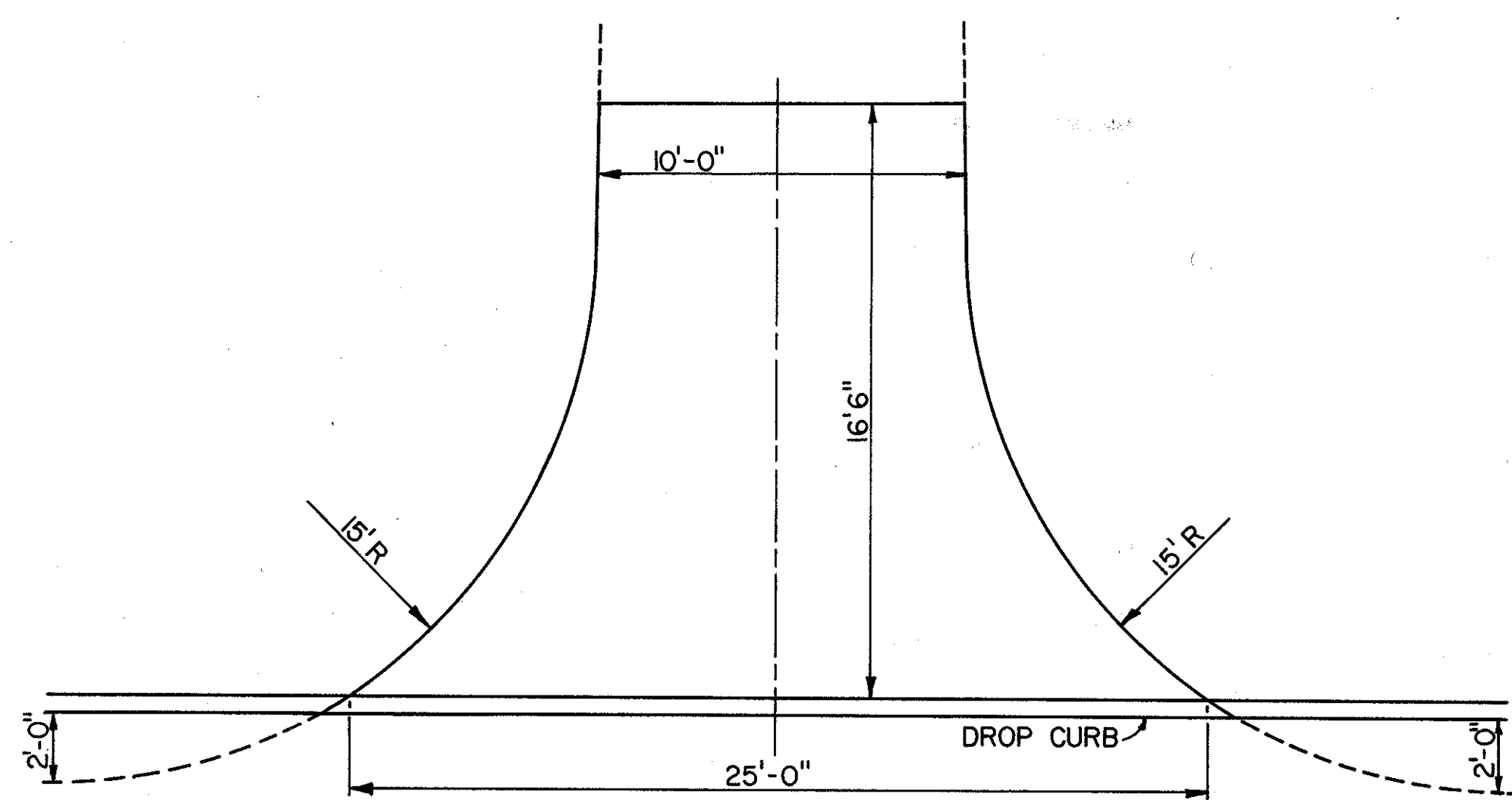
STA. 93+82 DRIVEWAY (CONCRETE)



STA. 96+50 DRIVEWAY (ASPHALT/AGGREGATE)



STA. 97+35 DRIVEWAY (AGGREGATE)



STA. 98+15 DRIVEWAY (AGGREGATE)

STATION	SIDE	USE #	TYPE	DRIVEWAY QUANTITIES					
				202	203	301	304	404	
				PAVEMENT REMOVED	EXCAVATION, NOT INCLUDING EMBANKMENT CONSTRUCTION	BITUMINOUS AGGREGATE BASE, AC-20	AGGREGATE BASE, AS PER PLAN	ASPHALT CONCRETE, AC-20 (DRIVEWAY)	
				SQ. YD.	CU. YD.	CU. YD.	CU. YD.	CU. YD.	
93+82	LT	R	CONC	2					
96+50	LT	R	AGGR		6	2	3	1	
			ASPH						
97+35	LT	R	AGGR		3		3		
98+15	RT	R	AGGR		6		6		
101+82	RT	R	AGGR		5		5		
TOTALS				2	20	2	17	1	

\* R-RESIDENTIAL C-COMMERCIAL

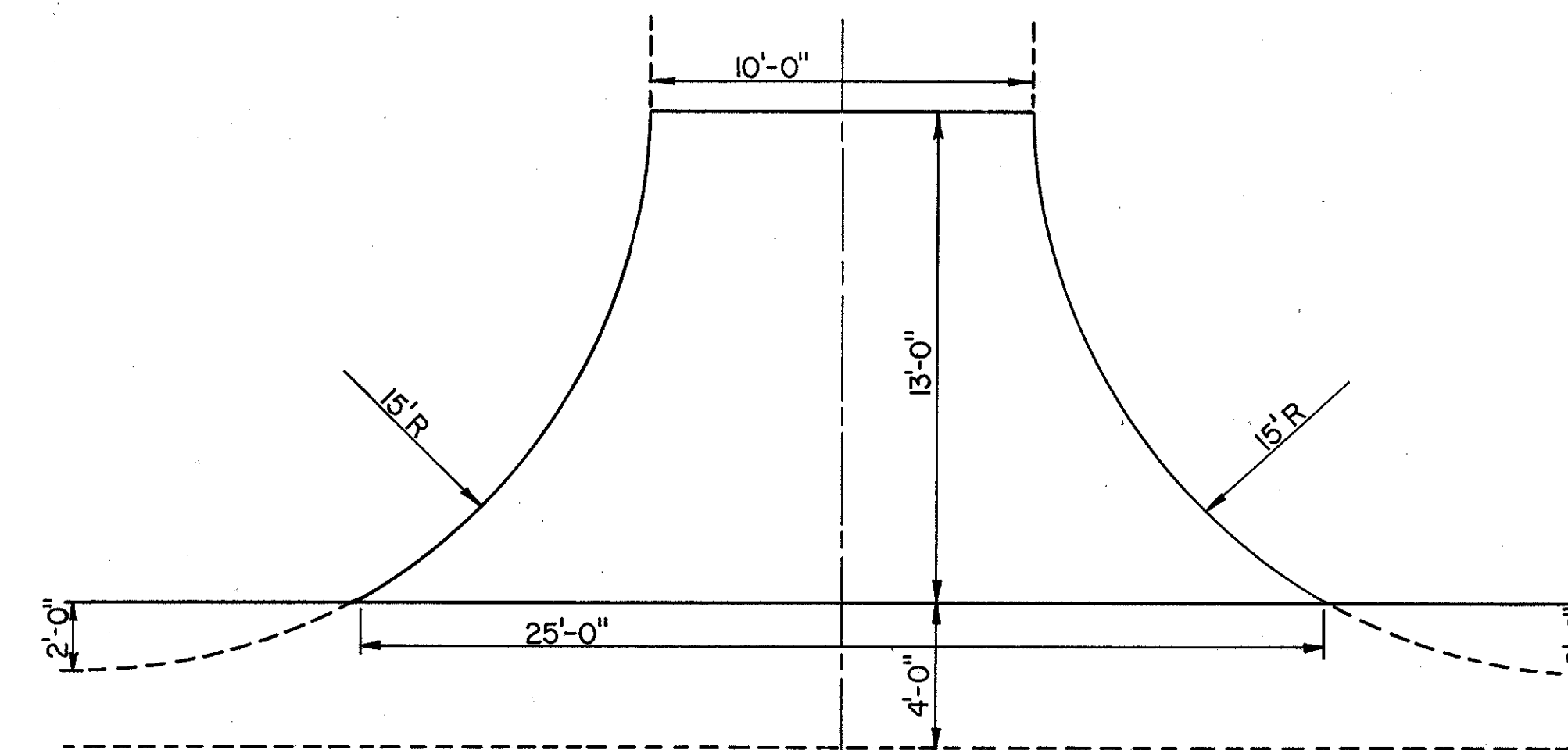
PROPOSED DRIVEWAYS

AGGREGATE: 8" 304-AGGREGATE BASE

ASPHALT CONCRETE: 1" 404-ASPHALT CONCRETE (DRIVEWAY)

4" 301-BITUMINOUS AGGREGATE BASE, AC-20; RT-II or RT-12

FOR DRIVEWAY PROFILES SEE SHEET NOS. 18, 19 & 20



STA. 102+82 DRIVEWAY (AGGREGATE)