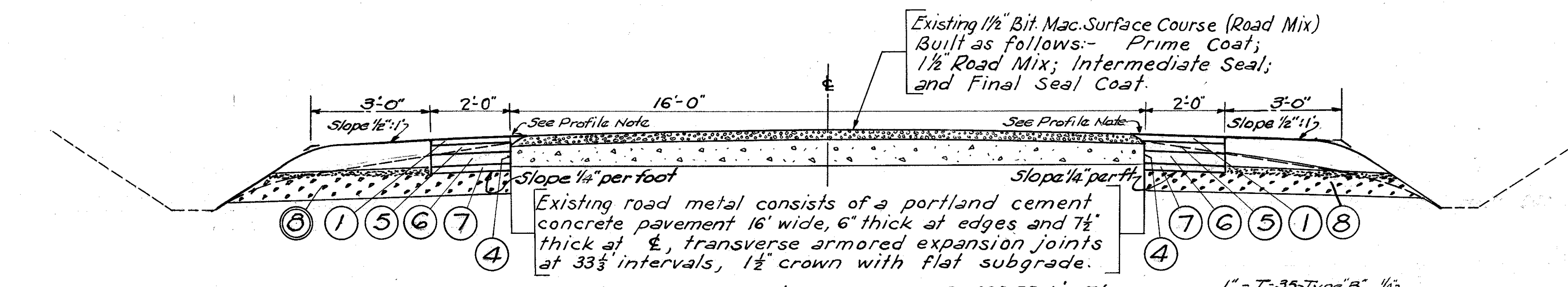


**ALIGNMENT & IMPROVEMENT**

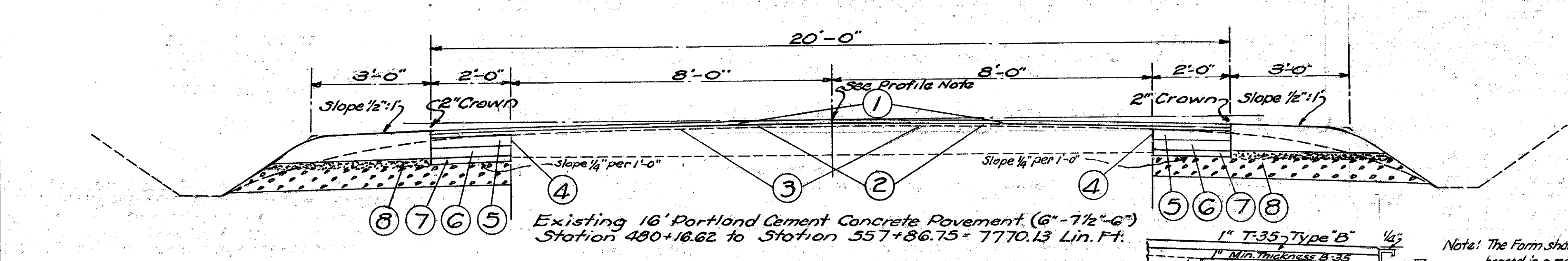
**TYPE T-35 WIDENING**



Note:- Widening shall be made on the inside of all curves.

**TYPICAL SECTION SECTIONS F & G**

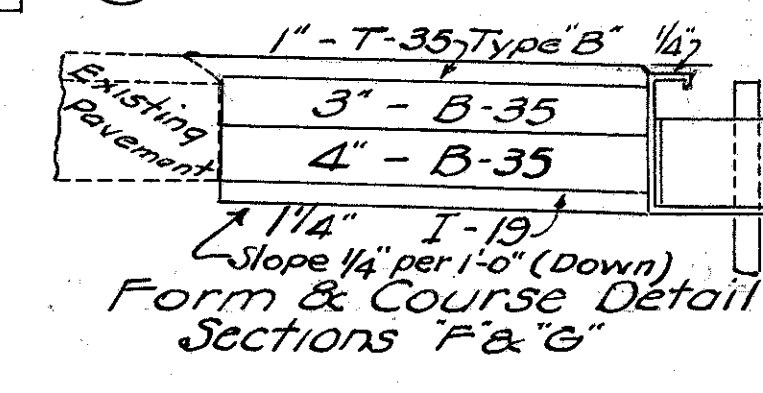
**TYPE T-35**



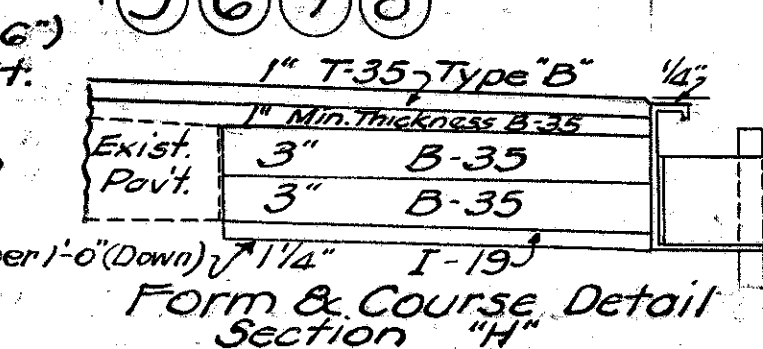
**TYPICAL SECTION SECTION H**

- ① ITEM T-35 1" Asphaltic Concrete Surface Course, Type "B"
- ② ITEM B-35 1" Minimum Thickness, Asphaltic Concrete Leveling Course.
- ③ ITEM T-30 Bituminous Prime Coat.
- ④ ITEM E-10 Sealing (only) of Edges of Existing Pavement using Bituminous Material Sec. M-5.12, AE-3, at rate of 15 gal. per sq. yd.
- ⑤ ITEM B-35 3" Asphaltic Concrete 2nd. Base Course
- ⑥ ITEM B-35 (For Section "F & G") 4" Asphaltic Concrete 1st. Base Course (For Section "H") 3" Asphaltic Concrete 1st. Base Course
- ⑦ ITEM I-19 1 1/4" Insulation Course.
- ⑧ ITEM I-9 10"x8" Stone Underdrains (French Drain) No. 2 (placed as directed by Engineer.)

Note: Asphalt Cement used on this project shall meet requirements of Sec. M-5.1, except that the penetration range shall be 70 to 80.



Note: The Form shall be braced in a manner to prevent lateral and vertical movement



Note: The Form shall be braced in a manner to prevent lateral and vertical movement.

