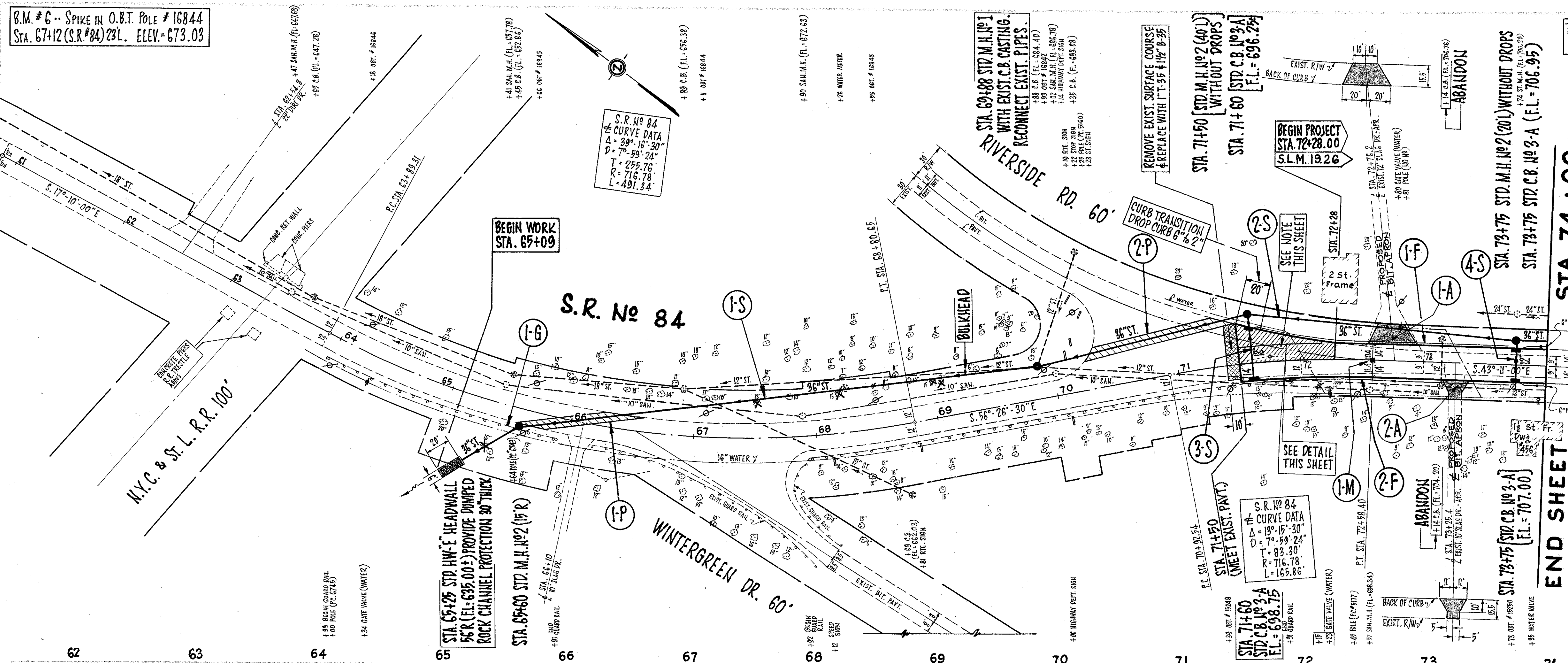
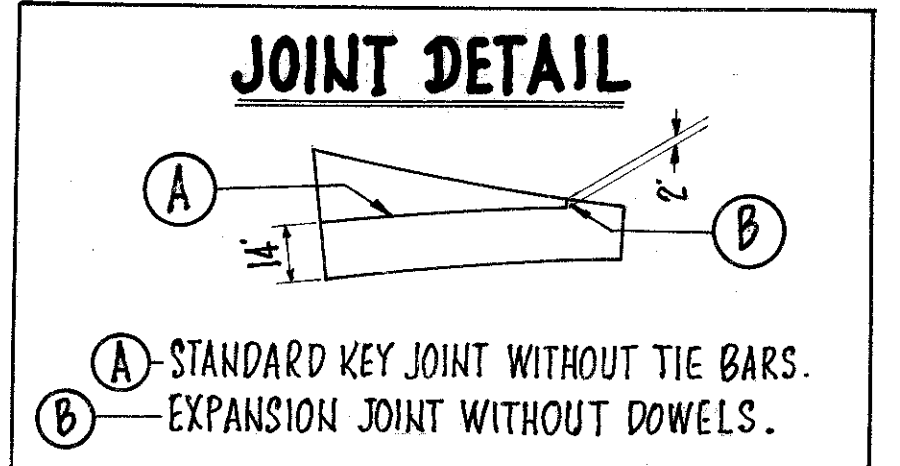


B.M. # 6 - SPIKE IN O.B.T. POLE # 16844
Sta. 67+12 (S.R.#84) 23' L. ELEV. = 673.03

T.P. # 3 - SPIKE IN O.B.T. POLE # 15249
Sta. 72+50 (S.R.#84) 17' R. ELEV. = 709.25

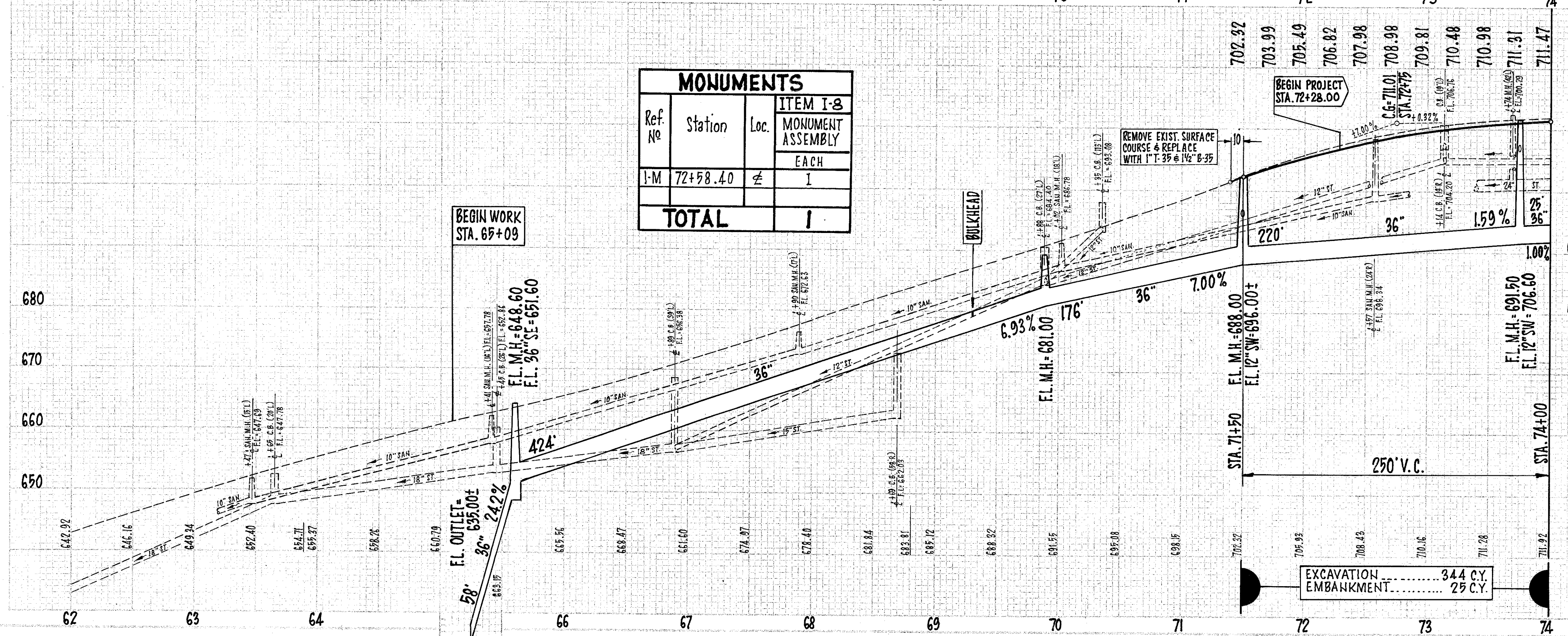
LAKE COUNTY
LAK-84-19.26

NOTE:
WARP PROPOSED PAVEMENT TO MEET EXISTING GUTTER GRADE RIVERSIDE RD.



MONUMENTS

Ref. No	Station	Loc.	ITEM I-8 MONUMENT ASSEMBLY
I-M	72+58.40	≠	1
TOTAL			1



PAVEMENT

Ref. No	Station	ITEM E-8		ITEM B-70		ITEM T-95		ITEM T-90	
		FROM	TO	SQ. YDS.	CU. YDS.	SQ. YDS.	CU. YDS.	SQ. YDS.	CU. YDS.
I-P	66+55	66+60	70	* 4.9	7				
2-P	70+25	71+50	110	* 7.7	11				
TOTAL			180	180	12.6	18			

* TO BE LAID IN (2) 1/4" COURSES.

UNDERDRAINS

Ref. No	Station	ITEM I-1		ITEM I-1	
		Class	Lin. Ft.	Class	Lin. Ft.
I-F	71+60	74+00	220	20	20
2-F	71+60	74+00	216	20	20
TOTAL			436	40	

STORM SEWERS

Ref. No	Station	ITEM I-1		ITEM I-8		ITEM I-10		ITEM I-15		ITEM I-16	
		Class	Lin. Ft.	Class	Lin. Ft.	Class	Lin. Ft.	Class	Lin. Ft.	Class	Lin. Ft.
I-S	65+10	69+88	58	424	176	245					
2-S	68+88	74+00									
3-S	71+50										
4-S	73+75										
I-G	65+45	65+70									
TOTAL		18	68	58	424	176	245	1	3	4	2

PLAN & PROFILE - S.R. No 84 - STA. 62+00 to STA. 74+00