

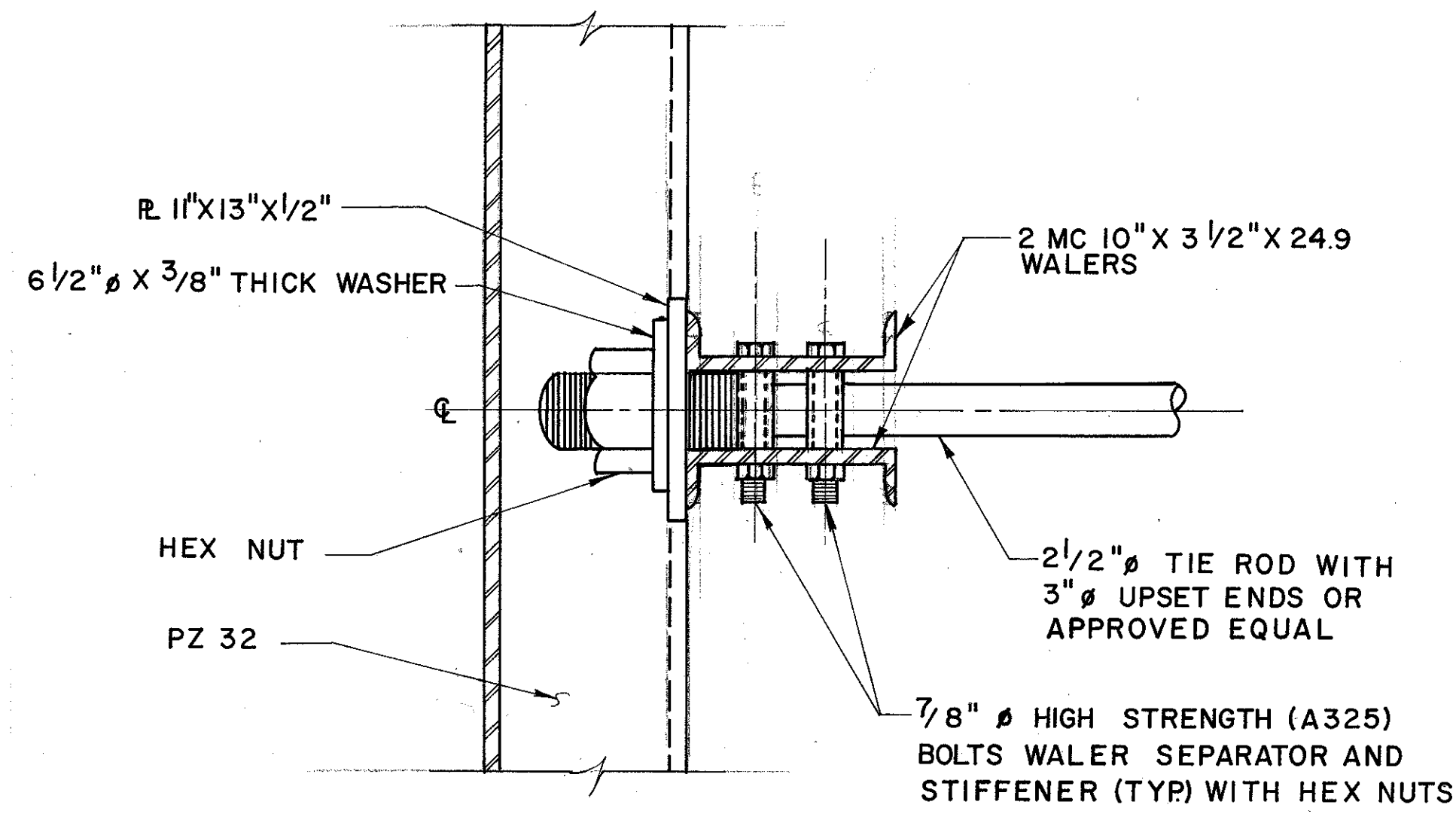
CALC.
BY
DATE
CHKD.
BY
DATE

LAK - 84-1888

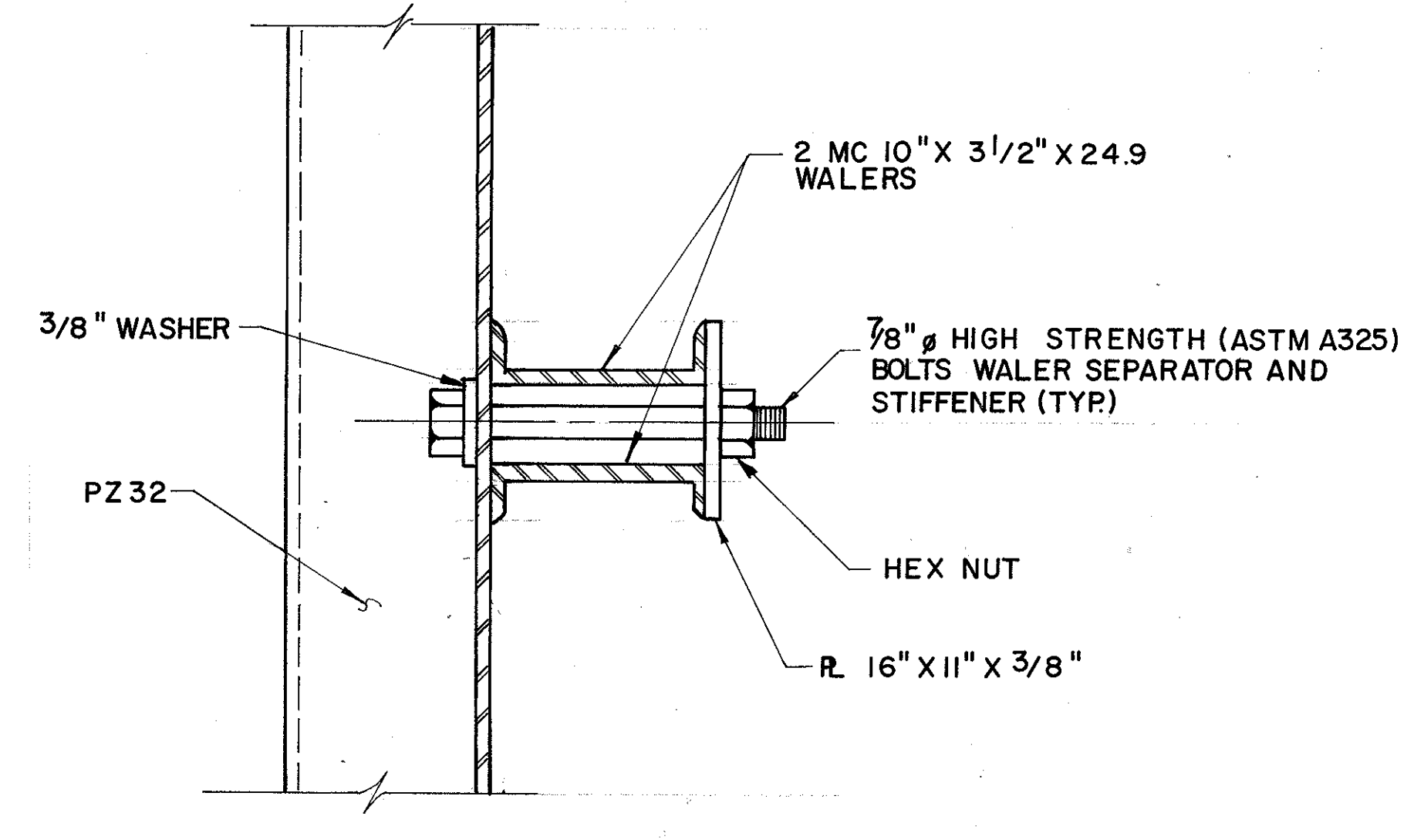
OHIO
FHWA
REGION

IOA
II

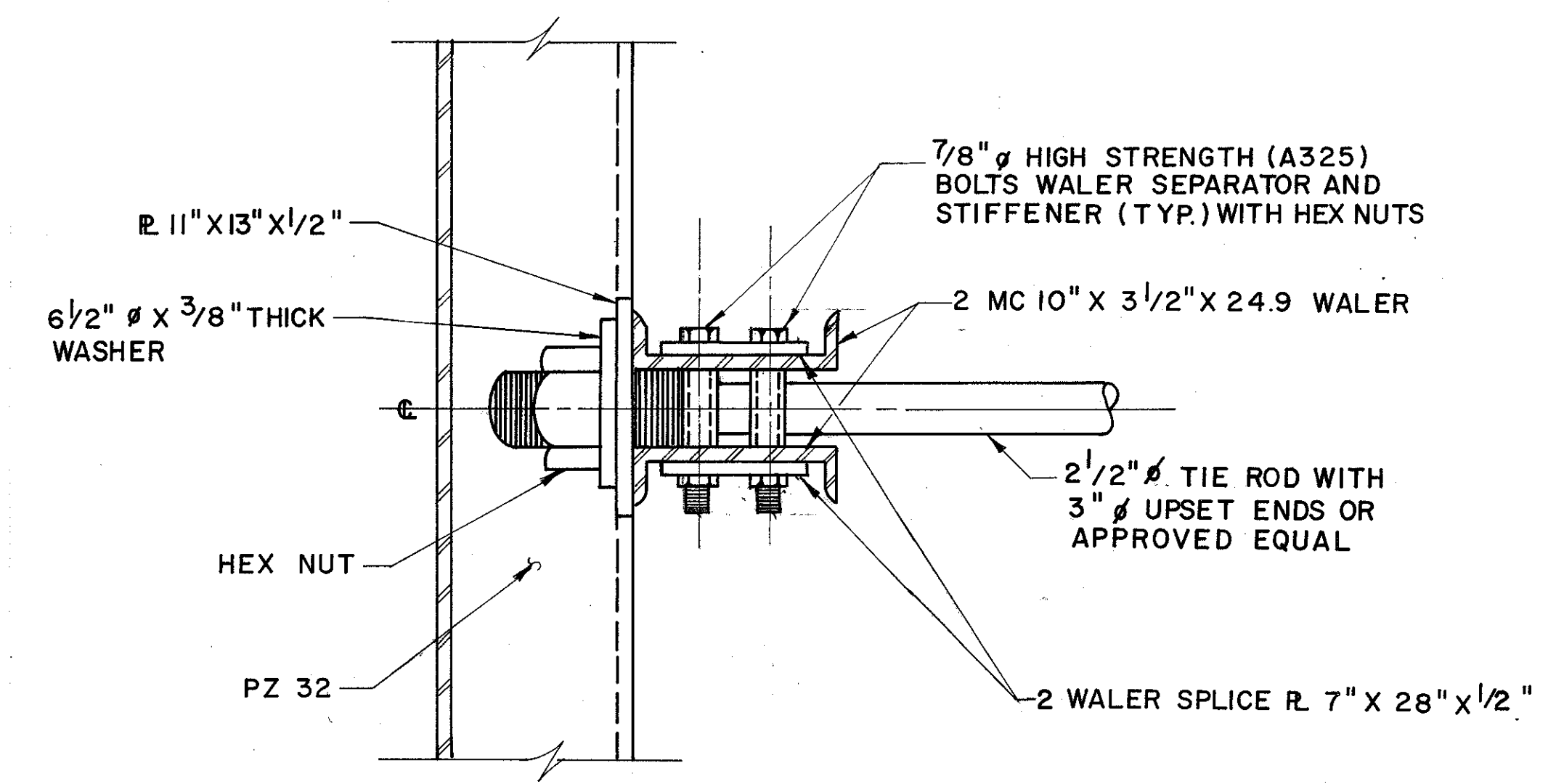
PLAN NO. BR-52-86



SECTION E-E



SECTION F-F



SECTION G-G