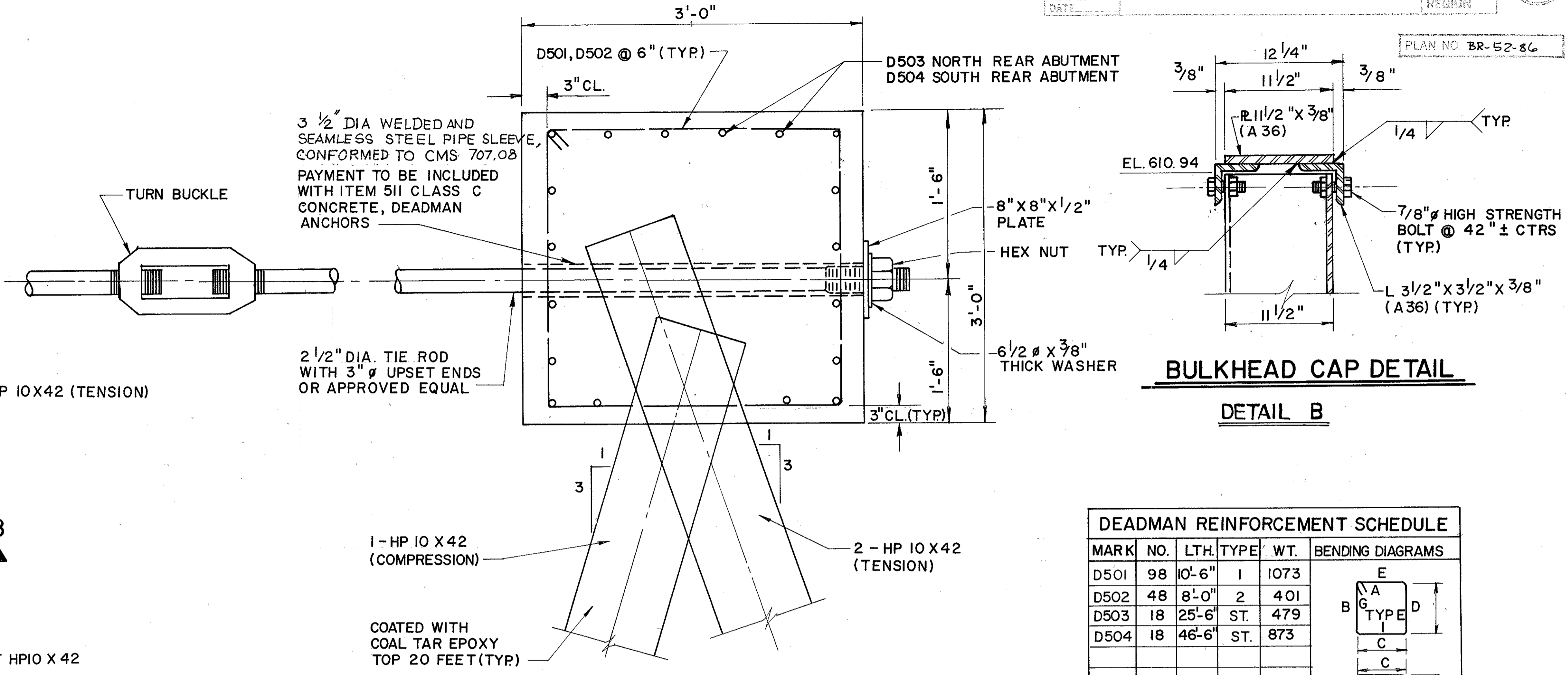
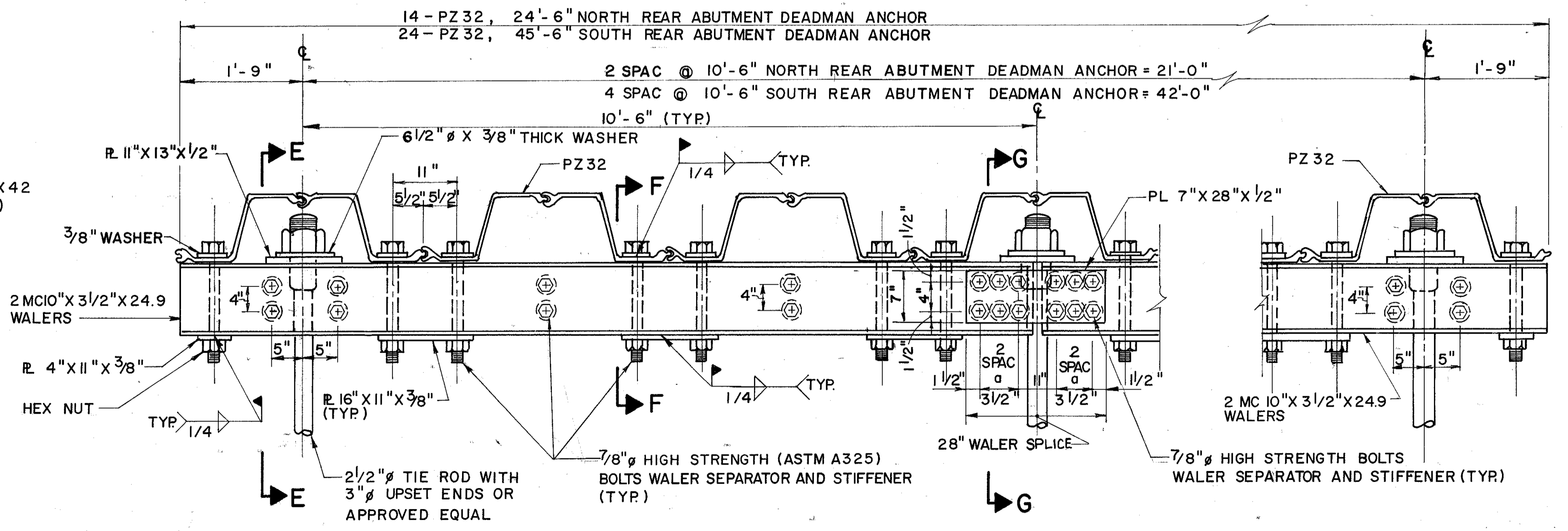


PLAN VIEW - NORTH REAR ABUTMENT DEADMAN REINFORCEMENT AND SOUTH REAR ABUTMENT DEADMAN ANCHOR REINFORCEMENT



**BULKHEAD CAP DETAIL
 DETAIL B**

MARK	NO.	LTH.	TYPE	WT.	BENDING DIAGRAMS
D501	98	10'-6"	1	1073	
D502	48	8'-0"	2	401	
D503	18	25'-6"	ST.	479	
D504	18	46'-6"	ST.	873	
				TOTAL	2826



PLAN VIEW AT WALER

FOR DETAILS SECTION E-E, F-F AND G-G SEE SHEET 10A/11

NOTE: REQUIRED REINFORCING BAR LAP LENGTHS OF D504 SHALL BE 30 BAR DIAMETERS MINIMUM