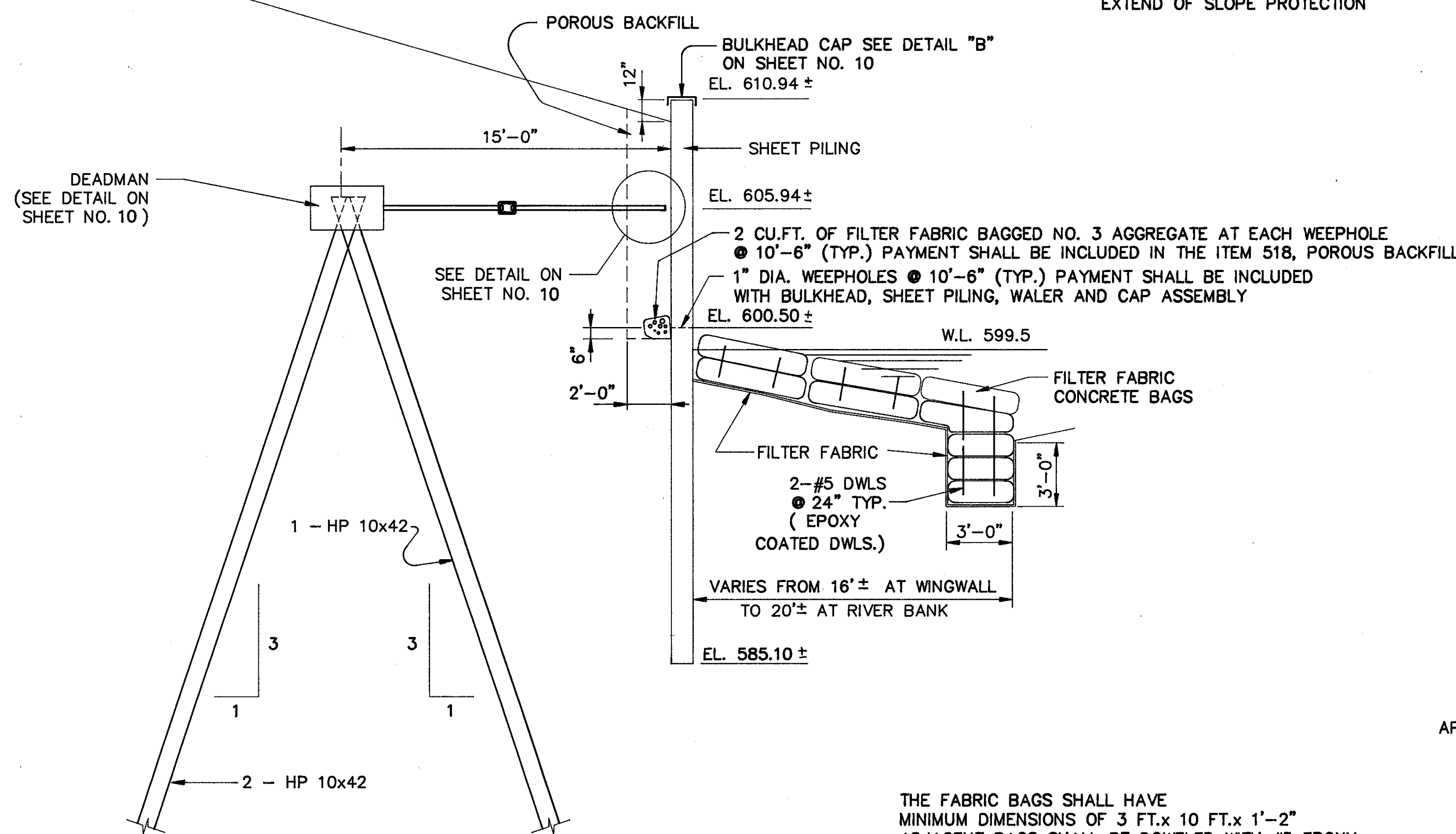


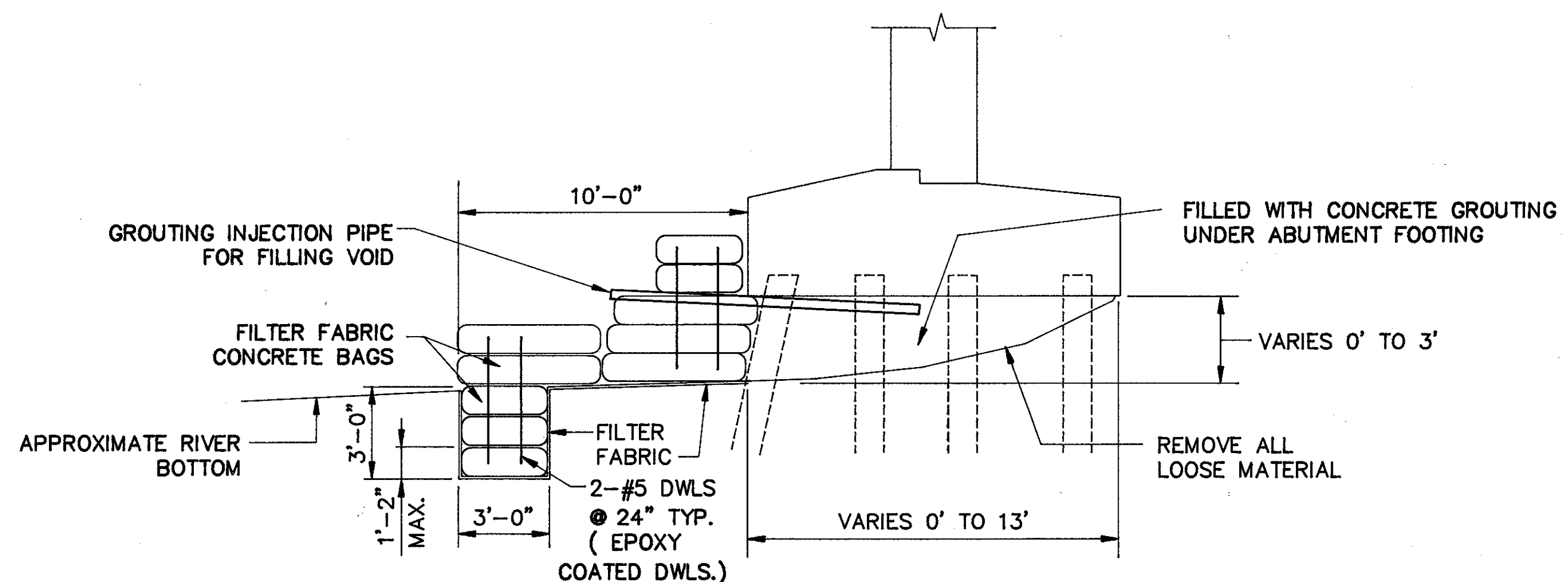
PLAN VIEW AT WING WALL AND ABUTMENT



SECTION A-A

THE FABRIC BAGS SHALL HAVE MINIMUM DIMENSIONS OF 3 FT.x 10 FT.x 1'-2" ADJACENT BAGS SHALL BE DOWELED WITH #5 EPOXY COATED BARS SPACED AT 2 FT. CENTERS IN BOTH DIRECTIONS.

TIEBACK DESIGN LOAD 7K/LIN.FT. OF SHEET PILING WALL @ ELEV. 605.94



TYPICAL SECTION AT WING WALL AND ABUTMENT