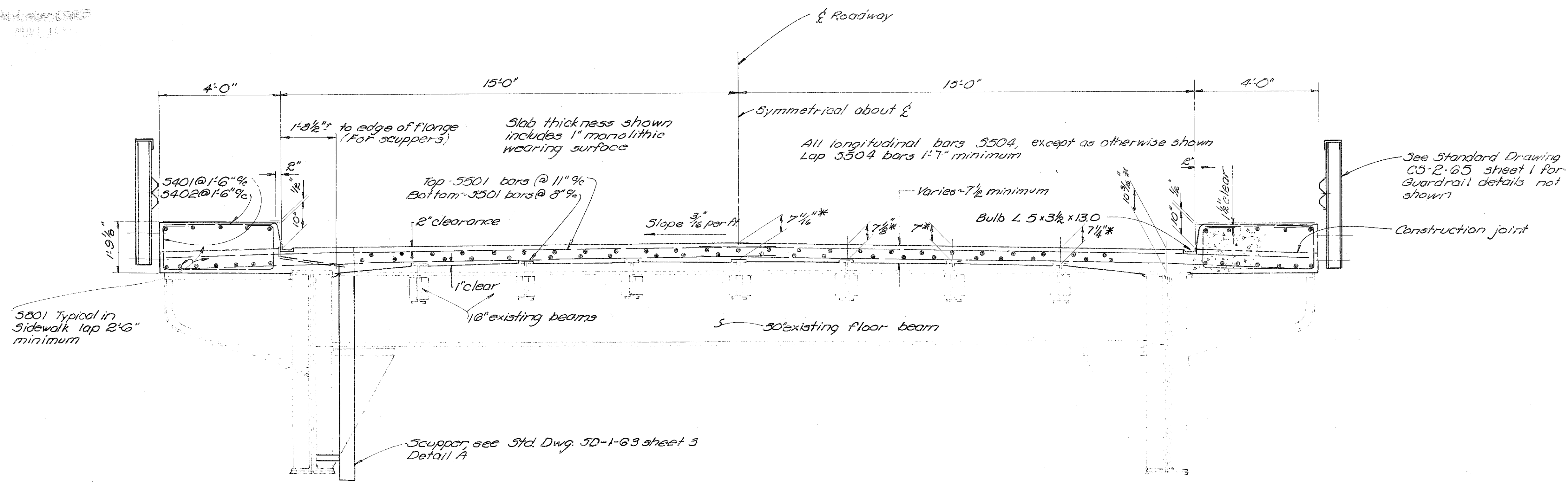


FED. RD. DIVISION	STATE	PROJECT
2	OHIO	

13
14

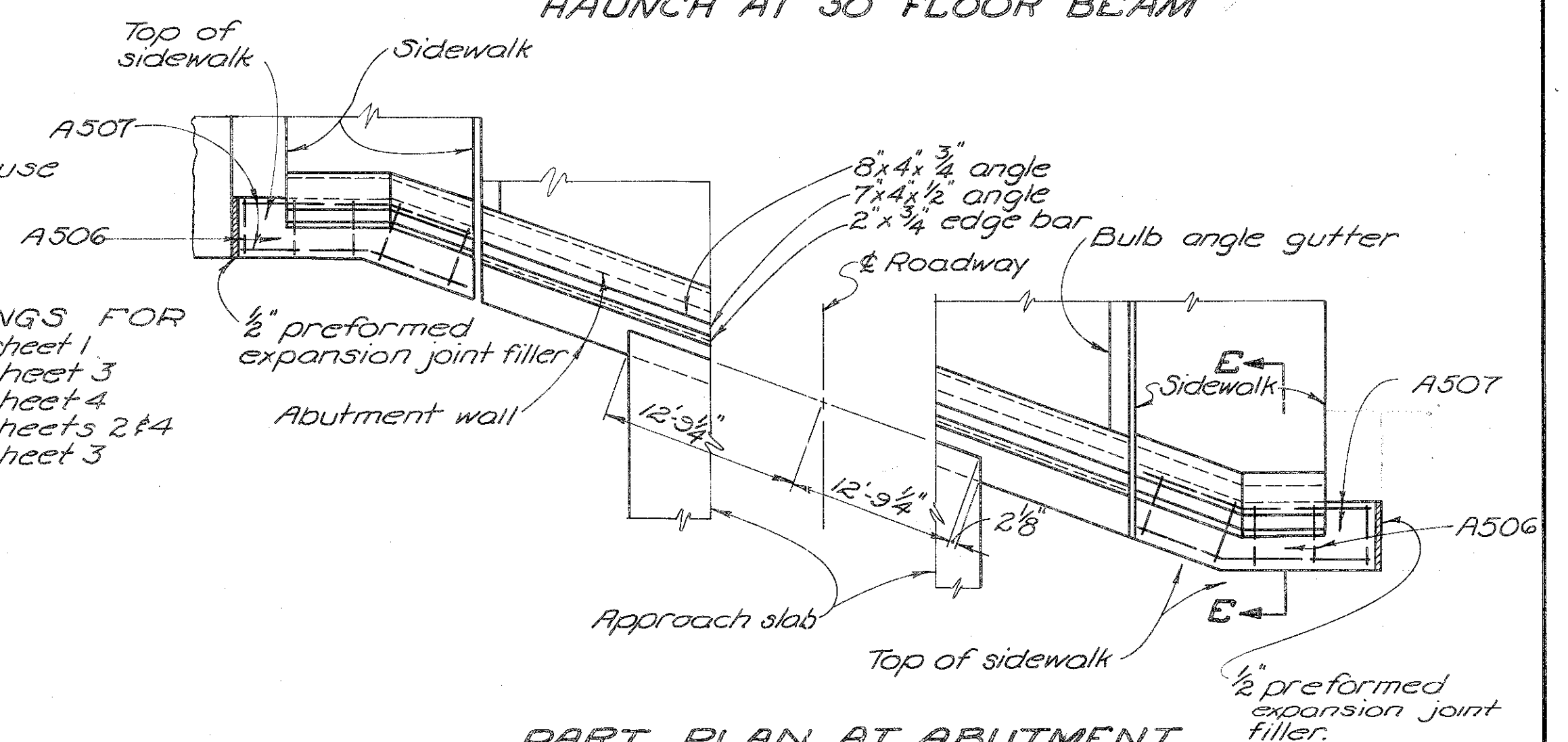
LAKE COUNTY
LAK-84-18.86



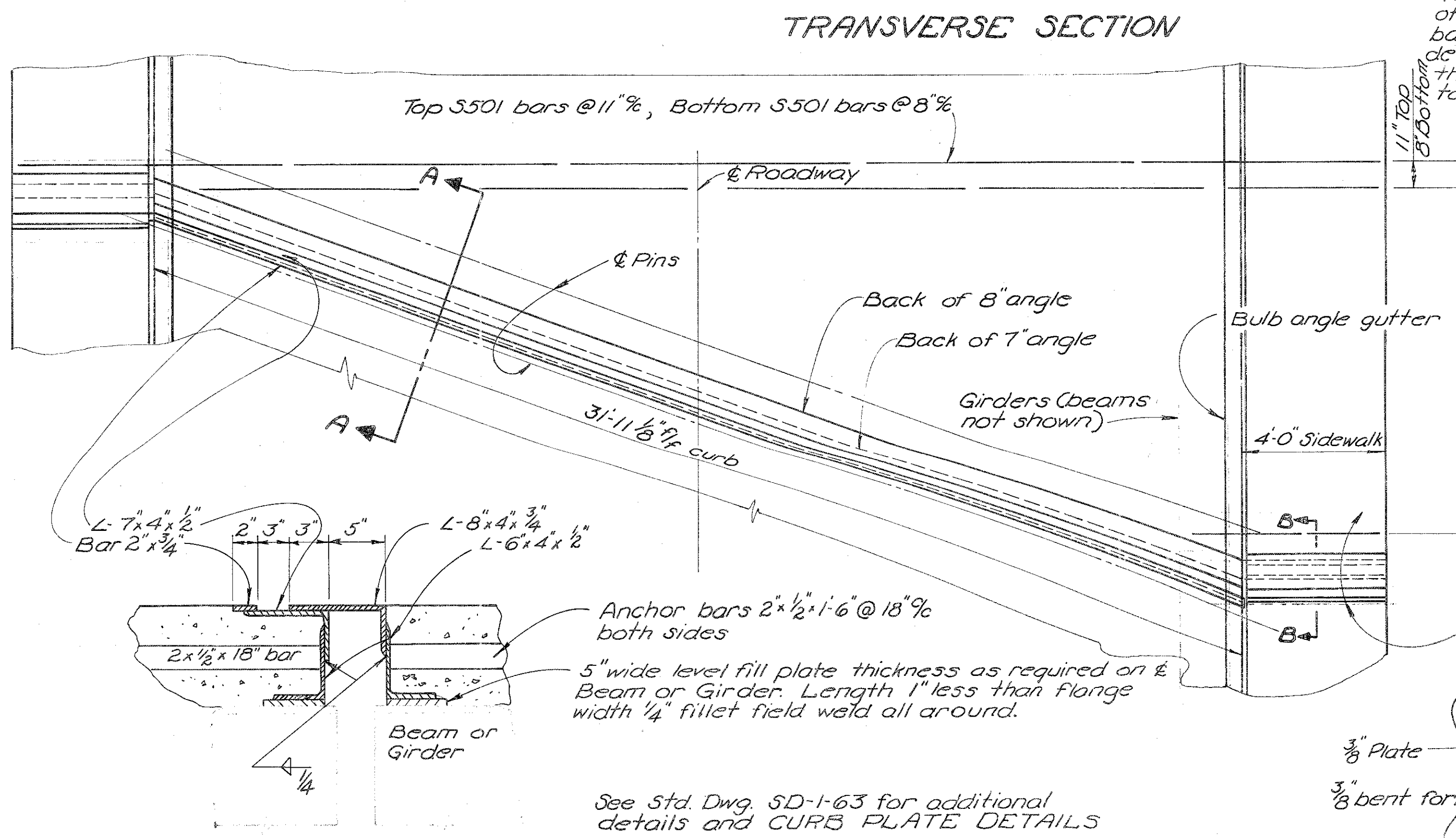
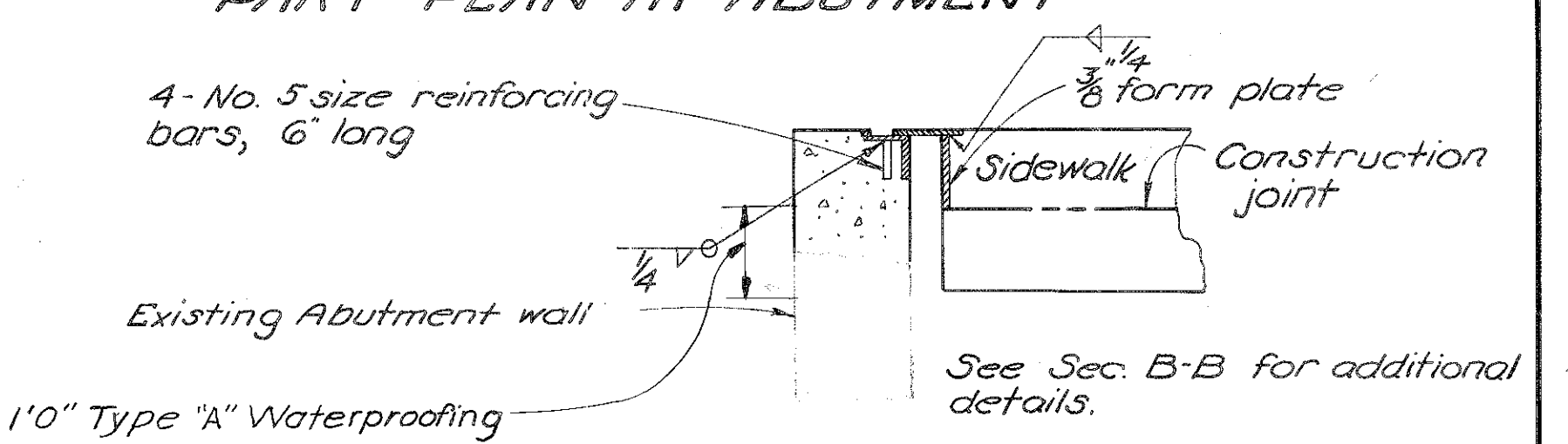
* These are the nominal dimensions. The quantity of deck concrete to be paid for shall be based on these dimensions, even though deviation from them may be necessary because the beams may not be exactly parallel to the finished grade.

SEE STANDARD DRAWINGS FOR
 GUARDRAIL - CS-2-65 sheet 1
 SCUPPERS - SD-1-63 sheet 3
 CURB PLATES - SD-1-63 sheet 4
 END DAMS - SD-1-63 sheets 2 & 4
 GUTTERS - SD-1-63 sheet 3

HAUNCH AT 30" FLOOR BEAM

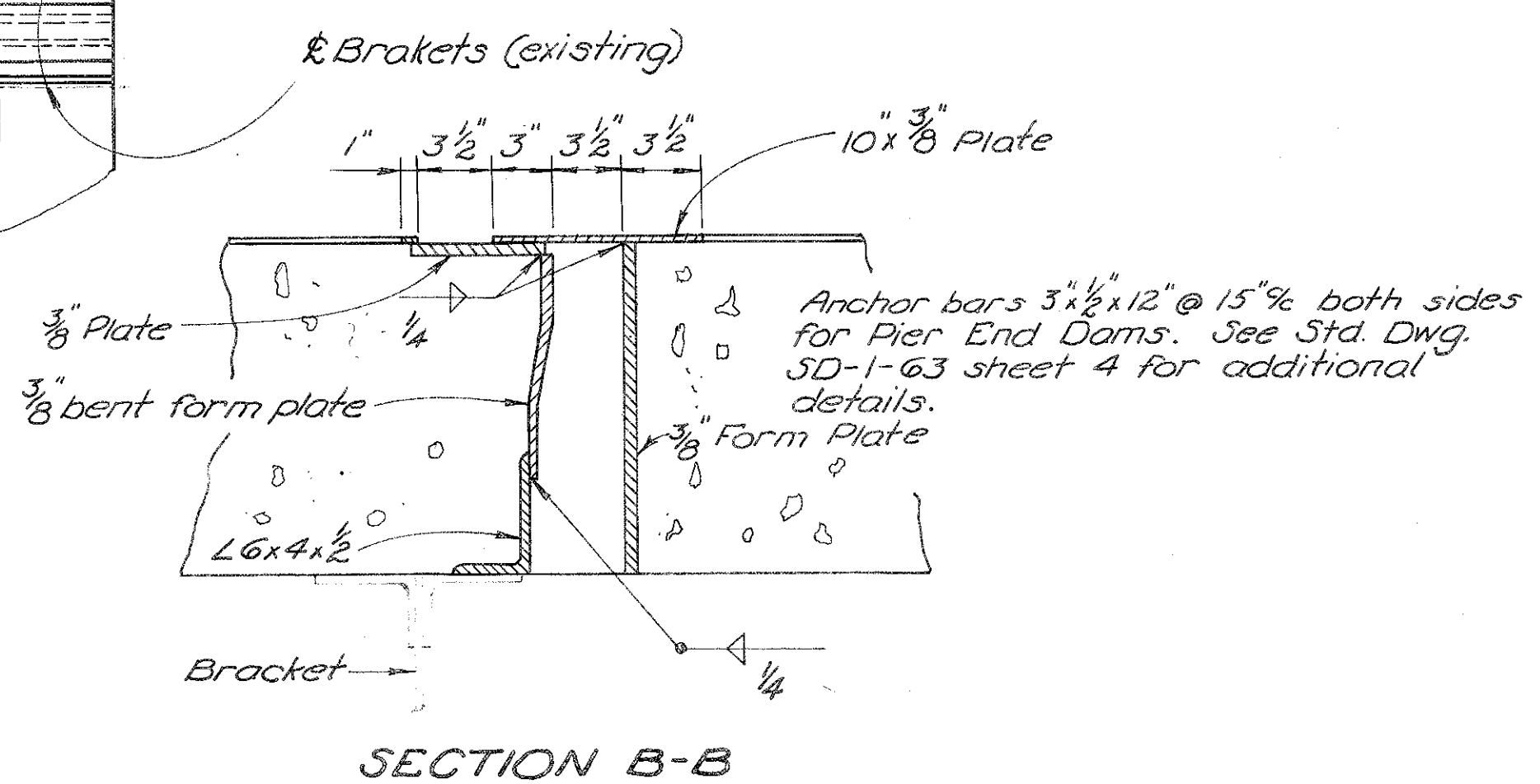


SECTION E-E



SECTION A-A

PART PLAN SHOWING END DAM AT PIERS
 For Abutment end dams see Std. Dwg. SD-1-63.



STATE OF OHIO DEPARTMENT OF HIGHWAYS DIVISION OF DESIGN AND CONSTRUCTION BUREAU OF BRIDGES						
SUPERSTRUCTURE DETAILS BRIDGE NO. LAK 84-1888						
LAKE COUNTY						
DESIGNED	DRAWN	TRACED	CHECKED	REVIEWED	DATE	REVISED
FPK	FPK	PK.I.	JDR.	BFG	8-19-65	