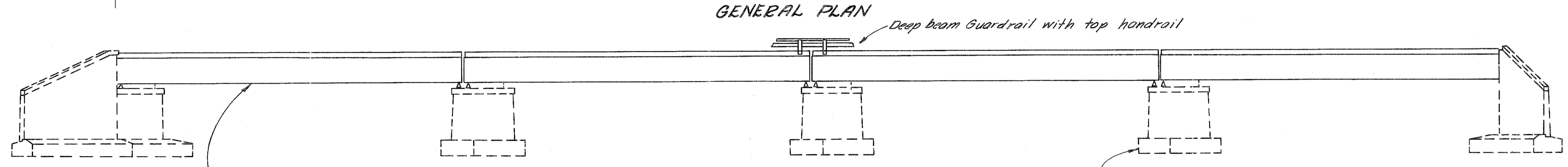
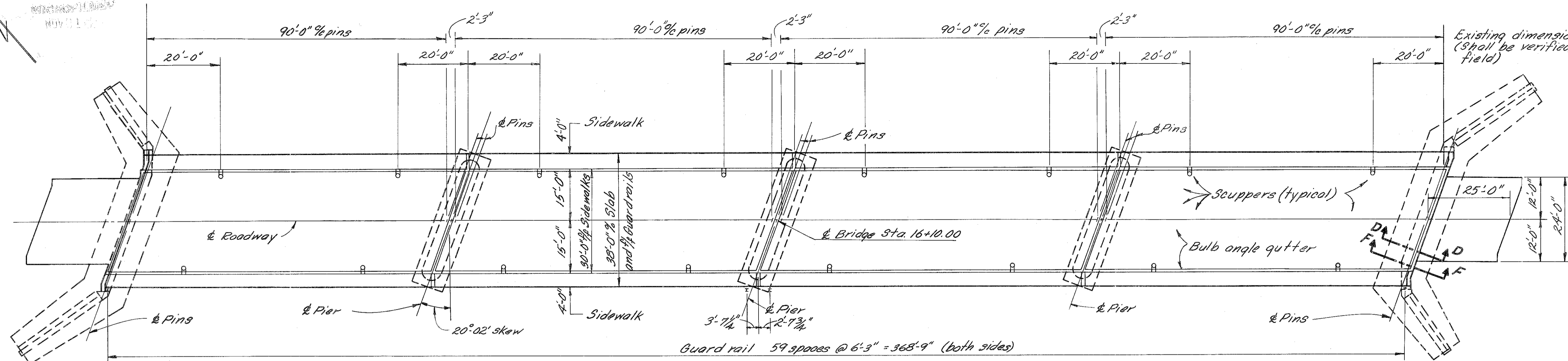


FED. NO. DIVISION	STATE	PROJECT
2	OHIO	

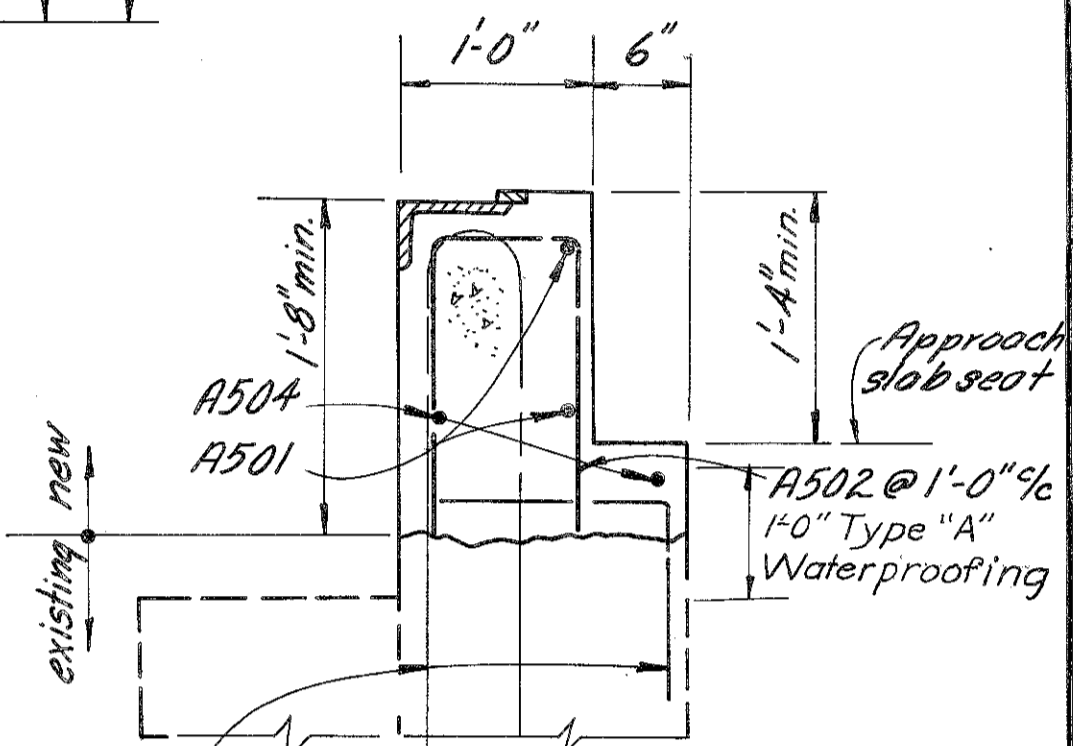
12
14

LAKE COUNTY
LAK-84-18.86



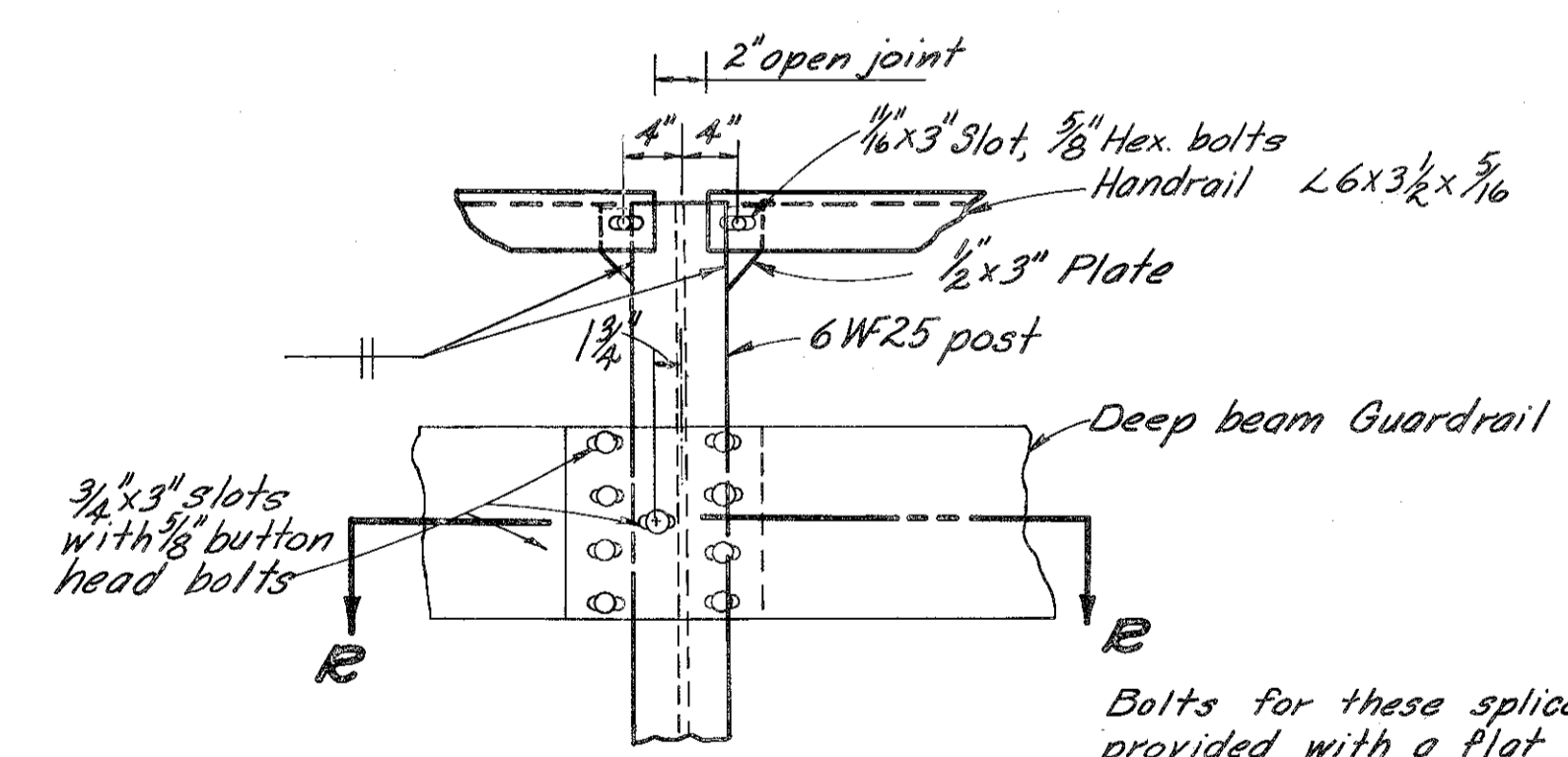
GENERAL PLAN

ELEVATION



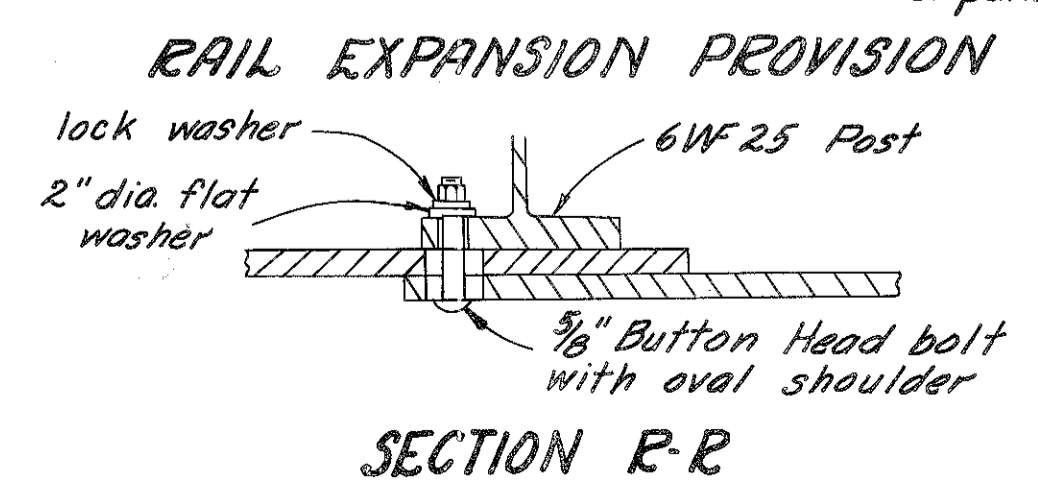
Existing bars to be cleaned and remain in place. Remove existing end dam.

SECTION D-D

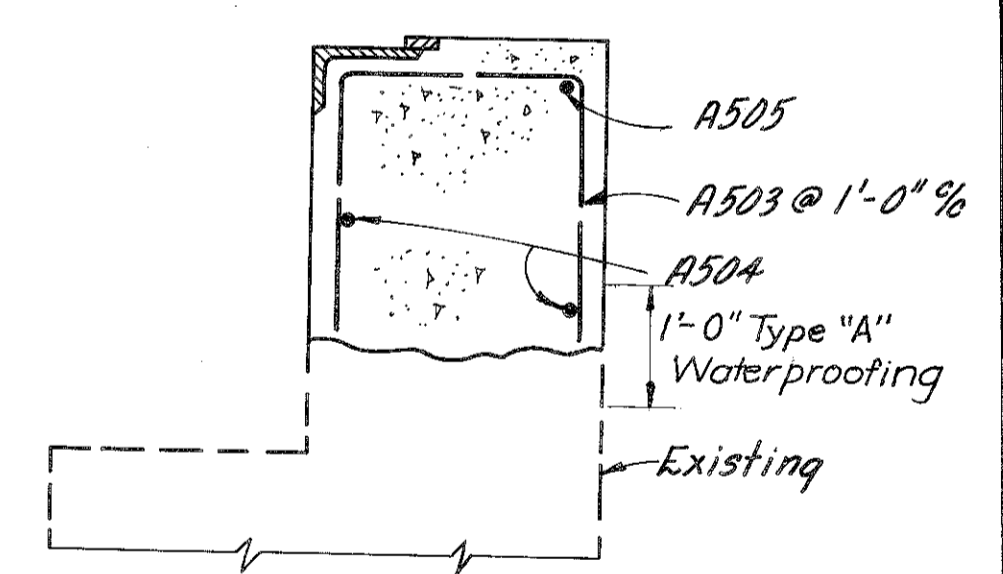


Bolts for these splices shall be provided with a flat washer, lock washer, and nut; tighten nuts, then back off 1/2 turn to provide for joint movement. Holes in post to be 1/16".

Place (1) expansion unit at nearest post to superstructure expansion dam. 5 units per side.



SECTION R-R



SECTION F-F

STATE OF OHIO DEPARTMENT OF HIGHWAYS DIVISION OF DESIGN AND CONSTRUCTION BUREAU OF BRIDGES						
GENERAL PLAN & ELEVATION BRIDGE NO. LAK-84-1888 OVER GRAND RIVER LAKE COUNTY						
DESIGNED	DRAWN	TRACED	CHECKED	REVIEWED	DATE	REVISED
FPK	FPK		JDR	BFG	8-19-65	