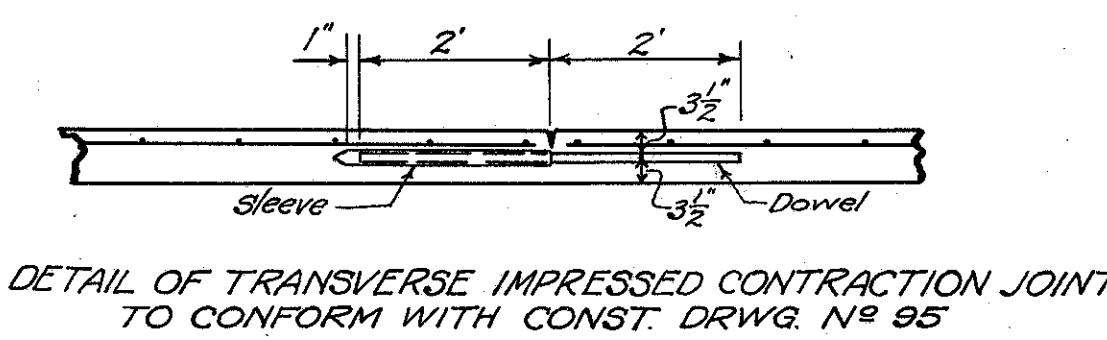
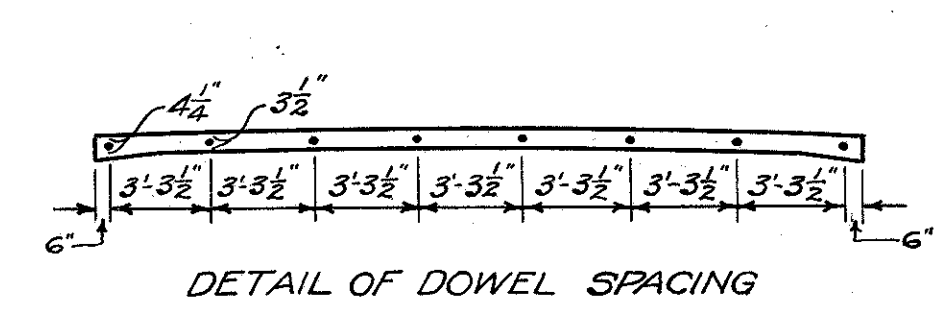
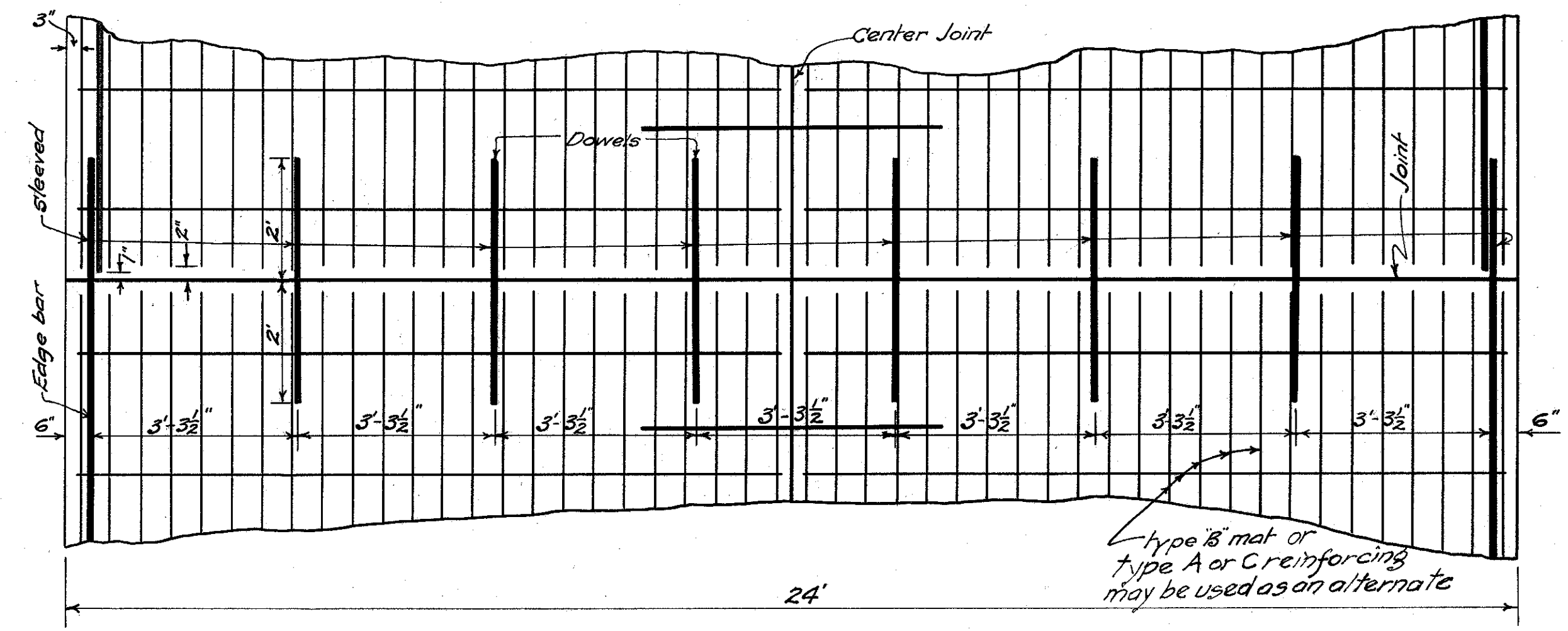
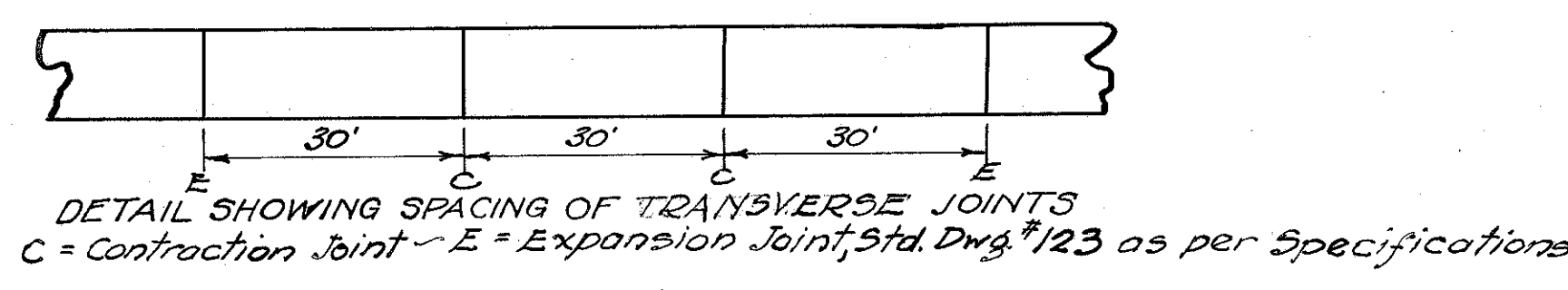


All curves to be superelevated as shown in tables on plan sheets  
 To be used from Sta. 0+37.65 to 14+24.23 and from Sta. 17+95.77 to 35+50



OK  
 J.H.P.  
 6/23/32



PLAN VIEW AT TRANSVERSE JOINT

All dowels and edge bars shall be supported by means of chairs of an approved type. All dowel and edge bars to be 3/4" smooth bars with neat fitting sliding sleeves at one end. All joints to be edged with a beading tool of 1/2" radius.

Pavement to be constructed by building one half at a time in order to maintain two way traffic. Contractor to provide for and maintain traffic at all times over existing roadbed or portions of newly constructed pavement. Contractor to erect and maintain lights, signs and barricades and to provide an ample number of watchmen at all times. The Contractor shall maintain two way traffic on this project at all times and protect his work and traffic at all times with at least two watchmen. He shall also maintain lights not to exceed 300 feet apart along the work and all other necessary lights, signs and barricades required to insure proper protection at all times.

The aggregates to be used on this project shall come from a plant erected at the sight of the material deposits from which the bidder proposes to furnish this material and producing aggregates prior to the date of receiving bids on this contract and such plant shall be equipped and the deposit be of such nature that the aggregates can be furnished in a satisfactory manner both as to quality and quantity.