

SEE SHT. NO. 34

SEE SHEET NO. 29

LAK 84 - 17.20

BEGIN SHEET STA. 532+50

PROPOSED GRADE	716.83	716.65	716.42	716.27	716.21	716.24	716.27	716.33	716.53	716.73	716.10
730											730
725											725
720											720
715											715
710											710
705											705
700											700
695											695
EXISTING GRADES	697.10	707.17	716.94	716.94	717.91	716.82	716.56	716.35	716.10		

250' VERTICAL CURVE
DESIGN SPEED = 46 M.P.H.
PVI STA. 532+60 ELEV. 715.77
SSD =
EXCEEDS DESIGN SPEED

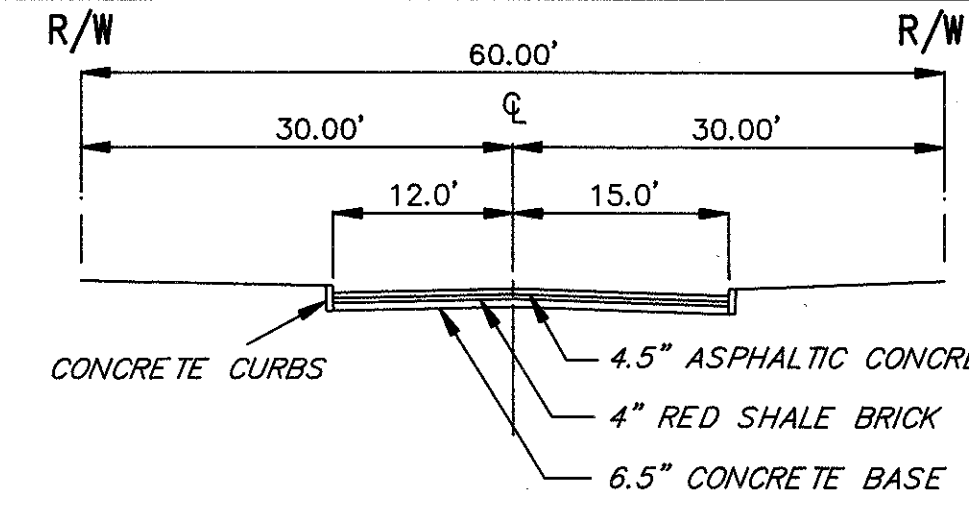
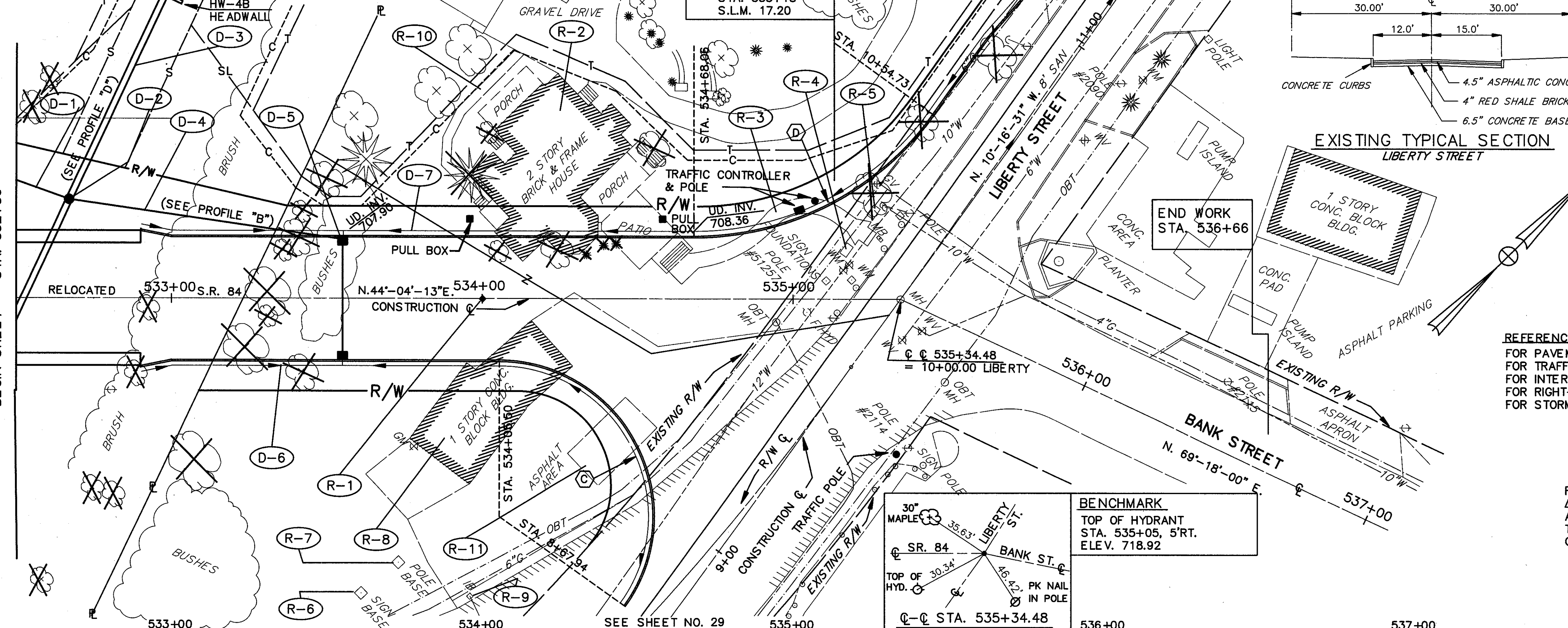
PROPOSED Q GRADE
GR. = +0.40%

EXISTING GRADE

MEET EXISTING

EXCAVATION 100 C.Y.
EMBANKMENT 4545 C.Y.

EXCAVATION 661 C.Y.
EMBANKMENT 325 C.Y.



REFERENCE DRAWINGS

	SHT NO.
FOR PAVEMENT CROSS-SECTIONS	26-28
FOR TRAFFIC CONTROL PLANS	43-45
FOR INTERSECTION GRADING	29
FOR RIGHT-OF-WAY PLANS	46-53
FOR STORM SEWER PROFILES	35

CURVE DATA

D	C
R = 95.00'	R = 50.00'
Δ = 54°20'44"	Δ = 125°39'16"
A = 90.11'	A = 109.65'
T = 48.77'	T = 97.40'
C = 86.77'	C = 88.96'

ROADWAY

REF.	LOCATION						
R-1	STA. 534+00						
R-2	STA. 534+25						
R-3	STA. 534+65	12LT. TO 535+23.21LT.					
R-4	STA. 535+17	17LT.					
R-5	STA. 535+26	26LT.					
R-6	STA. 535+60	95RT.					
R-7	STA. 533+73	85RT.					
R-8	STA. 534+00	RT.					
R-9	STA. 533+90	50LT.					
R-11	STA. 534+41	45RT.					
TOTALS							38

STP	STP	STP	STP	STP	STP	STP	STP	STP	STP	STP	STP	STP	STP											
603	603	603	604	603	603	603	604	603	603	604	603	604	603											
6"	6"	6"	CONCRETE MASONRY	12"	30"	CATCH BASIN	6"	6"	6"	CONCRETE MASONRY	12"	30"	6"											
CONDUIT	UNCLASSIFIED PIPE UNDERDRAIN	SHALLOW PIPE UNDERDRAIN	MANHOLE STANDARD NO. 3	CONDUIT TYPE "B"	CONDUIT TYPE "A" 2000 D-LOAD	STANDARD NO.3A	CONDUIT TYPE "F" 707.17 NUMBER ASTM 3034 SER 35, OR 32 321	UNCLASSIFIED PIPE UNDERDRAIN	SHALLOW PIPE UNDERDRAIN	CONCRETE MASONRY	MANHOLE STANDARD NO. 3	CONDUIT TYPE "B"	CONDUIT TYPE "A" 2000 D-LOAD											
40	138	225	1	146	112	2	112	138	225	1	146	112	40											
TOTALS												138	225	1	146	112	2	112	138	225	1	146	112	40

DRAINAGE

REF.	LOCATION				
D-1	STA. 532+50	38LT. TO 532+67	32LT.		
D-2	STA. 532+67	32LT.			
D-3	STA. 532+50	5RT. TO 532+94	99LT.		
D-4	STA. 532+75	30LT. TO 533+65	20LT.		
D-5	STA. 533+55	20' LT. & RT.			
D-6	STA. 532+90	TO 534+45	RT.		
D-7	STA. 532+90	TO 534+68	LT.		