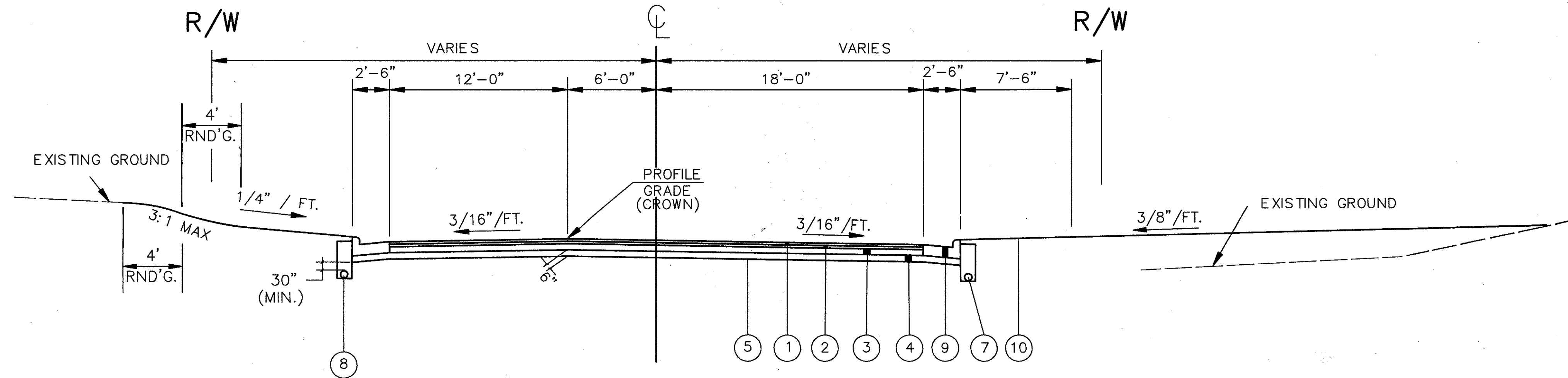


TYPICAL SECTIONS

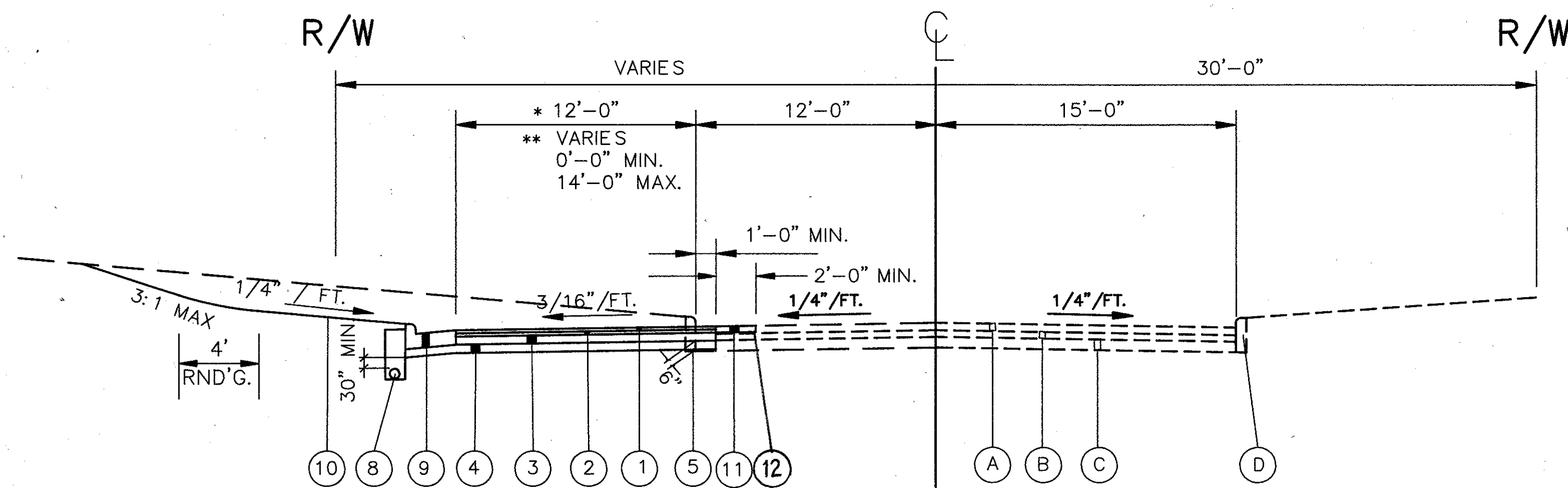


SCALE
TYPE 404 ON 301



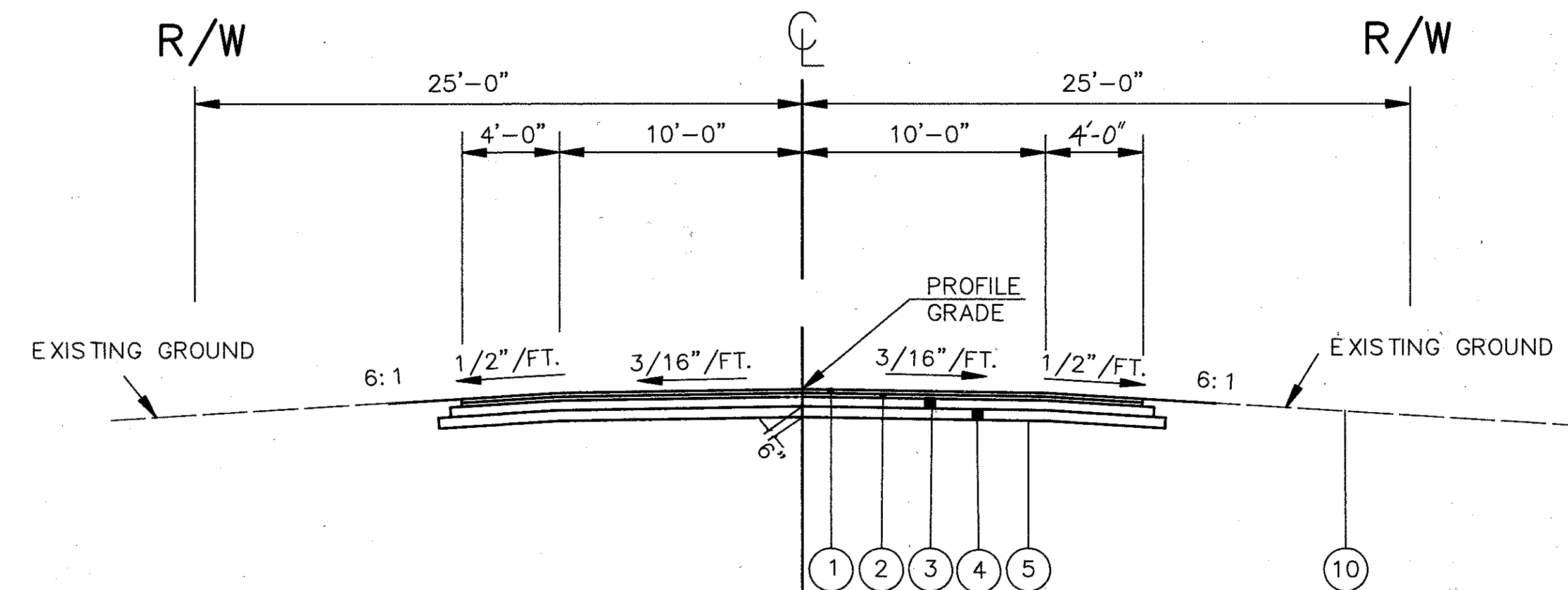
STATE ROUTE 84
NORMAL SECTION "C"
STA. 532+90 TO 535+18 = 228 LIN.FT.

- LEGEND
- (A) 4.5" ASPHALTIC CONCRETE
 - (B) 4" RED SHALE BRICK
 - (C) 6.5" CONCRETE BASE
 - (D) CONCRETE CURBS



NORMAL SECTION "D"
LIBERTY STREET

- * STA. 10+54.73 TO 10+85 = 30.27 LIN.FT.
 - ** STA. 10+85 TO 12+25 = 140.00 LIN.FT.
 - ** STA. 8+15 TO 8+67.94 = 52.94 LIN.FT.
- 223.21 LIN.FT.



NORMAL SECTION "E"
TUCKMERE STREET

STA. 10+16 TO 10+73 = 57 LIN.FT.