

MICROFILMED
APR 20 1984

DRIVEWAY DETAILS

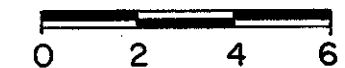
COMPUTED BY: D.A.S. 4/81
CHECKED BY: G.S. 5/81

FHWA REGION	STATE	PROJECT
5	OHIO	

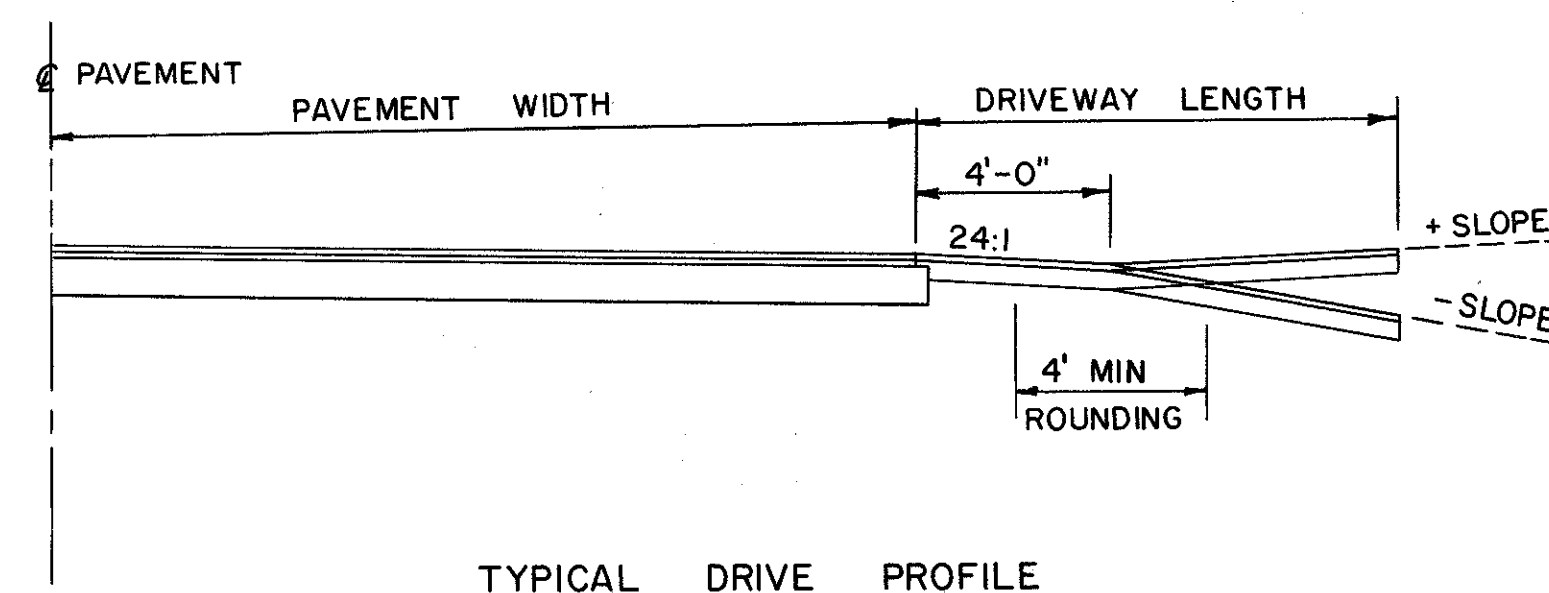
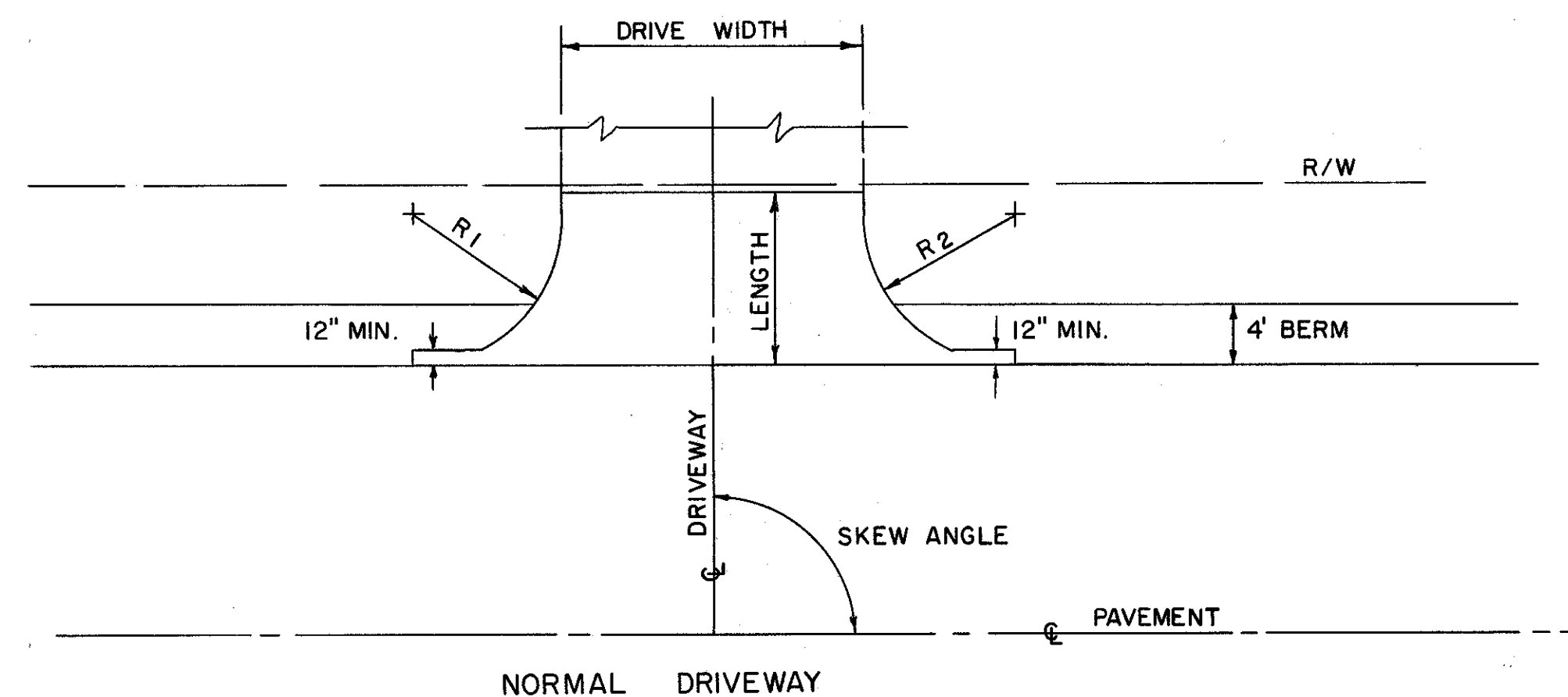
17
27

LAKE COUNTY
LAK-84-14.48

SCALE IN FEET



NOTE: SEE SHEET No. 16 FOR DRIVEWAY PROFILES.



DRIVE COMPOSITIONS

COMMERCIAL	RESIDENTIAL
1"-ITEM 404	1"-ITEM 404
5"-ITEM 301	4"-ITEM 301

DRIVEWAY QUANTITIES

STATIONS	SIDE	DRIVE USE	EXISTING TYPE	DIMENSIONS					EXCAVATION NOT INCLUDING EMBANK. CONSTR.	203 EMBANKMENT	203	404 ASPHALT CONCRETE AC-20 (DRIVES)	301 BITUMINOUS AGGREGATE BASE	REMARKS
				LENGTH	WIDTH	R1	R2	SKEW ANGLE						
SR 84:									C. Y.	C. Y.	C. Y.	C. Y.		
372 +19	LT.	COM.	ASPHALT	4'	26'	—	—	—	—	—	0.3	1.6	REPLACE BERM AREA	
375 +50	RT.	COM.	EARTHEN	15'	30'	12'	12'	90°	1	19	1.6	8.1		
376 +80	RT.	COM.	ASPHALT	15'	35'	12'	12'	90°	1	25	1.8	9.2		
378 +75	RT.	COM.	ASPHALT	15'	35'	12'	12'	90°	1	9	1.8	9.2		
379 +08	LT.	RES.	GRAVEL	11'	26'	11'	11'	90°	3	4	1.1	4.3		
379 +47	RT.	COM.	GRAVEL	11'	20'	12'	11'	90°	1	6	0.9	4.4		
RELOC. JOHNNYCAKE:														
95 +49	RT.	COM.	ASPHALT	15'	17'	11'	14'	90°	1	5	1.0	5.1		
95 +96	LT.	RES.	GRAVEL	15'	13'	15'	15'	90°	4	—	0.9	3.7		
96 +90	LT.	RES.	GRAVEL	31'	19'	15'	17'	90°	10	—	2.2	8.8		
TOTALS									22	68	11.6	54.4		