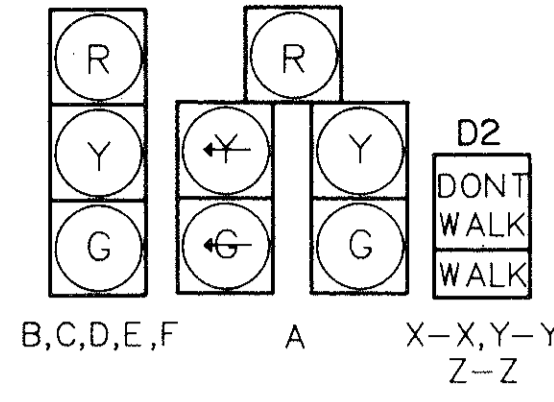


SIGNAL HEAD	Ø1		Ø2		Ø3		FLASH	DWELL
	R/W	CLEAR	R/W	CLEAR	R/W	CLEAR		
A	G	G	G	G	Y	R	R	Y
B	G	G	G	G	Y	R	R	Y
C	G	G	Y	R	R	R	R	Y
D	G	G	Y	R	R	R	R	Y
E	R	R	R	R	R	G	Y	R
F	R	R	R	R	R	G	Y	R
X-X	W	FDW	DW	DW	DW	DW	DW	OUT DW
Y-Y	W	FDW	DW	DW	DW	DW	DW	OUT DW
Z-Z	DW	DW	DW	DW	DW	W	FDW	DW

- 1.) Y IF PHASE Ø3 NEXT 3.) IF PHASE Ø1 NEXT
 2.) R IF PHASE Ø3 NEXT 4.) G IF PHASE Ø1 NEXT
- SIGNAL SEQUENCE CHART**

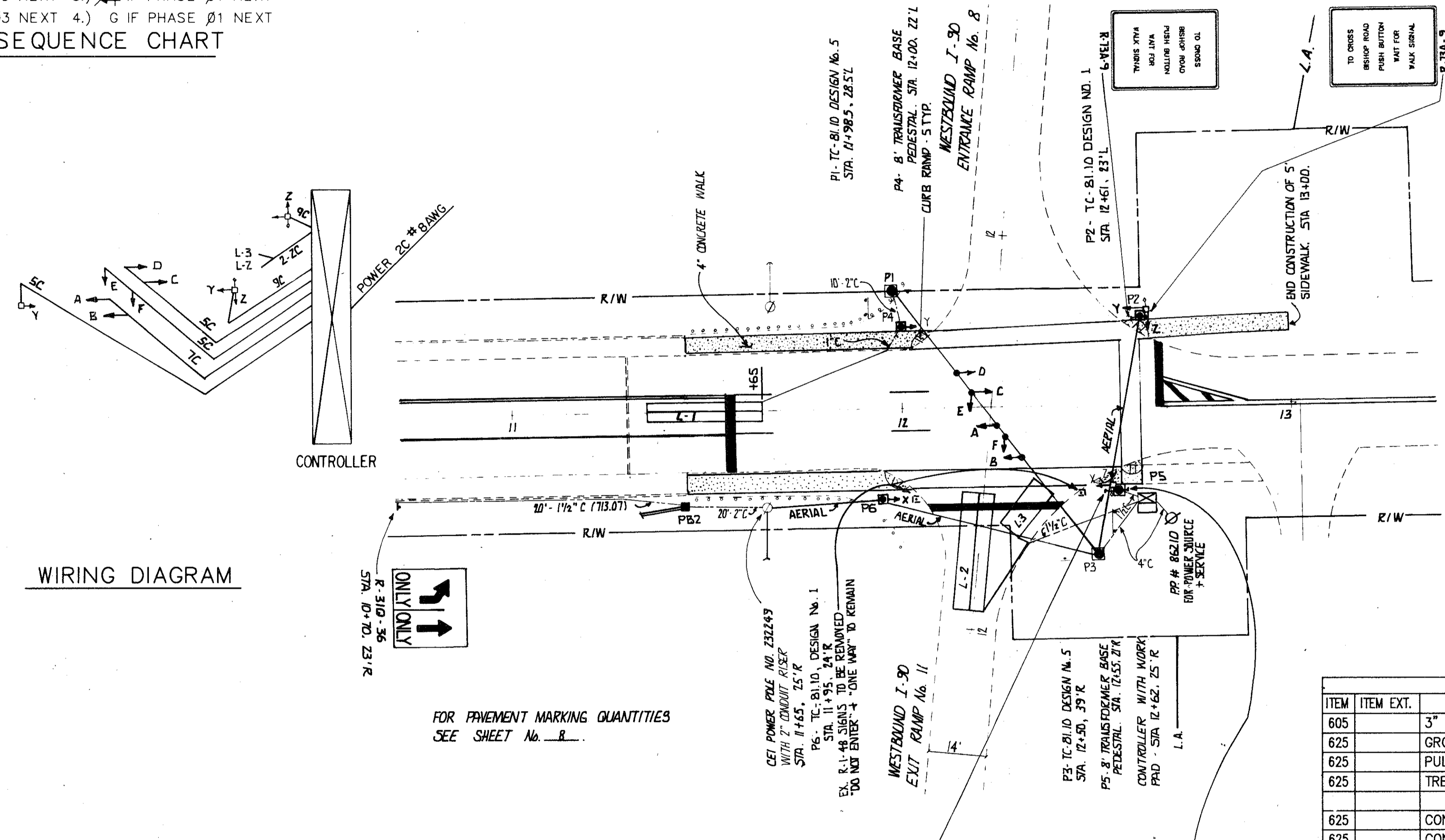


12" SIGNAL HEADS

- LEGEND**
- STRAIN POLES & PEDESTALS
 - PEDESTRIAN SIGNAL HEADS
 - PEDESTRIAN PUSHBUTTONS
 - LOOP DETECTORS
 - TRAFFIC CONTROL SIGN
 - VEHICULAR SIGNAL HEAD
 - SPAN WIRE
 - CONDUIT
 - PULL BOX
 - CONTROLLER W/ WORK PAD
 - UTILITY POLE
 - *** GUARD RAIL

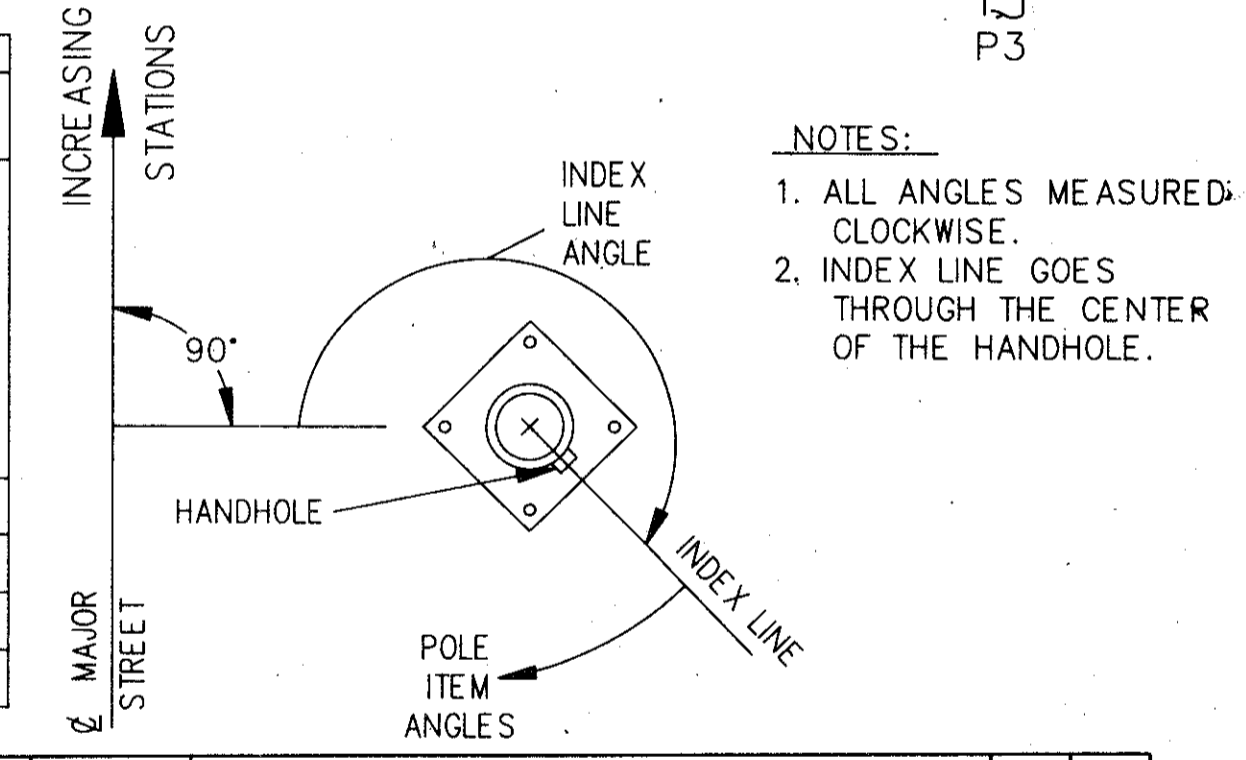
SIGNAL TIMING CHART

FUNCTION	Ø1	Ø2	Ø3
INITIAL GREEN	—	120	120
MINIMUM GREEN	30.0	—	—
VEHICLE EXTENSION	—	3.0	4.0
MAXIMUM GREEN I	—	20.0	20.0
MAXIMUM GREEN II	—	40.0	40.0
PEDESTRIAN WALK	7.0	—	7.0
PEDESTRIAN CLEARANCE	10.0	—	8.0
VEHICLE YELLOW CLEARANCE	3.0	3.0	3.0
RECALL	ON	OFF	OFF
MEMORY	ON	OFF	OFF



TYPE TC-81.10 STRAIN POLE

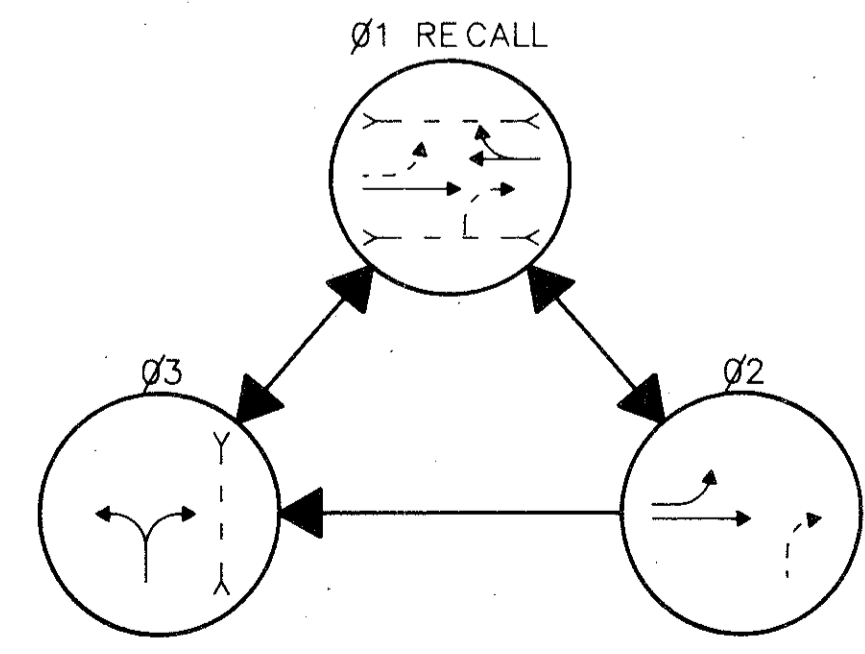
POLE NO.	DESIGN NO.	POLE HEIGHT (FT.)	INDEX LINE ANGLE (DEGREES)	PEDESTRIAN SIGNALS	PEDESTRIAN PUSHBUTTONS	CABLE ENTRANCE (12" FROM TOP)	2" CAPPED CONDUIT ELL (FUTURE USE)
P1	5	30	180°	—	—	143°	
P2	1	20	270°	307°	—	101°	
P3	5	30	90°	—	—	233°	
P6	1	20	180°	270°	—	286°	



- NOTES:**
- ALL ANGLES MEASURED CLOCKWISE.
 - INDEX LINE GOES THROUGH THE CENTER OF THE HANDHOLE.

LOOP DETECTOR CHART

LOOP	SIZE	TURNS	MODE	DELAY	PHASE	REMARK	DELAY INHIBITED
L-1	6X30	2-4-2	PRESENCE	8.0	Ø2	QUADRAPOLE	Ø2
L-2	8X30	2-4-2	PRESENCE	5.0	Ø3	QUADRAPOLE	Ø3
L-3	6X15	3	PRESENCE	10.0	Ø3		Ø3



SUB SUMMARY

ITEM	ITEM EXT.	DESCRIPTION	QTY	UNIT
605		3" SHALLOW PIPE UNDERDRAIN	15	L.F.
625		GROUND ROD	7	EA.
625		PULL BOX, 713.08, 18"	1	EA.
625		TRENCH	111	L.F.
625		CONDUIT, 713.04, 1 1/2"	35	L.F.
625		CONDUIT, 713.07, 1 1/2"	20	L.F.
625		CONDUIT, 713.04, 2"	30	L.F.
625		CONDUIT, 713.04, 4"	20	L.F.
630		SIGN SUPPORT ASSEMBLY, BRIDGE MOUNTED	1	EA.
630		SIGNS, FLAT SHEET, TYPE G	9.0	S.F.
630		REMOVAL OF GROUND MOUNTED SIGNS	2	EA.
632		VEHICULAR SIGNAL HEAD, 3-SECTION, 12" LENS, 1-WAY, AS PER PLAN	3	EA.
632		VEHICULAR SIGNAL HEAD, 3-SECTION, 12" LENS, 2-WAY, AS PER PLAN	1	EA.
632		VEHICULAR SIGNAL HEAD, 5-SECTION, 12" LENS, 1-WAY, AS PER PLAN	1	EA.
632		PEDESTRIAN SIGNAL HEAD, TYPE D2, AS PER PLAN	6	EA.
632		PEDESTRIAN PUSHBUTTON	2	EA.
632		LOOP DETECTOR UNIT, DELAY & EXTEND, AS PER PLAN	3	EA.
632		LOOP DETECTOR PAVEMENT CUTTING	310	L.F.
632		CONCRETE FOR ANCHOR BASE FOUNDATION	8.1	C.Y.
632		STRAIN POLE, TYPE TC-81.10, DESIGN NO. 1	2	EA.
632		STRAIN POLE, TYPE TC-81.10, DESIGN NO. 5	2	EA.
632		CABLE SUPPORT ASSEMBLY	4	EA.

ITEM	ITEM EXT.	DESCRIPTION	QTY	UNIT
632		MESSENGER WIRE, 7-STRAND, 3/8" DIA. WITH ACCESSORIES	205	L.F.
632		SIGNAL CABLE, 5-CONDUCTOR, NO. 14 AWG	397	L.F.
632		SIGNAL CABLE, 7-CONDUCTOR, NO. 14 AWG	109	L.F.
632		SIGNAL CABLE, 9-CONDUCTOR, NO. 14 AWG	174	L.F.
632		PEDESTAL, 8 FEET, TRANSFORMER BASE	2	EA.
632		CONDUIT RISER, 2" DIA.	2	EA.
632		LOOP DETECTOR WIRE TYPE "E"	974	L.F.
632		LOOP DETECTOR LEAD-IN CABLE	183	L.F.
632		POWER CABLE, 2-CONDUCTOR NO. 8 AWG	40	L.F.
632		POWER SERVICE	1	EA.
632		COVERING OF VEHICULAR SIGNAL HEADS	6	EA.
633		CONCRETE FOR CABINET FOUNDATION	1	C.Y.
633		CONTROLLER, ACTUATED, 3 PHASE, SOLID STATE DIGITAL, MICROPROCESSOR, AS PER PLAN	1	EA.
633		COORDINATOR, SOLID STATE, MASTER, W/ WEEKLY PROGRAMMER, SEPARATE UNIT TYPE	1	EA.
633		CONTROLLER WORK PAD	8.3	S.F.
608		4" CONCRETE WALK	875	S.F.
608		CURB RAMPS	5	EA.

THESE QUANTITIES HAVE BEEN CARRIED TO THE GENERAL SUMMARY SEE SHEET No. 5