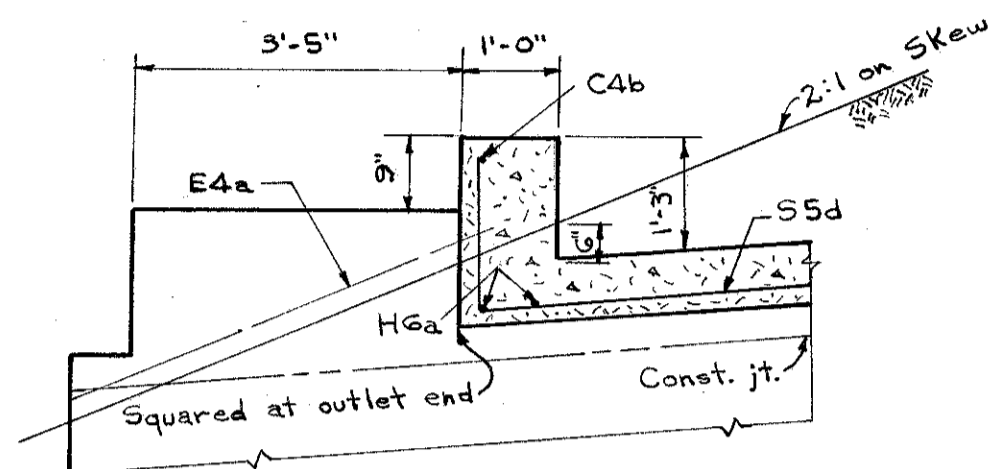
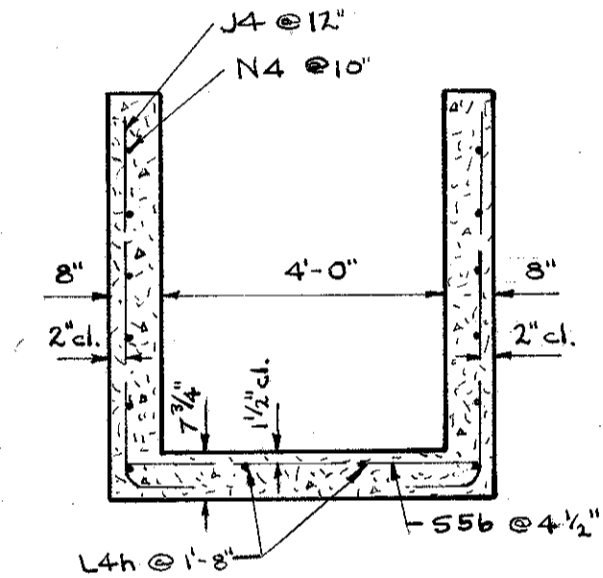


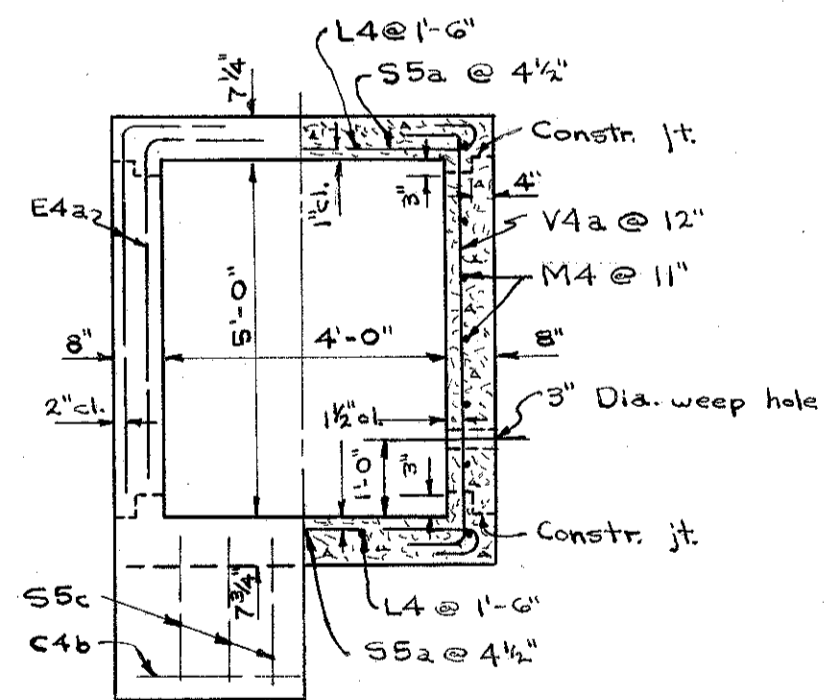
SECTION A-A



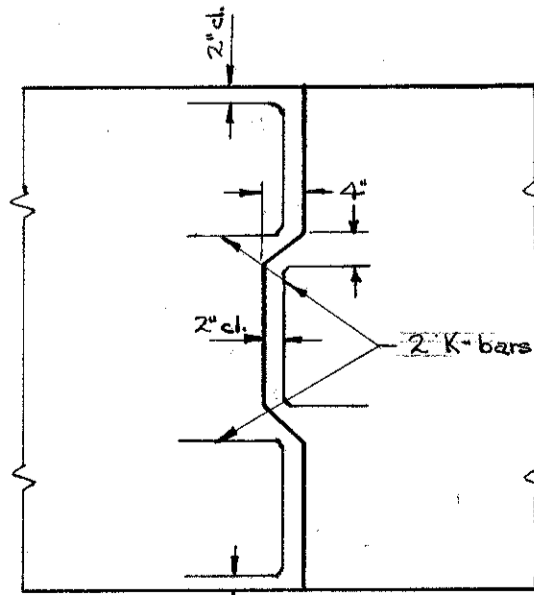
SECTION B-B



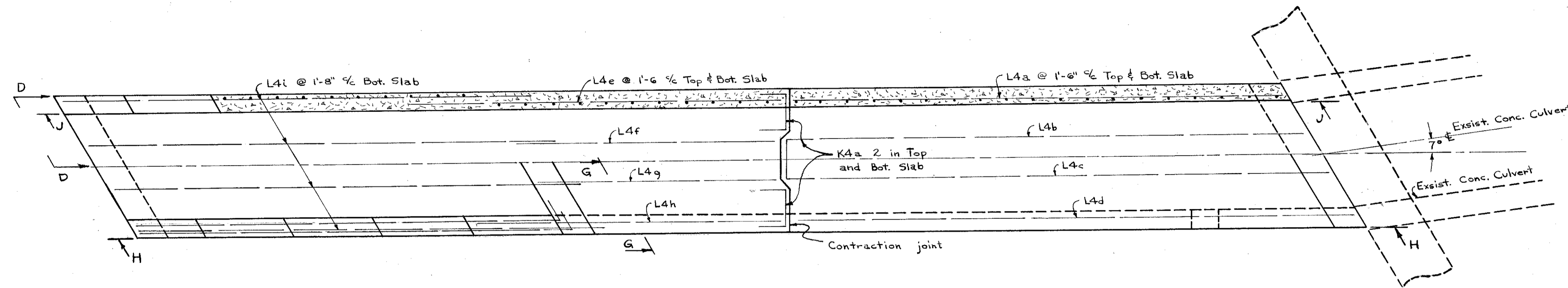
SECTION F-F



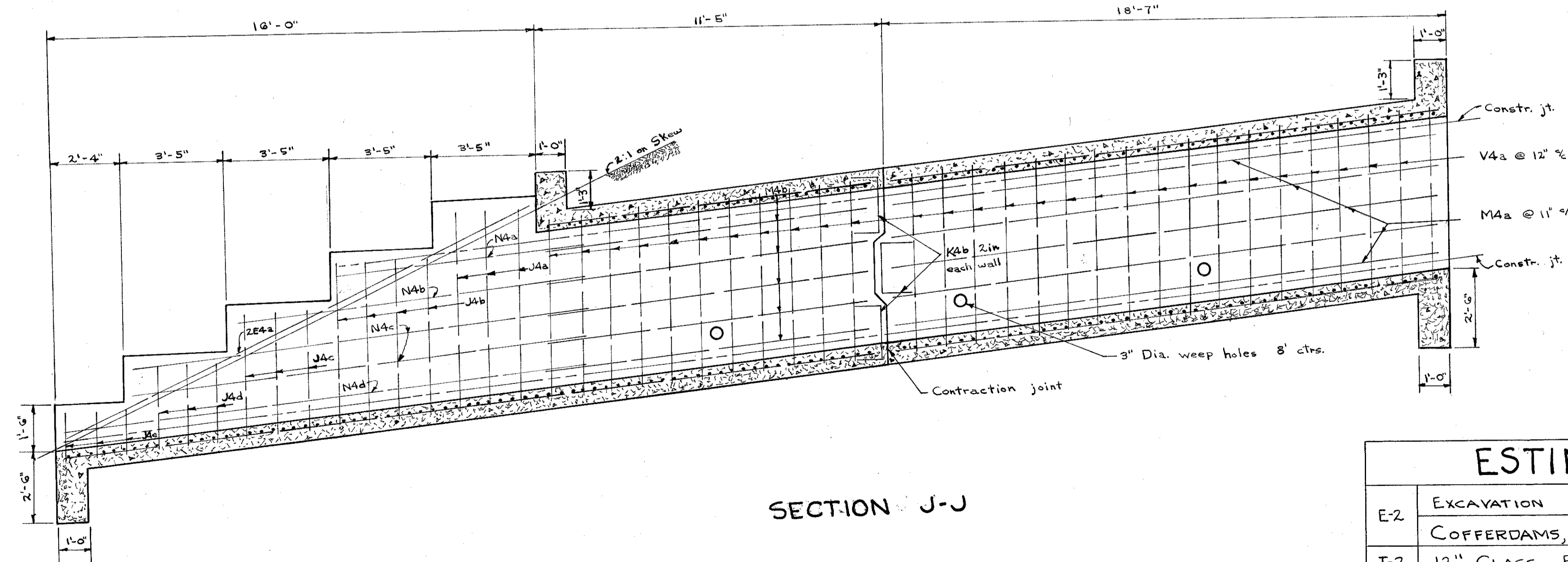
VIEW D-D SECTION G-G



DETAIL OF CONTRACTION JOINT



PART PLAN & HORIZONTAL SECTION  
WEST EXTN.



SECTION J-J

ESTIMATED QUANTITIES

E-2	EXCAVATION FOR STRUCTURE	20	Cu. Yds.
	COFFERDAMS, CRIBS & SHEETING	LUMP	SUM
I-2	12" CLASS B STORM SEWERS Sec. M-G.4c	20	Lin. Ft.
I-5	12" PIPE SPECIALS 90° Sec. M-G.4c	2	EA.
S-1	CONCRETE FOR STRUCTURE, CLASS C	21.60	Cu. Yds.
S-4	REINFORCING STEEL	246954	LBS.
S-22	REMOVE & DISPOSE PORTION of EXIST. STRUCTURE	LUMP	SUM
S-23	DOWEL HOLES	24	EA.