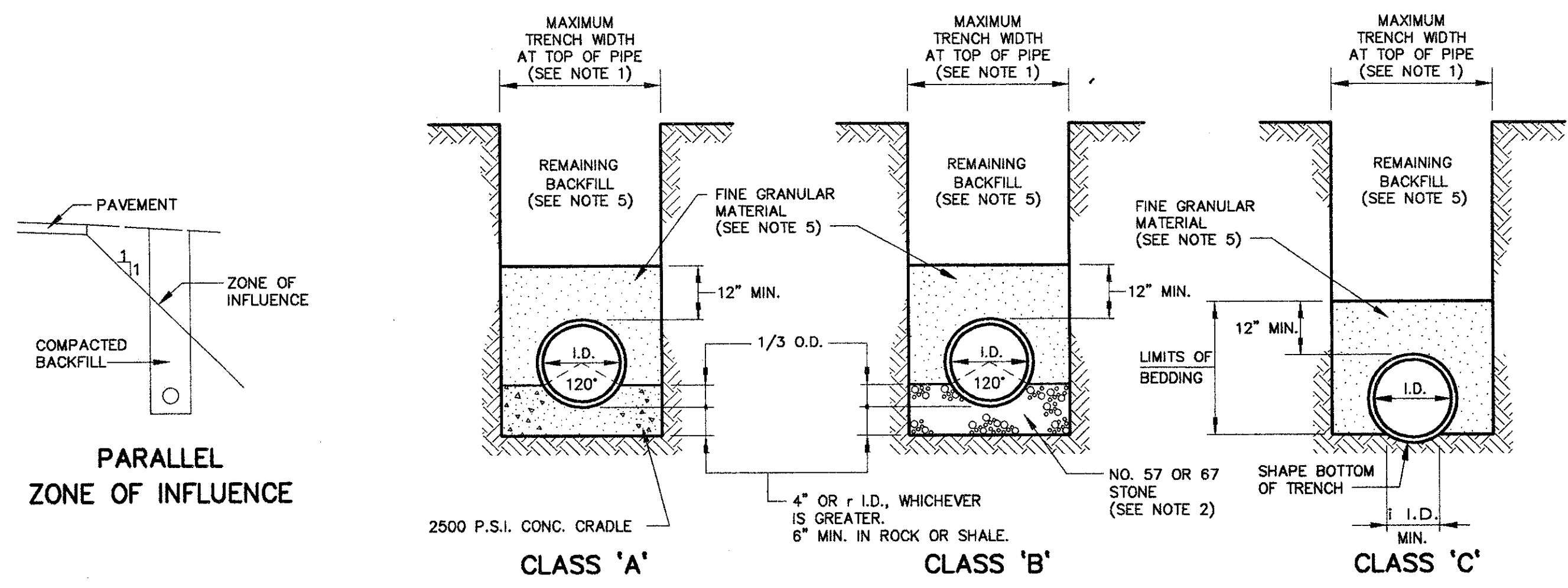


SUBMISSIONS / REVISIONS

VINE STREET (S.R. 640) ROADWAY  
WIDENING IMPROVEMENTS  
CITIES OF WILLOWICK & EASTLAKE, LAKE COUNTY, OHIO  
**MISCELLANEOUS DETAILS**

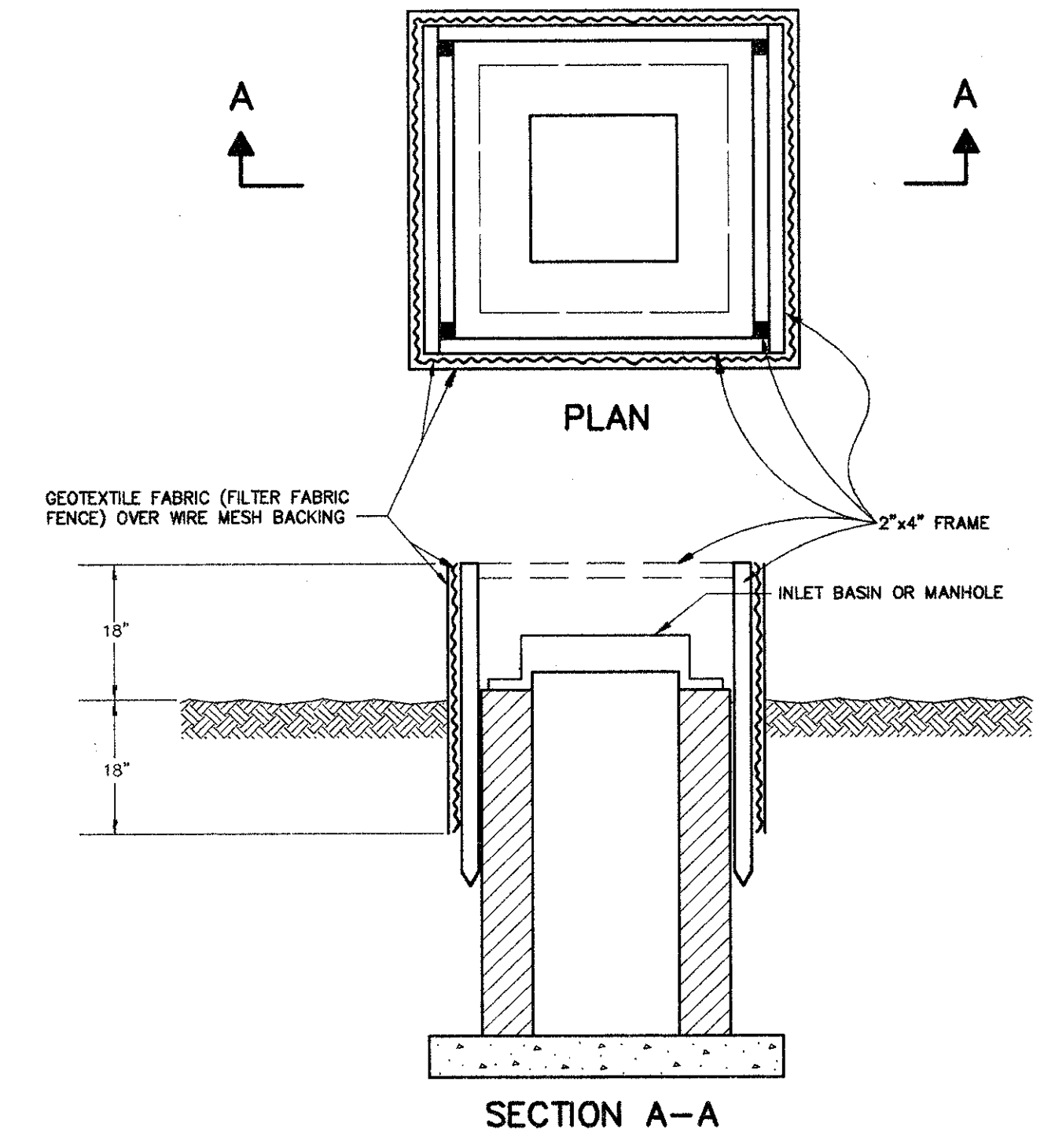
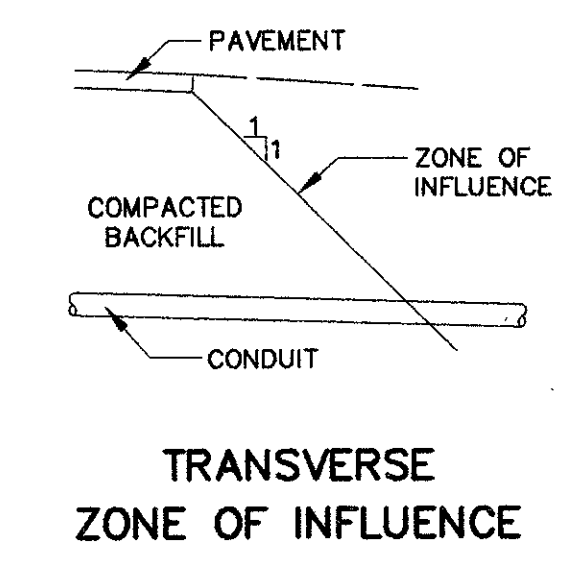
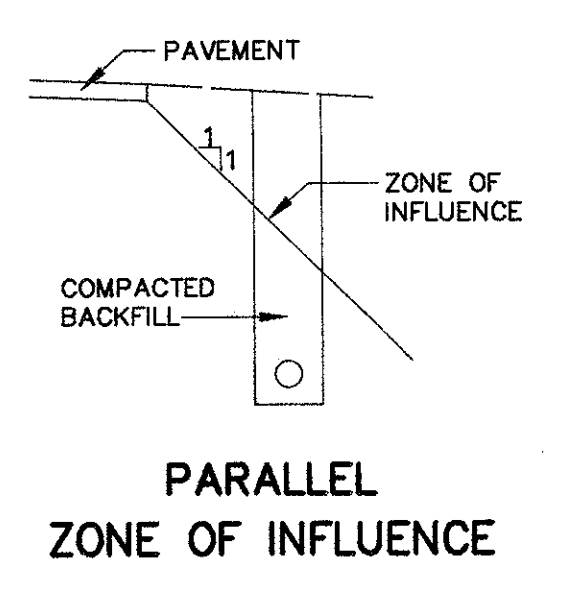
**CT Consultants, Inc.**  
Engineers • Architects • Planners  
Willoughby • Mentor • Columbus • North Canton • Youngstown

DATE:	JANUARY, 2000
DRAWN BY:	J.J.G.
CHECKED BY:	C.C.H.
APPROVED BY:	
SCALE:	N.T.S.
HOR.:	N.T.S.
VERT.:	
CONTRACT NO.	9840624
SHEET NO.	OF
41	52

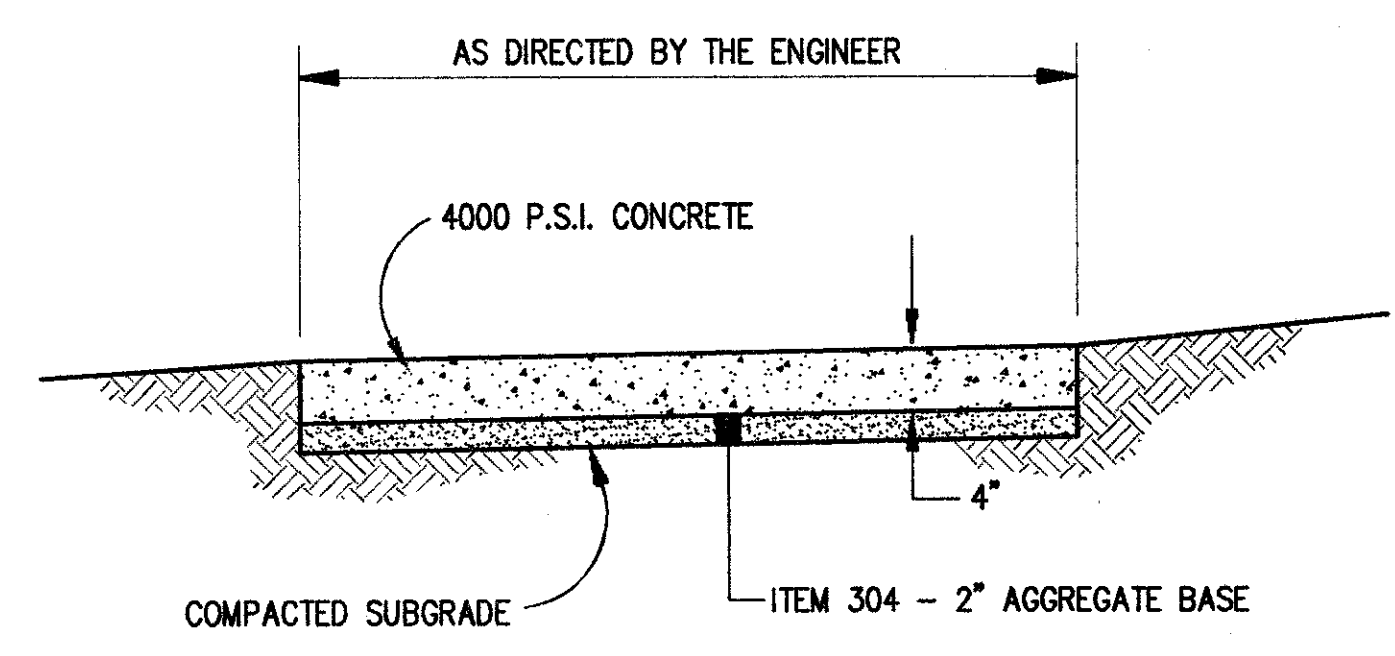


- NOTES:
1. MAXIMUM TRENCH WIDTH AT TOP OF PIPE SHALL BE O.D.+ 24" FOR ALL PIPES UP TO AND INCLUDING 24" I.D.; O.D.+ 30" FOR PIPE LARGER THAN 24" I.D. TO 54" I.D. AND O.D.+ 48" FOR PIPE SIZES 60" AND OVER.
  2. PIPE BEDDING SHALL BE NO. 57 OR NO. 67 STONE.
  3. ALL BEDDING SHALL BE CLASS 'B' UNLESS OTHERWISE NOTED ON THE PLANS OR AUTHORIZED BY THE ENGINEER. CLASS 'A' BEDDING SHALL BE USED FOR ALL PIPE UNDER PAVED AREAS WITH LESS THAN 18" COVER TO PAVEMENT SUBGRADE.
  4. WATERLINE BEDDING SHALL BE CLASS 'C'.
  5. a) PIPE BACKFILL UNDER EXISTING OR PROPOSED PAVEMENT, STRUCTURES OR WITHIN A 1:1 ZONE OF INFLUENCE PARALLEL OR TRANSVERSE TO PAVEMENT AND STRUCTURES SHALL BE NO. 57 OR NO. 67 STONE TO 12" ABOVE TOP OF PIPE. REMAINING TRENCH BACKFILL UNDER EXISTING OR PROPOSED PAVEMENT AND STRUCTURES OR WITHIN A 1:1 ZONE OF INFLUENCE PARALLEL OR TRANSVERSE TO EXISTING OR PROPOSED PAVEMENT AND STRUCTURES SHALL BE O.D.O.T. ITEM 304 STONE, ITEM 310 STONE, NO. 57 OR NO. 67 STONE TO TOP OF TRENCH. IF ITEMS 304 OR 310 ARE USED, PIPE BACKFILL SHALL BE TAMPED IN 4" LIFTS COMPACTED TO 98% OF MAXIMUM DRY DENSITY PER STANDARD PROCTOR (ASTM D698).  
b) IN AREAS OUTSIDE PAVEMENT, STRUCTURES OR THE 1:1 ZONE OF INFLUENCE, SELECT FRIABLE ON-SITE MATERIAL APPROVED BY THE ENGINEER MAY BE USED FOR R.C.P. AND D.I.P.; NO. 57 OR NO. 67 STONE SHALL BE USED FOR V.C.P. AND THERMOPLASTIC PIPE TO 12" ABOVE TOP OF PIPE. FOR REMAINDER OF TRENCH BACKFILL, SELECT FRIABLE ON-SITE MATERIAL APPROVED BY THE ENGINEER MAY BE USED.
  6. SLAG SHALL NOT BE USED FOR BEDDING OR BACKFILL.
  7. CLAY DAMS SHALL BE REQUIRED WHEN AND WHERE NECESSARY PER PLAN OR AS DIRECTED BY THE ENGINEER.
  8. ALL UTILITY CROSSINGS UNDER THE PROPOSED STORM SEWER SHALL BE PROPERLY BACKFILLED PER CITY STANDARDS.

TRENCH & BEDDING DETAILS



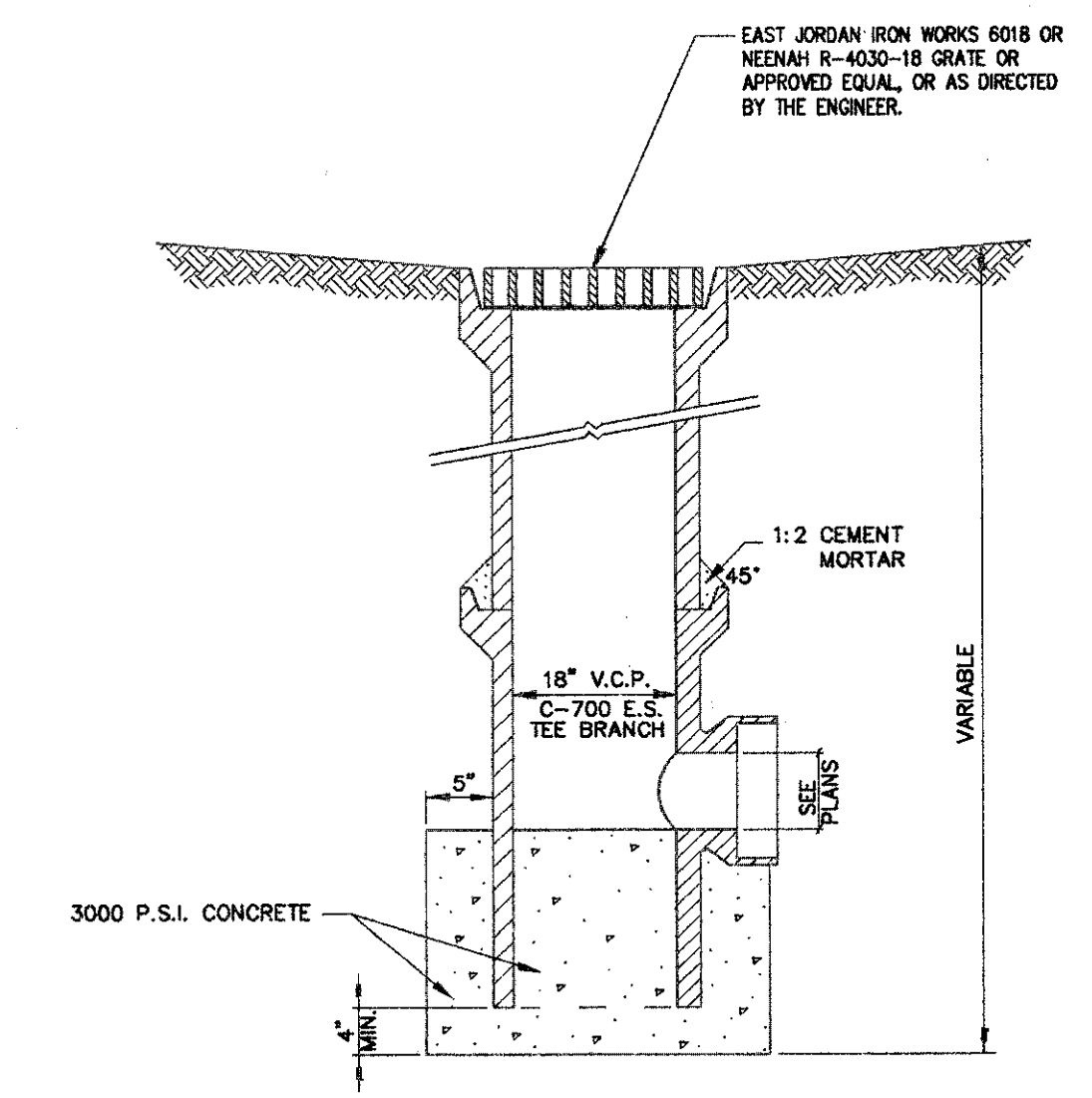
FILTER FABRIC FENCE EROSION CONTROL FOR INLET BASINS AND MANHOLES



NOTE: WALK TO BE DIVIDED INTO EQUALLY SPACED BLOCKS AT APPROXIMATELY 5' INTERVALS. EXPANSION JOINT FILLER 1/2" THICK SHALL BE INSTALLED BETWEEN WALK AND ANY FIXED STRUCTURE EXTENDING FOR THE FULL DEPTH OF THE SIDEWALK. THE EXPANSION JOINT FILLER SHALL BE 1/2" THICK WHERE WALK IS INSTALLED AGAINST BACK OF CURB.

TYPICAL SIDEWALK DETAIL

(NOTE: THE COST OF THE SUBGRADE COMPACTION AND THE 2" AGGREGATE BASE SHALL BE INCLUDED IN THE UNIT PRICE BID FOR ITEM 608 - CONCRETE WALK)



YARD DRAIN

COPYRIGHT - DATE: 01-04-00 06:18, CT CONSULTANTS INC. H:\1998\SR640\DWG\SR640SD.DWG, PLOT:1-20