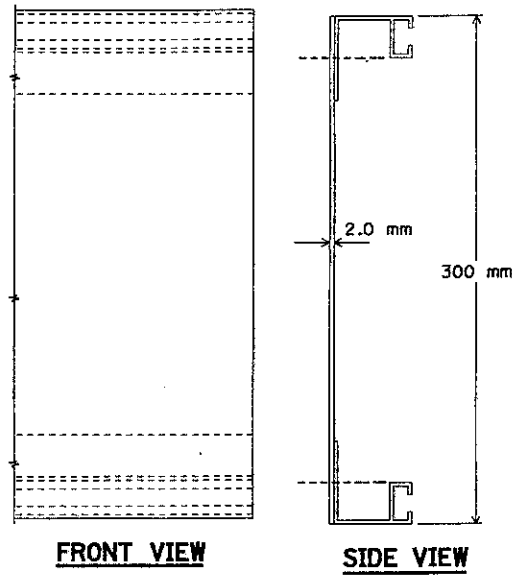
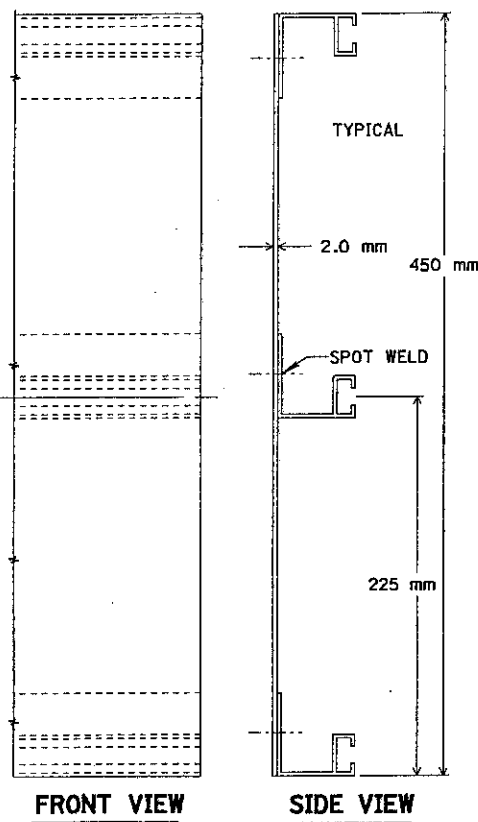


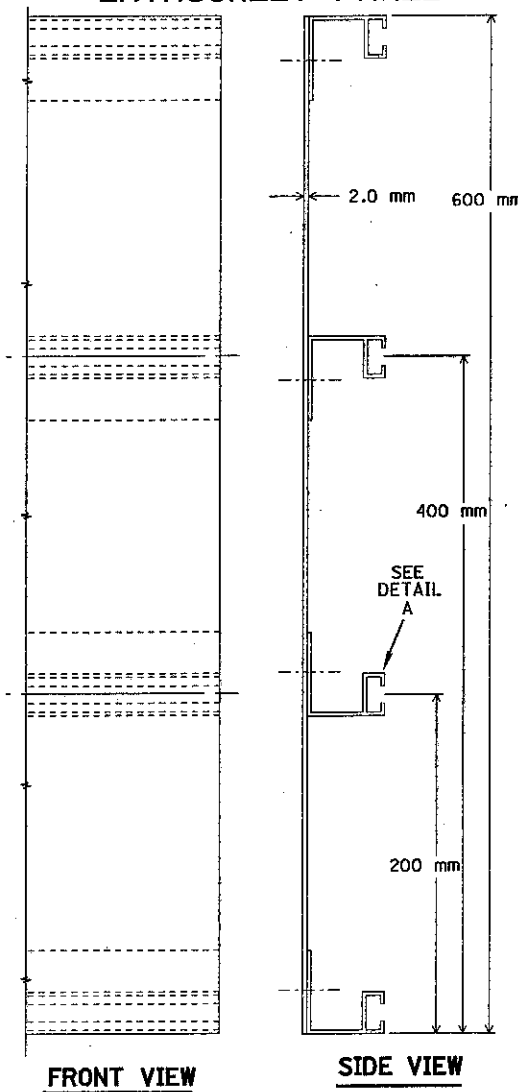
**300 mm BOLTED EXTRUSHEET PANEL**



**450 mm BOLTED EXTRUSHEET PANEL**

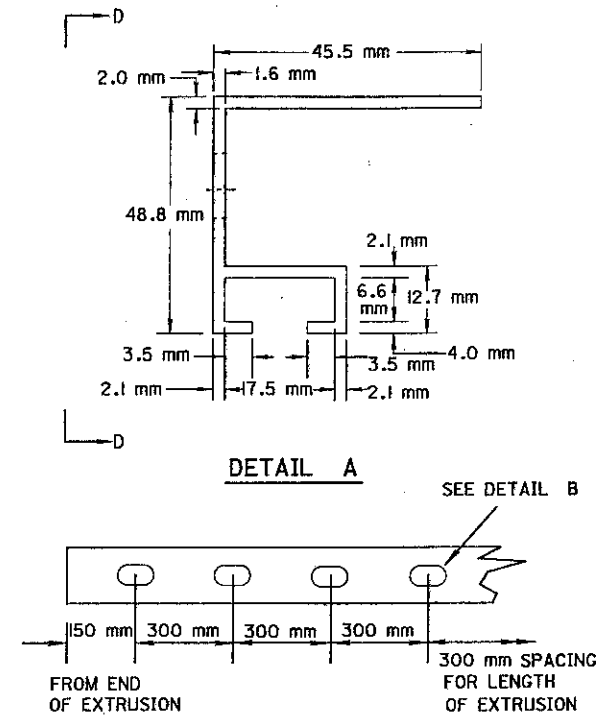


**600 mm BOLTED EXTRUSHEET PANEL**

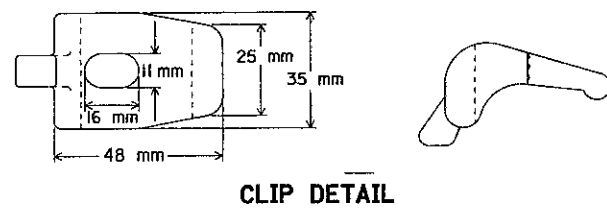
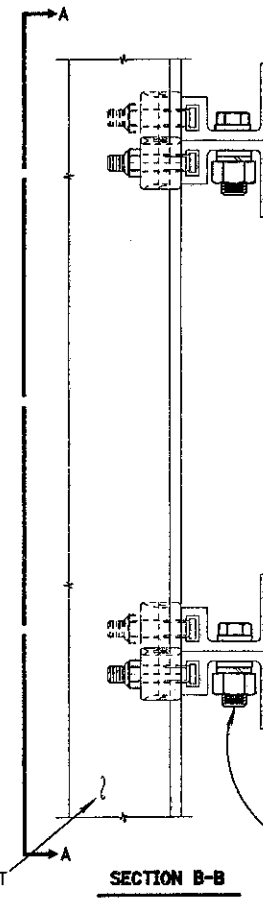
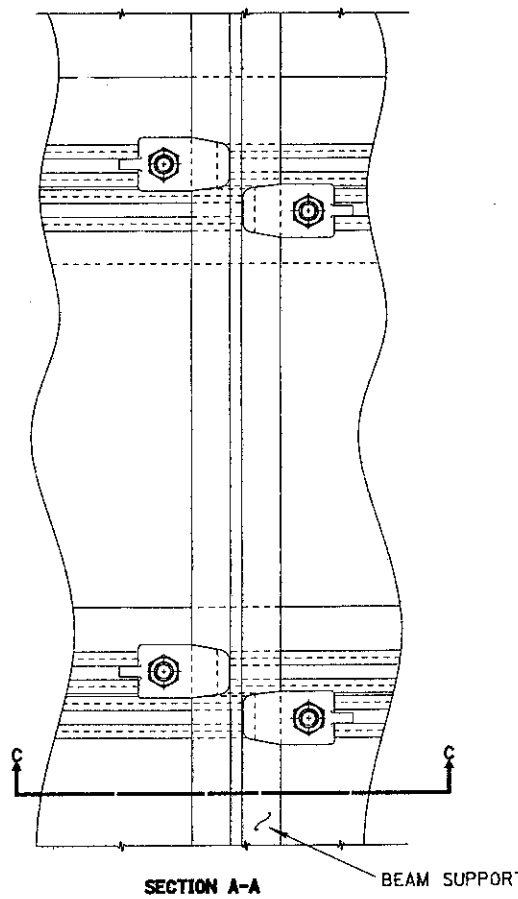


**NOTES**

1. COMBINATIONS OF 300 mm, 450 mm AND 600 mm PANELS SHOULD BE USED TO ATTAIN REQUIRED SIGN HEIGHT. 750 mm, 900 mm, 1050 mm, 1200 mm PANEL HEIGHTS ARE ALLOWED, BUT THEIR USE IS NOT REQUIRED.
2. THE PANELS SHALL BE ERECTED HORIZONTALLY AND BOLTED ON 600 mm CENTERS.
3. THE PANELS SHALL BE FASTENED TO EACH VERTICAL SUPPORT MEMBER WITH MOUNTING CLIPS; ALTERNATELY AT EACH HORIZONTAL EXTRUSION; BOTH SIDES AT EACH JOINT, AND BOTH SIDES AT TOP AND BOTTOM EDGES OF SIGNS.
4. FOR THE 150 mm GLARE SHIELD EXTRUSHEET PANEL, CHANGE THE 300 mm DIMENSION IN THE 300 mm BOLTED EXTRUSHEET PANEL DETAIL TO 150 mm. ALL OTHER DETAILS ARE THE SAME.
5. SPOT WELDS SHALL BE SPACED AT A MAXIMUM OF 100 mm CENTER TO CENTER.



PANEL HEIGHT (MILLIMETERS)	NO. OF STIFFENERS
150	2
300	2
450	3
600	4
750	4
900	5
1050	6
1200	7

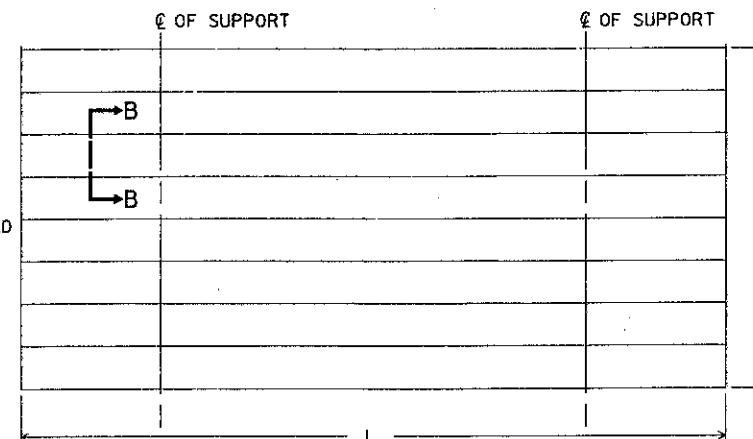


10 mm-1.6 mm PER THREAD X 45 mm LONG ALUM. BOLT SQUARE HEAD 16 mm X 16 mm X 4.8 mm OR RECTANGULAR HEAD 25 mm X 16 mm X 4.8 mm

SELF ALIGNING ALUMINUM MOUNTING CLIP 11 mm X 16 mm SLOT.

10 mm-1.6 mm PER THREAD X 19 mm LONG ALUM. BOLT, NUT, TWO FLAT WASHERS & LOCKWASHER ON 600 mm CENTERS

STAINLESS STEEL HEX STOP NUT



**GENERAL ARRANGEMENT**

METRIC

BUREAU OF DESIGN SERVICES  
DIVISION OF HIGHWAYS  
OHIO DEPARTMENT OF TRANSPORTATION

TRAFFIC CONTROL DATE  
09/30/94

ALUMINUM BOLTED-EXTRUSHEET  
PANEL SIGN

STANDARD CONSTRUCTION DRAWING TC-51.11M

APPROVED: *[Signature]* ENGR. OF DESIGN SERVICES