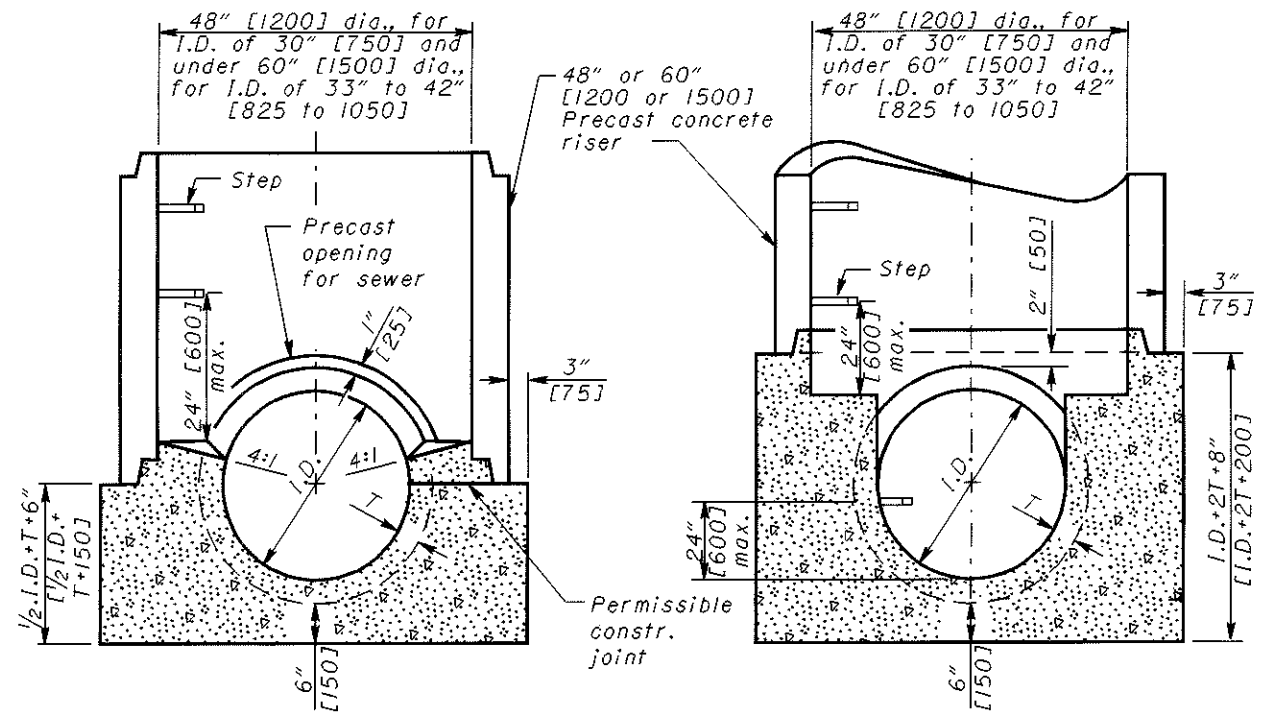


PLAN VIEW



MANHOLE BASE ON SEWER 42" [1050] AND UNDER

NOTES

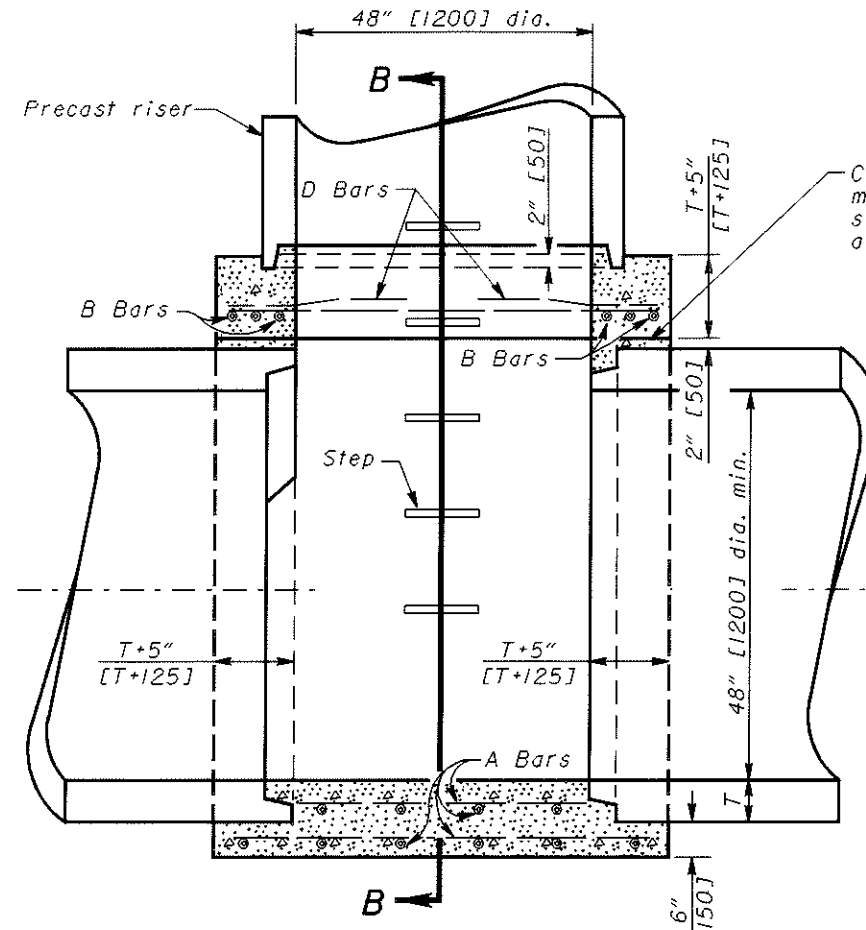
MANHOLE: Manhole No. 5 shall consist of a base or bottom as detailed hereon and other manhole components as detailed or specified on **SCD MH-1.2.**

In lieu of the tongue and groove junction between the riser and the base, the base may have a flat surface and the riser may have a square end set in a bed of mortar on the base.

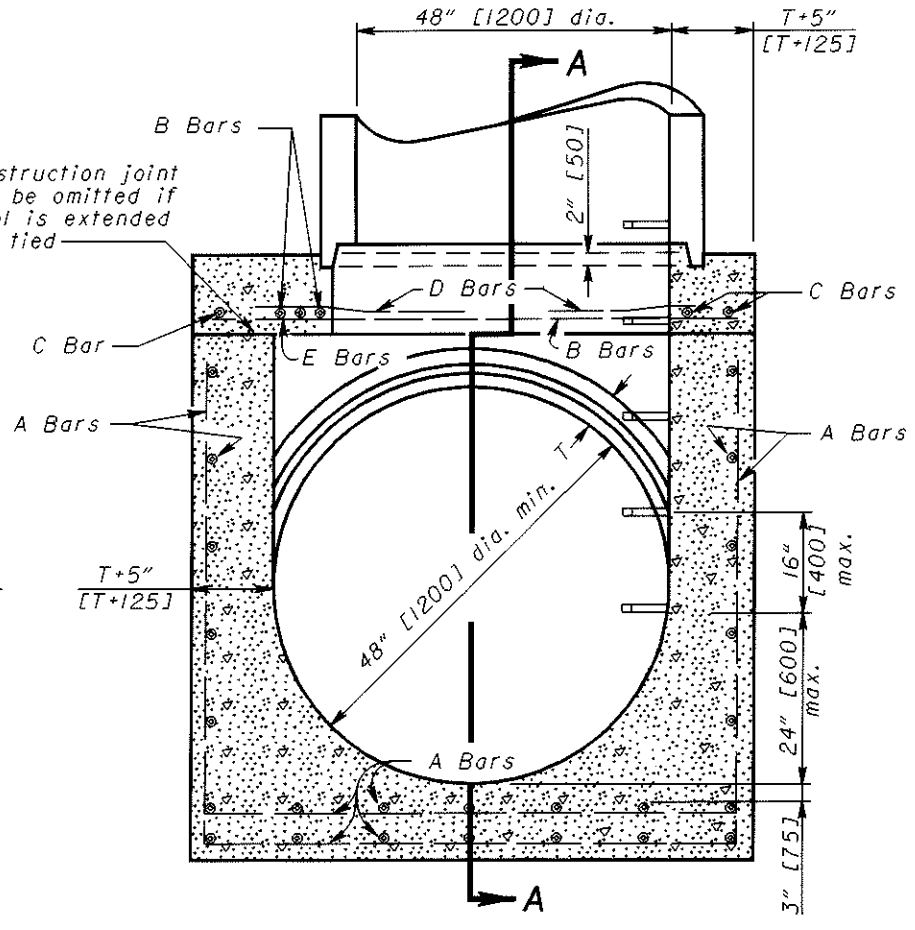
OPENINGS: Openings for 42" [1050] and under inlet and outlet sewer pipes shall be prefabricated in the riser section unless the base is built to an elevation 2" [50] above the manhole top of the inlet and outlet pipes.

CONCRETE: Concrete for the bases may be Class C or meet the requirements of CMS 706.13. The bases may be precast or cast in place. If precast, the base on sewers 42" [1050] and under shall have sufficient steel reinforcement to permit shipping and placement without damage to the base. The base on sewers 48" [1200] and over shall be reinforced as shown.

STEPS: Steps shall comply with the requirements set forth on **SCD MH-1.1.**



SECTION A-A



SECTION B-B

MANHOLE BASE ON SEWER 42" [1200] AND OVER

T = Wall thickness of intercepting sewer pipe

REINFORCING STEEL LIST				
BAR	SPACING	BAR SIZES FOR SEWERS		
		48" to 60" [1200 to 1500]	66" to 78" [1650 to 1950]	84" to 96" [2100 to 2400]
A	12" [300] c/c bothways	#5 [#16M]	#6 [#19M]	#7 [#22M]
B	3" [75] c/c bothways	#5 [#16M]	#6 [#19M]	#7 [#22M]
C	as shown	#5 [#16M]	#6 [#19M]	#7 [#22M]
D	as shown	#5 [#16M]	#5 [#16M]	#5 [#16M]
E	12" [300] c/c	#5 [#16M]	#5 [#16M]	#5 [#16M]

Included for estimating purposes only. The cost of furnishing and placing all reinforcing steel shall be included in Item 604 for payment.

THIS DRAWING REPLACES MH-1.3M DATED 9-6-95.

ROADWAY ENGINEERING SERVICES
 STANDARD ROADWAY CONSTRUCTION DRAWING
 MANHOLE No. 5
 NUMBER MH-1.3
 REVISIONS
 STDS. ENGR. D. Focke
 DRAWN D. Focke
 CIVIL DEPARTMENT OF TRANSPORTATION
 DATE 7-20-01
 ROADWAY DESIGN ENGINEER